

Clavinova®

Owner's Manual
Mode d'emploi

CLP-785
CLP-775
CLP-745
CLP-735
CLP-795GP
CLP-765GP

Thank you for purchasing this Yamaha Digital Piano!
This instrument provides exceptionally high-quality sound and expressive control for your playing enjoyment. In order to make the most of your Clavinova's performance potential and features, please read this Owner's Manual thoroughly, and keep it in a safe place for later reference.
Before using the instrument, be sure to read "PRECAUTIONS" on pages 4–6.
For information on assembling the instrument, refer to the instructions at the end of this manual.

Merci d'avoir choisi ce piano numérique de Yamaha !
Cet instrument offre une qualité de son et une expressivité exceptionnelles pour votre plus grand plaisir. Afin d'exploiter votre Clavinova au maximum de ses performances et de ses fonctions, lisez entièrement ce mode d'emploi et conservez-le afin de pouvoir le consulter ultérieurement.
Avant d'utiliser l'instrument, lisez attentivement la section « PRÉCAUTIONS D'USAGE » aux pages 4–6.
Pour plus d'informations sur l'assemblage de l'instrument, reportez-vous aux instructions figurant à la fin de ce manuel.

FCC INFORMATION (U.S.A.)

1. IMPORTANT NOTICE: DO NOT MODIFY THIS UNIT!

This product, when installed as indicated in the instructions contained in this manual, meets FCC requirements. Modifications not expressly approved by Yamaha may void your authority, granted by the FCC, to use the product.

2. IMPORTANT:

When connecting this product to accessories and/or another product use only high quality shielded cables. Cable/s supplied with this product MUST be used. Follow all installation instructions. Failure to follow instructions could void your FCC authorization to use this product in the USA.

3. NOTE:

This product has been tested and found to comply with the requirements listed in FCC Regulations, Part 15 for Class "B" digital devices. Compliance with these requirements provides a reasonable level of assurance that your use of this product in a residential environment will not result in harmful interference with other electronic devices. This equipment generates/uses radio frequencies and, if not installed and used according to the instructions found in the users manual, may cause interference harmful to the operation of other electronic devices. Compliance with FCC regulations

does not guarantee that interference will not occur in all installations. If this product is found to be the source of interference, which can be determined by turning the unit "OFF" and "ON"; please try to eliminate the problem by using one of the following measures:

Relocate either this product or the device that is being affected by the interference.

Utilize power outlets that are on different branch (circuit breaker or fuse) circuits or install AC line filter/s.

In the case of radio or TV interference, relocate/reorient the antenna. If the antenna lead-in is 300 ohm ribbon lead, change the lead-in to co-axial type cable.

If these corrective measures do not produce satisfactory results, please contact the local retailer authorized to distribute this type of product. If you can not locate the appropriate retailer, please contact Yamaha Corporation of America, Electronic Service Division, 6600 Orangethorpe Ave, Buena Park, CA90620

The above statements apply ONLY to those products distributed by Yamaha Corporation of America or its subsidiaries.

* This applies only to products distributed by YAMAHA CORPORATION OF AMERICA.

(class B)

COMPLIANCE INFORMATION STATEMENT (Supplier's declaration of conformity procedure)

Responsible Party : Yamaha Corporation of America

Address : 6600 Orangethorpe Ave., Buena Park, Calif. 90620

Telephone : 714-522-9011

Type of Equipment : Digital Piano

Model Name : CLP-785, CLP-775, CLP-745, CLP-735, CLP-795GP, CLP-765GP

This device complies with Part 15 of the FCC Rules.

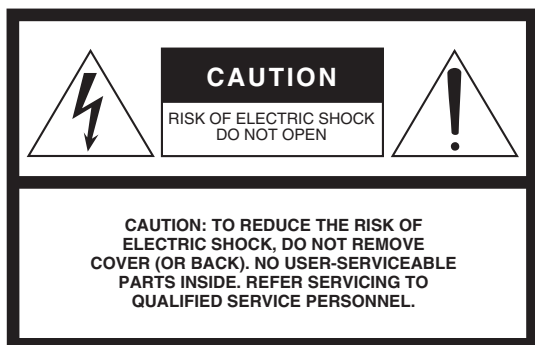
Operation is subject to the following two conditions:

1) this device may not cause harmful interference, and

2) this device must accept any interference received including interference that may cause undesired operation.

* This applies only to products distributed by Yamaha Corporation of America.

(FCC SDoC)



Explanation of Graphical Symbols



The lightning flash with arrowhead symbol within an equilateral triangle is intended to alert the user to the presence of uninsulated “dangerous voltage” within the product’s enclosure that may be of sufficient magnitude to constitute a risk of electric shock to persons.



The exclamation point within an equilateral triangle is intended to alert the user to the presence of important operating and maintenance (servicing) instructions in the literature accompanying the product.

IMPORTANT SAFETY INSTRUCTIONS

- 1 Read these instructions.
- 2 Keep these instructions.
- 3 Heed all warnings.
- 4 Follow all instructions.
- 5 Do not use this apparatus near water.
- 6 Clean only with dry cloth.
- 7 Do not block any ventilation openings. Install in accordance with the manufacturer’s instructions.
- 8 Do not install near any heat sources such as radiators, heat registers, stoves, or other apparatus (including amplifiers) that produce heat.
- 9 Do not defeat the safety purpose of the polarized or grounding-type plug. A polarized plug has two blades with one wider than the other. A grounding type plug has two blades and a third grounding prong. The wide blade or the third prong are provided for your safety. If the provided plug does not fit into your outlet, consult an electrician for replacement of the obsolete outlet.
- 10 Protect the power cord from being walked on or pinched particularly at plugs, convenience receptacles, and the point where they exit from the apparatus.
- 11 Only use attachments/accessories specified by the manufacturer.
- 12 Use only with the cart, stand, tripod, bracket, or table specified by the manufacturer, or sold with the apparatus. When a cart is used, use caution when moving the cart/apparatus combination to avoid injury from tip-over.
- 13 Unplug this apparatus during lightning storms or when unused for long periods of time.
- 14 Refer all servicing to qualified service personnel. Servicing is required when the apparatus has been damaged in any way, such as power-supply cord or plug is damaged, liquid has been spilled or objects have fallen into the apparatus, the apparatus has been exposed to rain or moisture, does not operate normally, or has been dropped.



WARNING

TO REDUCE THE RISK OF FIRE OR ELECTRIC SHOCK, DO NOT EXPOSE THIS APPARATUS TO RAIN OR MOISTURE.

(UL60065_03)

PRECAUTIONS

PLEASE READ CAREFULLY BEFORE PROCEEDING

Please keep this manual in a safe and handy place for future reference.

For the AC adaptor



WARNING

- This AC adaptor is designed for use with only Yamaha electronic instruments. Do not use for any other purpose.
- Indoor use only. Do not use in any wet environments.



CAUTION

- When setting up, make sure that the AC outlet is easily accessible. If some trouble or malfunction occurs, immediately turn off the power switch of the instrument and disconnect the AC adaptor from the outlet. When the AC adaptor is connected to the AC outlet, keep in mind that electricity is flowing at the minimum level, even if the power switch is turned off. When you are not using the instrument for a long time, make sure to unplug the power cord from the wall AC outlet.

For the instrument



WARNING

Always follow the basic precautions listed below to avoid the possibility of serious injury or even death from electrical shock, short-circuiting, damages, fire or other hazards. These precautions include, but are not limited to, the following:

Power supply/AC adaptor

- Do not place the power cord near heat sources such as heaters or radiators. Also, do not excessively bend or otherwise damage the cord, or place heavy objects on it.
- Only use the voltage specified as correct for the instrument. The required voltage is printed on the name plate of the instrument.
- Use the specified adaptor (page 136 or page 138) only. Using the wrong adaptor can result in damage to the instrument or overheating.
- Use only the supplied power cord/plug.
- Check the electric plug periodically and remove any dirt or dust which may have accumulated on it.

Do not open

- This instrument contains no user-serviceable parts. Do not open the instrument or attempt to disassemble or modify the internal components in any way. If it should appear to be malfunctioning, discontinue use immediately and have it inspected by qualified Yamaha service personnel.

Water warning

- Do not expose the instrument to rain, use it near water or in damp or wet conditions, or place on it any containers (such as vases, bottles or glasses) containing liquids which might spill into any openings. If any liquid such as water seeps into the instrument, turn off the power immediately and unplug the power cord from the AC outlet. Then have the instrument inspected by qualified Yamaha service personnel.
- Never insert or remove an electric plug with wet hands.

Fire warning

- Do not put burning items, such as candles, on the unit. A burning item may fall over and cause a fire.

Influences on electro-medical devices (if Bluetooth functionality is included)

(For information on whether Bluetooth functionality is included or not, refer to page 142.)

- Radio waves may affect electro-medical devices.
 - Do not use this product near medical devices or inside areas in which the use of radio waves is restricted.
 - Do not use this product within 15cm (6 in.) of persons with a heart pacemaker or defibrillator implant.

Using the bench (If included)

- Do not place the bench in an unstable position where it might accidentally fall over.
- Do not play carelessly with or stand on the bench. Using it as a tool or stepladder or for any other purpose might result in accident or injury.
- Only one person should sit on the bench at a time, in order to prevent the possibility of accident or injury.
- If the bench screws become loose due to extensive long-term use, tighten them periodically using the specified tool in order to prevent the possibility of accident or injury.
- Keep special watch over any small children so that they don't fall off the rear of the bench. Since the bench does not have a backrest, unsupervised use may result in accident or injury.



CAUTION

Always follow the basic precautions listed below to avoid the possibility of physical injury to you or others, or damage to the instrument or other property. These precautions include, but are not limited to, the following:

Power supply/AC adaptor

- Do not connect the instrument to an electrical outlet using a multiple-connector. Doing so can result in lower sound quality, or possibly cause overheating in the outlet.
- When removing the electric plug from the instrument or an outlet, always hold the plug itself and not the cord. Pulling by the cord can damage it.
- Remove the electric plug from the outlet when the instrument is not to be used for extended periods of time, or during electrical storms.

Assembly

- Assemble the instrument in the proper sequence by following the assembly instructions in this manual. Also, make sure to tighten the screws regularly. Failure to do so might result in damage to the instrument or even injury.

Location

- Do not place the instrument in an unstable position where it might accidentally fall over.
- Do not go near the instrument during an earthquake. Strong shaking during an earthquake could cause the instrument to move or tip over, resulting in damage to the instrument or its parts, and possibly causing injury.
- (CLP-785, CLP-775, CLP-745, CLP-735) When transporting or moving the instrument, always use two or more people. Attempting to lift the instrument by yourself may damage your back, result in other injury, or cause damage to the instrument itself.
- (CLP-795GP, CLP-765GP) Since this product is very heavy, make sure that a sufficient number of people are on hand to help, so you can lift and move it safely and easily. Attempting to lift or move the instrument by force may damage your back, result in other injury, or cause damage to the instrument itself.
- Before moving the instrument, remove all connected cables, to prevent damage to the cables or injury to anyone who might trip over them.

If you notice any abnormality

- When one of the following problems occur, immediately turn off the power switch and disconnect the electric plug from the outlet. Then have the device inspected by Yamaha service personnel.
 - The power cord or plug becomes frayed or damaged.
 - It emits unusual smells or smoke.
 - Some object has been dropped into the instrument.
 - There is a sudden loss of sound during use of the instrument.
 - If any cracks or breakages exist on the instrument.

Connections

- Before connecting the instrument to other electronic components, turn off the power for all components. Before turning the power on or off for all components, set all volume levels to minimum.
- Be sure to set the volumes of all components at their minimum levels and gradually raise the volume controls while playing the instrument to set the desired listening level.

Handling caution

- Do not insert a finger or hand in any gaps on the key cover or instrument. Also take care that the key cover does not pinch your finger.
- Never insert or drop paper, metallic, or other objects into the gaps on the key cover, panel or keyboard. This could cause physical injury to you or others, damage to the instrument or other property, or operational failure.
- (CLP-785) Do not apply excessive force when closing the key cover. A key cover equipped with the SOFT-CLOSE™ mechanism closes the cover slowly. Applying excessive force to the key cover when closing it could damage the SOFT-CLOSE™ mechanism, and possibly result in injury to your hands and fingers caught under the closing key cover.
- Do not rest your weight on, or place heavy objects on the instrument, and do not use excessive force on the buttons, switches or connectors.
- Keep small parts out of the reach of infants. Your children may accidentally swallow them.

- Do not use the instrument/device or headphones for a long period of time at a high or uncomfortable volume level, since this can cause permanent hearing loss. If you experience any hearing loss or ringing in the ears, consult a physician.

Using the bench (If included)

- For benches that can be adjusted, do not adjust the bench height while sitting on the bench, since this can cause excessive force to be imposed on the adjustment mechanism, possibly resulting in damage to the mechanism or even injury.
- Do not place your hand between moving parts. Otherwise, your hand could be pinched between the parts, possibly resulting in injury.

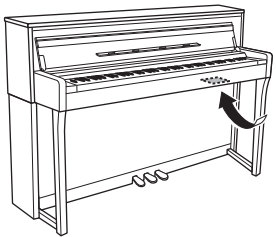
Yamaha cannot be held responsible for damage caused by improper use or modifications to the instrument, or data that is lost or destroyed.

Always turn the power off when the instrument is not in use. Even when the [ON] (Standby/On) switch is in standby status (power lamp is off), electricity is still flowing to the instrument at the minimum level. When you are not using the instrument for a long time, make sure you unplug the power cord from the wall AC outlet.

The model number, serial number, power requirements, etc., may be found on or near the name plate, which is at the bottom of the unit. You should note this serial number in the space provided below and retain this manual as a permanent record of your purchase to aid identification in the event of theft.

Model No.

Serial No.



The name plate is located on the bottom of the unit.

(bottom_en_01)

NOTICE

To avoid the possibility of malfunction/ damage to the product, damage to data, or damage to other property, follow the notices below.

■ Handling

- Do not connect this product to public Wi-Fi and/or Internet directly. Only connect this product to the Internet through a router with strong password-protections. Consult your router manufacturer for information on security best practices.
- Do not use the instrument in the vicinity of a TV, radio, stereo equipment, mobile phone, or other electric devices. Otherwise, the instrument, TV, or radio may generate noise. When you use the instrument along with an application on your smart device such as a smartphone or tablet, we recommend that you set Wi-Fi or Bluetooth to on after setting “Airplane Mode” to on on that device in order to avoid noise caused by communication.
- Do not expose the instrument to excessive dust or vibrations, or extreme cold or heat (such as in direct sunlight, near a heater, or in a car during the day) to prevent the possibility of panel disfiguration, damage to the internal components or unstable operation. (Verified operating temperature range: 5° – 40°C, or 41° – 104°F.)
- Do not place vinyl, plastic or rubber objects on the instrument, since this might discolor the panel or keyboard.
- In the case of a model with a polished finish, bumping the surface of the instrument with metal, porcelain, or other hard objects can cause the finish to crack or peel. Use caution.

■ Maintenance

- When cleaning the instrument, use a soft and dry/slightly damp cloth. Do not use paint thinners, solvents, alcohol, cleaning fluids, or chemical-impregnated wiping cloths.
- In the case of a model with a polished finish, gently remove dust and dirt with a soft cloth. Do not wipe too hard since small particles of dirt can scratch the instrument’s finish.
- During extreme changes in temperature or humidity, condensation may occur and water may collect on the surface of the instrument. If water is left, the wooden parts may absorb the water and be damaged. Make sure to wipe any water off immediately with a soft cloth.

■ Saving data

- Some of the data of this instrument (page 104) and the Song data saved to the internal memory of this instrument (page 54) are retained when the power is turned off. However, the saved data may be lost due to some failure, an operation mistake, etc. Save your important data onto USB flash drive or an external device such as a computer (page 76). Before using a USB flash drive, make sure to refer to page 74.
- To protect against data loss through USB flash drive damage, we recommend that you save your important data onto spare USB flash drive or an external device such as a computer as backup data.

Information

■ About copyrights

- Copying of the commercially available musical data including but not limited to MIDI data and/or audio data is strictly prohibited except for your personal use.
- This product incorporates and bundles contents in which Yamaha owns copyrights or with respect to which Yamaha has license to use others’ copyrights. Due to copyright laws and other relevant laws, you are NOT allowed to distribute media in which these contents are saved or recorded and remain virtually the same or very similar to those in the product.
 - * The contents described above include a computer program, Accompaniment Style data, MIDI data, WAVE data, voice recording data, a score, score data, etc.
 - * You are allowed to distribute medium in which your performance or music production using these contents is recorded, and the permission of Yamaha Corporation is not required in such cases.

■ About functions/data bundled with the instrument

- Some of the preset songs have been edited for length or arrangement, and may not be exactly the same as the original.
- This device is capable of using various types/formats of music data by optimizing them to the proper format music data for use with the device in advance. As a result, this device may not play them back precisely as their producers or composers originally intended.
- The bitmap fonts used in this instrument have been provided by and are the property of Ricoh Co., Ltd.

■ About this manual

- The illustrations and LCD screens as shown in this manual are for instructional purposes only, and may appear somewhat different from those on your instrument.
- Windows is a registered trademark of Microsoft® Corporation in the United States and other countries.
- iPhone, iPad are trademarks of Apple Inc., registered in the U.S. and other countries.
- The letters at the end of the model name (such as “B,” “WA”) indicate the color or finish of the instrument. Since they simply indicate the appearance, these letters are omitted in this manual.
- The Bluetooth® word mark and logos are registered trademarks owned by Bluetooth SIG, Inc. and any use of such marks by Yamaha Corporation is under license.



- The company names and product names in this manual are the trademarks or registered trademarks of their respective companies.

■ Tuning

- Unlike an acoustic piano, this instrument does not need to be tuned by an expert (although the pitch can be user-adjusted to match other instruments). This is because the pitch of digital instruments is always maintained perfectly.

Included Accessories

- Owner's Manual (this book)
- "50 Classical Music Masterpieces" (Music Book)
- Online Member Product Registration
- Power cord*, AC adaptor*
- Bench*
- Warranty*

* May not be included depending on your area. Check with your Yamaha dealer.

About the Manuals

This instrument has the following documents and instructional materials.

Included Documents



Owner's Manual (this book)

This document explains how to use the Clavinova.

• Introduction:

This section explains how to set up and start using your Clavinova. Setup is so simple, you can start playing right away.

• Main Operations:

This section explains various functions useful for your practice, such as Preset Song playback and Song recording.

• Detailed Settings:

This section explains how to make detailed settings for the Clavinova's various functions. Refer to this section as necessary.

• Appendix:

This section introduces Message List, a description of Preset Voices, and other reference material.

Icons on this manual

Example:

785	775	745	735	795GP	765GP
-----	-----	-----	-----	-------	-------

This indicates that the relevant function is only available on certain models. These icons indicate that the function is available on the CLP-785 but not on the CLP-775, CLP-745, CLP-735, CLP-795GP or CLP-765GP.

Online Materials (Downloadable from the web)



Data List (CLP-785 and CLP-795GP only)

This document contains lists of XG Voices and XG Drum Kit that can be selected on the CLP-785 and CLP-795GP.



Smart Device Connection Manual

Explains how to connect the instrument to a smart device such as smartphone or tablet, etc.



Computer-related Operations

Includes instructions on connecting this instrument to a computer, and operations related to transferring song data.



MIDI Reference

Contains the MIDI-related information.

To obtain these manuals, access the Yamaha Downloads, enter the model name for searching the desired files.

Yamaha Downloads

<https://download.yamaha.com/>

Smart Device App "Smart Pianist"

Enjoy easy operation by connecting your smart device. To use this, you'll need to install the "Smart Pianist" app (free for download). For details, refer to "Using a Smart Device App" on page 80.

Table of Contents

PRECAUTIONS	4
NOTICE	7
Information	7
Included Accessories	8
About the Manuals	8
Features	10

Introduction 12

Panel Controls and Terminals12

Getting Started — Playing the Clavinova15

Turning the Power On or Off	15
Music Rest	18
Lid	20
Setting the Volume — [MASTER VOLUME]	21
Using Headphones	21
Using the Pedals	23

Basic Operations24

Main Operations 26

Enjoying the Piano Performance26

Selecting two Grand Piano Voices from the panel directly	26
Customizing the Sound and the Touch Response of Piano Voices (Piano Room)	27

Playing Various Musical Instrument Sounds (Voices) 30

Selecting Voices	30
Listening to the Voice Demos	32
Enhancing and Customizing the Sound	33
Playing Two Voices Simultaneously (Dual)	35
Splitting the Keyboard Range and Playing Two Different Voices (Split Mode)	36
Using Dual and Split Simultaneously	37
Playing Duo	38
Using the Metronome	39

Playing the Keyboard along with Rhythm Playback 42

Playing Back Songs43

Song Playback	44
Playing a One-hand Part — Part Cancel Function (MIDI Songs)	48
Playing Back a Song Repeatedly	49
Adjusting the Volume Balance	52
Useful Playback Functions	53

Recording Your Performance54

Recording Methods	54
Quick MIDI Recording	55
MIDI Recording — Independent Tracks	57
MIDI Recording to the USB Flash Drive	59
Audio Recording to the USB Flash Drive	60
Other Recording Techniques	61

Handling Song Files65

Basic Song File Operation	66
Deleting Files — Delete	67
Copying Files — Copy	68
Moving Files — Move	68
Convert a MIDI Song to an Audio Song during Playback — MIDI to Audio	69
Renaming Files — Rename	70

Connections71

Connectors	71
Connecting to an Audio Player ([AUX IN] jack)	72
Using an External Speaker System for Playback (AUX OUT [L/L+R]/[R] jacks)	73
Connecting USB Devices (USB [TO DEVICE] Terminal)	74
Connecting External MIDI Devices (MIDI Terminals) ..	75
Connecting to a Computer (USB [TO HOST] Terminal) ..	76
Connecting to a Smart Device	77
Using a Smart Device App	80

Detailed Settings (Menu Display) 86

Common Operations in the Menu Displays86

Voice Menu87

Song Menu92

Metronome/Rhythm Menu95

Recording Menu96

System Menu97

Appendix 106

Preset Voice List106

Song List109

Rhythm List110

Message List111

Troubleshooting113

Assembling the Clavinova115

Specifications134

Index140

About Bluetooth142

For information on whether Bluetooth functionality is included or not, refer to page 142.

Features

Full-scale piano performance



GrandTouch Keyboard and GrandTouch-S Keyboard

The CLP-700 series models feature a special keyboard, which remarkably reproduces the authentic touch and feel of an actual grand piano. Its mechanism provides exceptionally expressive control from pianissimo to fortissimo. Moreover, the keys of the GrandTouch Keyboard (CLP-785, CLP-775 and CLP-795GP) have a long pivot point distance (length from the front side to the pivot point), for a more natural feeling, even when playing the inner part of a key.



Two world-renowned concert grand pianos

▶▶ page 26

All models feature piano sounds created with samples of the Yamaha CFX flagship concert grand piano and the famed Vienna-made Bösendorfer grand piano. The sound of the Yamaha CFX is powerful, sparkling and with a rich bass resonance. On the other hand, the Bösendorfer sound is soft and deep in the mid to bass range and beautiful for pianissimo parts. You can select the one that best matches the music you want to play.

* Bösendorfer is a subsidiary company of Yamaha.



Piano Room feature for adjusting touch and resonance

▶▶ page 27

From the Piano Room displays, you can adjust various parameters such as string resonance and touch response. You can also listen to the demo for VRM, which reproduces luxurious string and soundboard resonance, and the demo for Grand Expression Modeling, which recreates the subtle changes in the sound that respond to your touch.

- **VRM effect for reproducing the distinctive reverberation of a grand piano**

The VRM function on all models simulates the luscious resonance effect on acoustic pianos—where the sound of one string causes sympathetic vibration in other strings and the soundboard. You can vary the sound expressively by changing the timing of your pressing the keys, and the timing and depth of your pressing the pedal.

- **Grand Expression Modeling for superbly expressive sound**

On an actual acoustic piano, subtle changes in the sound can be produced by changing your playing touch from when you press a key to when you release it. The Grand Expression Modeling technology recreates these subtle changes in the sound that respond to your touch. This allows you to add accents by playing strongly or add resonance by playing softly to produce superbly expressive sound.



Realistic feeling of being immersed in the sound —even when using headphones

▶▶ page 22

When headphones are connected, the sounds of the CFX and Bösendorfer automatically switch to binaural sampling sound—which gives the impression of being immersed in the sound, as if it was actually emanating from the piano. When other piano Voices are selected, the Stereophonic Optimizer effect reproduces a natural sound distance.

Convenient performance functions



Rhythm Tracks

▶▶ page 42

All models feature twenty different simple rhythm patterns (drums and bass accompaniment) that are perfectly suited to many types of music regularly performed on the piano, for even greater performance potential.



Preset Songs for effective practicing

▶▶ page 43

Also built into this instrument are 50 classical music masterpieces, plus 303 lesson Songs for mastering the piano. You can simply enjoy listening to these built-in Songs, or use them for separate right-hand/left-hand practicing.* The 303 lesson Songs consist of practice pieces taken from various standard piano instruction manuals, including “The Virtuoso Pianist.”

*The part on/off function is available only for MIDI songs that have both right- and left-hand parts.



Two recording methods

▶▶ page 54

The instrument lets you save your performance to internal memory or a USB flash drive (sold separately). You can record your performance using one of two methods, MIDI or Audio recording, according to your needs. MIDI recording is ideal for making independent tracks—for example, recording a right-hand part to Track 1 first, and then a left-hand part to Track 2—allowing you to create pieces that would be difficult to play live with both hands together. Audio recording on the other hand, saves recorded data in stereo, CD-quality WAV format to a USB flash drive, for storing to computer and playing on portable music players.



Connecting to a Smart Device

▶▶ page 77

By connecting this instrument to a smart device such as smart phone or tablet, you can enjoy compatible smart device apps. In addition, you can input the audio from a smart device to this instrument via Bluetooth* and hear it through the built-in speakers of the instrument.

*The models CLP-785, CLP-775, CLP-745, CLP-795GP and CLP-765GP are equipped with Bluetooth functionality; however, even these models may not support Bluetooth, depending on the country in which you purchased the product. For details, refer to page 142.

Fortepiano Voices—authentic classical period piano sounds

All models feature authentic sounds created with samples of actual fortepianos—pianos which were made in the era of Mozart, Beethoven and Chopin. Enjoy performing with the actual sounds used in the era that classical music masterpieces were composed. Refer to page 30 for selecting Voices.

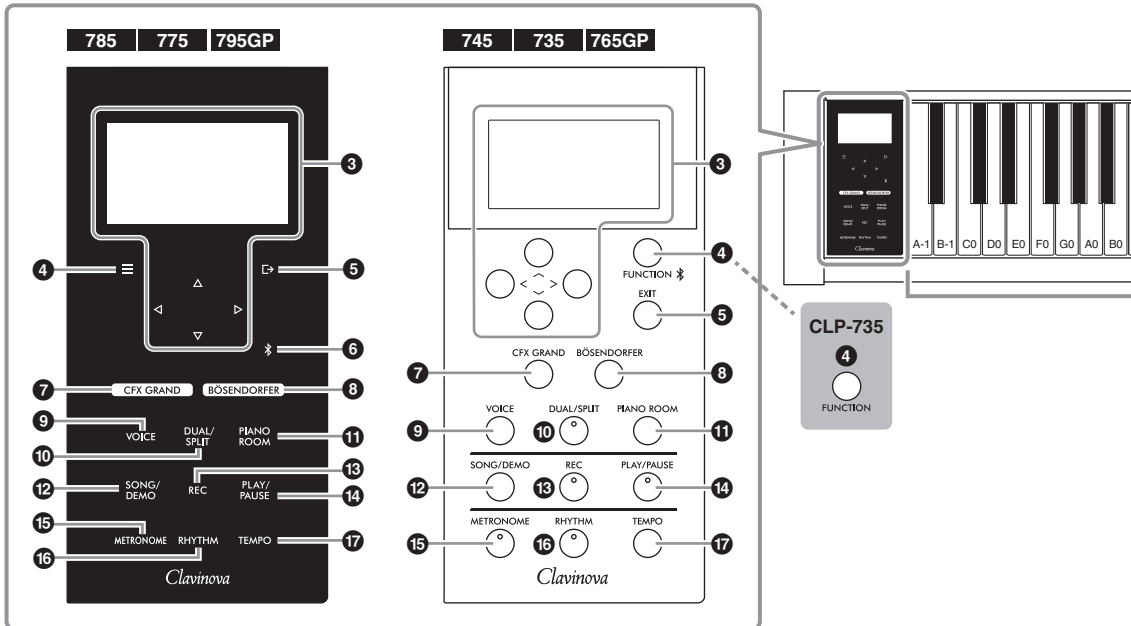
*The fortepiano shown in the picture is from the collection of at the Hamamatsu Museum of Musical Instruments.



Panel Controls and Terminals

On the CLP-785/775/795GP, the control panel lights up when the power is turned on, and you can control it by pressing the panel indications or icons. Be sure to read “Turning the Power On or Off” on page 15, then turn on the power and check the panel.

Control Panel (page 24)



1 [⏻] (Standby/On) switch page 16
For turning the power on or setting it to standby.

2 [MASTER VOLUME] slider page 21
For adjusting the overall volume.

3 [^]/[v]/[<]/[>] buttons, display page 24
For selecting an item or setting a value using the buttons corresponding to the display indication. You cannot operate the display directly by pressing it with your finger.

4 [≡]/[FUNCTION] button page 86
Pressing this button alternates the displays among the menus: “Voice,” “Song,” “Metronome/Rhythm,” “Recording” and “System”—from which you can make detailed settings for the related functions. With the CLP-745 and CLP-765GP, this is also used for connecting to a Bluetooth-equipped device such as a smart device (page 78).

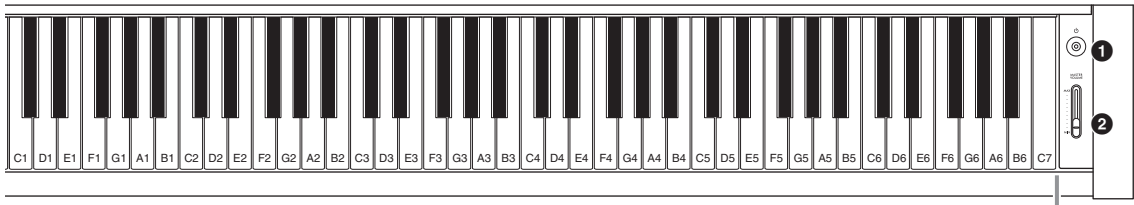
5 [↵]/[EXIT] button page 25
Pressing this button exits from the current display, or returns to the Voice or Song display.

In this manual, the [≡] button is hereafter referred to as the [FUNCTION] button, and the [↵] button is referred to as the [EXIT] button.

6 [📶] (Bluetooth) button (CLP-785/775/795GP) page 78
Used for connecting to a Bluetooth-equipped device such as a smart device.

Bluetooth capability

Depending on the country in which you purchased the product, the instrument may not have Bluetooth capability. If the Bluetooth logo is shown or printed on the control panel, this means that the product is equipped with Bluetooth functionality.



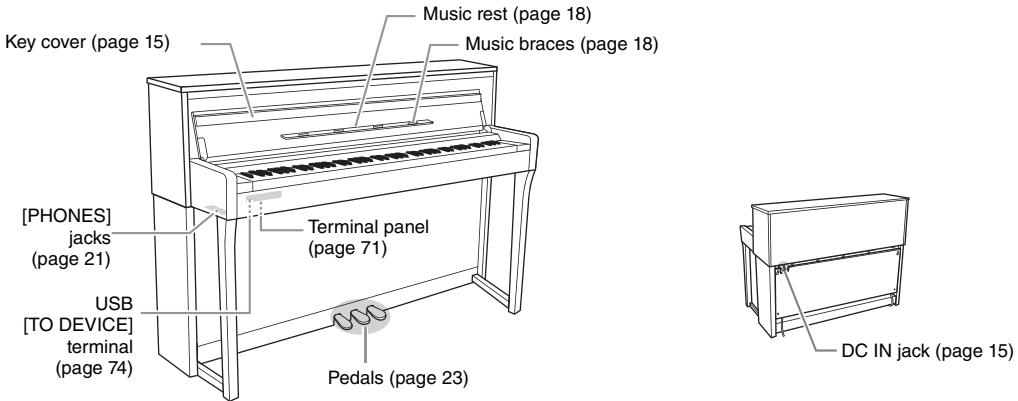
Each key has a note name; for example, the lowest (farthest left) key on the keyboard corresponds to A-1, and the highest (farthest right) key to C7.

- 7 [CFX GRAND] button..... page 26**
For selecting the “CFX Grand” Voice.
- 8 [BÖSENDORFER] button page 26**
For selecting the “Bösendorfer” Voice.
- 9 [VOICE] button page 30**
Calls up the Voice group list display.
- 10 [DUAL/SPLIT] button pages 35, 36, 37**
For playing two Voices simultaneously, or different Voices on the left- and right-hand sections of the keyboard.
- 11 [PIANO ROOM] button page 27**
Calls up the Piano Room display where you can select an optimum piano sound and adjust the touch response.
- 12 [SONG/DEMO] button page 43**
Calls up Song List for selecting a demo Song or a Song to playback or edit.
- 13 [REC] button..... page 54**
For recording your keyboard performance.
- 14 [PLAY/PAUSE] button..... page 44**
For alternately playing back and pausing the Preset Songs or your recorded material.
- 15 [METRONOME] button..... page 39**
For using the metronome functions.
- 16 [RHYTHM] button..... page 42**
For using the rhythm functions.
- 17 [TEMPO] button page 39**
For setting the tempo.

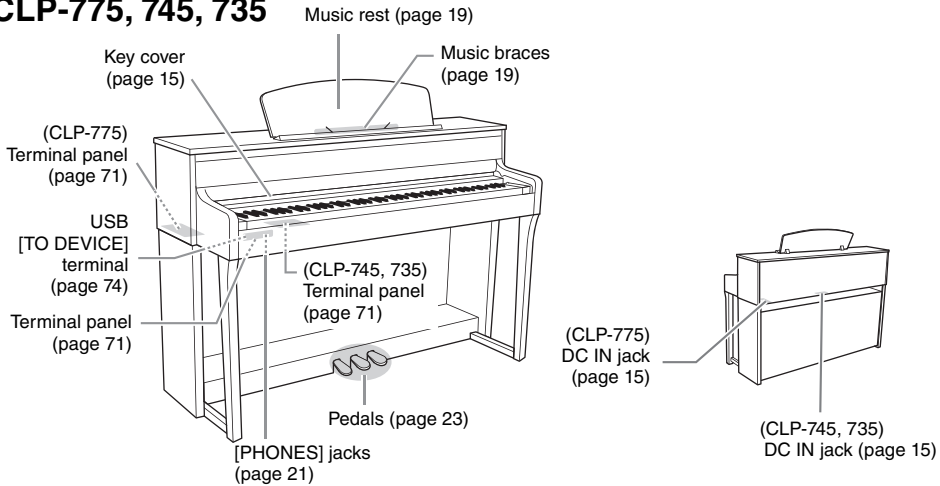
See the next page for overall views of the instruments, and their jacks and terminals.

Overall views, jacks and terminals

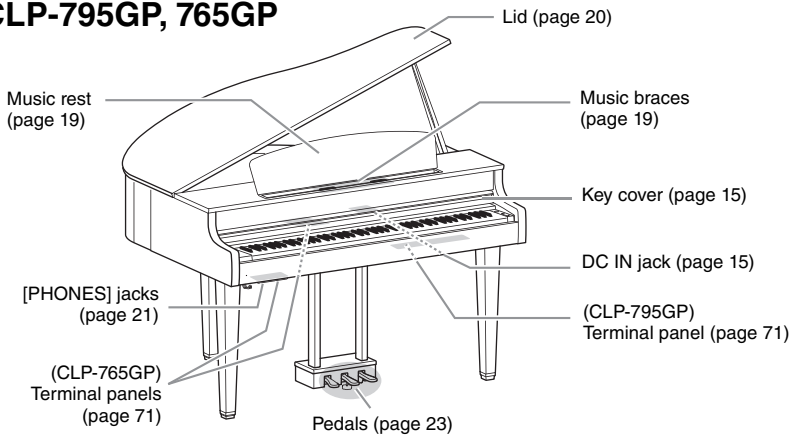
CLP-785



CLP-775, 745, 735



CLP-795GP, 765GP

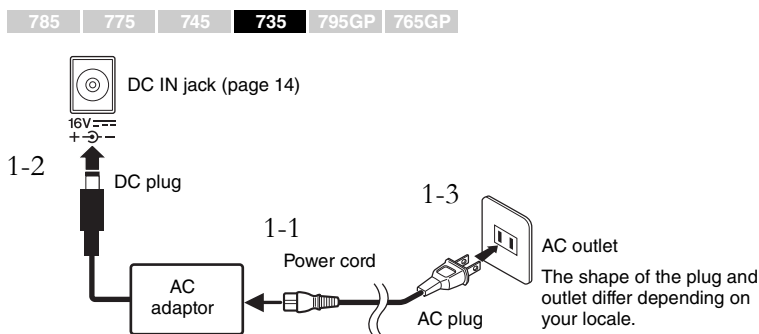
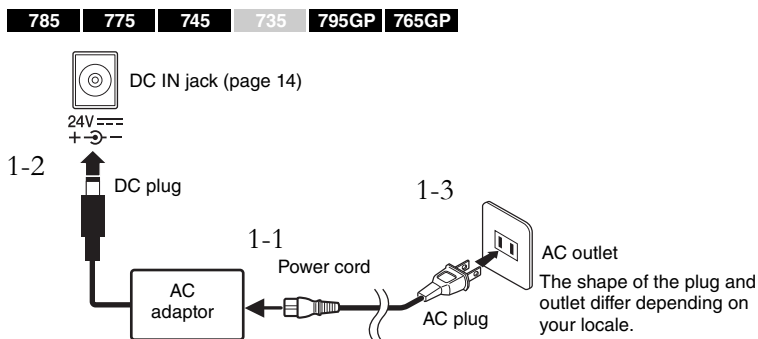


Getting Started — Playing the Clavinova

This section explains how to set up and start using your Clavinova. Setup is so simple, you can start playing right away.

Turning the Power On or Off

1. Connect the plugs of the AC adaptor in the order shown in the illustration.

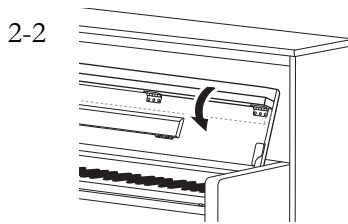
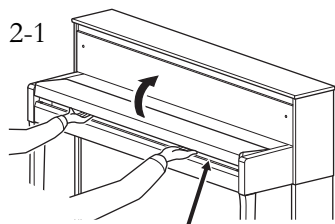


2. Open the key cover.



2-1. With both hands, hold the hand grip, then lift and open the key cover.

2-2. Fold down the top of the key cover.



CAUTION
Be careful to avoid catching your fingers when opening or closing the cover.

WARNING

Use the specified adaptor (page 136 or page 138) only. Using the wrong AC adaptor can result in damage to the instrument or overheating.

CAUTION

When setting up the product, make sure that the AC outlet you are using is easily accessible. If some trouble or malfunction occurs, immediately turn the power off and disconnect the plug from the outlet.

NOTE

When disconnecting the power cord/AC adaptor, first turn off the power, then follow this procedure in reverse order.

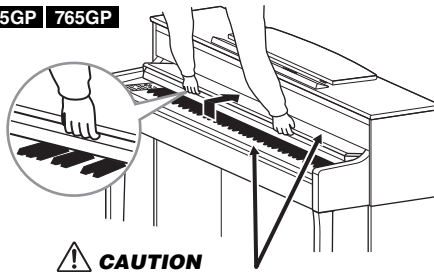
CAUTION

- Do not place anything (such as metal objects or pieces of paper) on top of the key cover. Small objects placed on the key cover may fall inside the unit when the cover is opened and may be nearly impossible to remove. Once inside, they could cause electric shock, short circuit, fire or other serious damage to the instrument.

- Hold the cover with both hands when opening or closing it. Do not release it until it is fully opened or closed. Be careful to avoid catching fingers (yours or others, especially children's) between the cover and the unit.

785 775 745 735 795GP 765GP

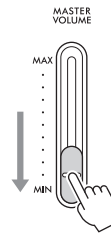
Lift the cover slightly, then push and slide it to the end.



CAUTION

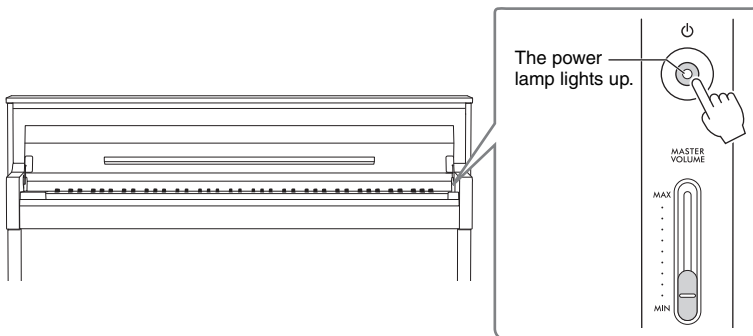
Be careful to avoid catching your fingers when opening or closing the cover.

3. Turn down the [MASTER VOLUME] slider at the right of the keyboard to “MIN.”



4. Press the [⏻] (Standby/On) switch at the right of the keyboard to turn the power on.

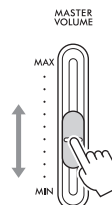
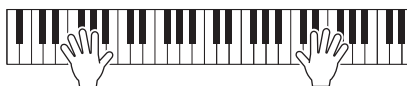
The display located at the left of the keyboard and the power lamp on the [⏻] (Standby/On) switch both light up.



On the CLP-785/775/795GP, the control panel lights up, and automatically turns off if you do not press it for a while. Simply press anywhere on the control panel to turn it on again.

5. Play the keyboard.

While playing the keyboard, adjust the volume level by using the [MASTER VOLUME] slider. For details, refer to “Setting the volume — [MASTER VOLUME]” on page 21.



NOTICE

Press only the [⏻] (Standby/On) switch when turning the power on. Any other operations, such as pressing the keys, buttons or pedals may cause the instrument to malfunction.

NOTE

(CLP-785/775/795GP) You can change the time that elapses until the control panel turns off, or you can set it to remain on indefinitely. For details, refer to “Auto Backlight Off” on page 101.

6. After you use the instrument, press and hold the [⏻] (Standby/On) switch for a second to turn the power off.

The power lamp on the [⏻] (Standby/On) switch is turned off.

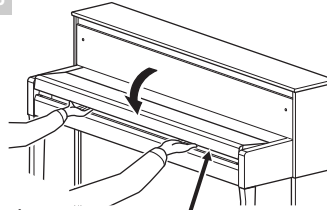
7. Close the key cover.

785 775 745 735 795GP 765GP

7-1. If the music rest is unfolded, fold it back.

7-2. With both hands, open the folded top of the key cover, and close it gently.

The key cover is equipped with the special SOFT-CLOSE™ mechanism which closes the cover slowly.



CAUTION

Be careful to avoid catching your fingers when opening or closing the cover.

785 775 745 735 795GP 765GP

Slide the cover toward you and gently lower the cover over the keys.



CAUTION

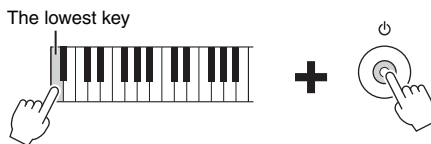
Be careful to avoid catching your fingers when opening or closing the cover.

Auto Power Off function

To prevent unnecessary power consumption, this instrument features an Auto Power Off function that automatically turns the power off if the instrument is not operated for a specified period of time. The amount of time that elapses before the power is automatically turned off is approximately 30 minutes by default; however, you can change the setting (page 101).

Disabling Auto Power Off (simple method)

Turn the power on while holding down the lowest key on the keyboard. An “Auto power off disabled” message appears briefly and Auto Power Off is disabled.



CAUTION

Even when the [⏻] (Standby/On) switch is in standby status, electricity is still flowing to the instrument at the minimum level. Remove the electric plug from the outlet when the instrument is not to be used for extended periods of time, or during electrical storms.

CAUTION

(CLP-785) Do not apply excessive force when closing the key cover. Applying excessive force to the key cover when closing it could damage the SOFT-CLOSE™ mechanism, and possibly result in injury to your hands and fingers caught under the closing key cover.

NOTICE

- Any data which are not saved will be lost if the power automatically turns off. Make sure to save your data before this happens.
- Depending on the instrument status, the power may not turn off automatically, even after the specified period of time elapses. Always turn off the power manually when the instrument is not in use.

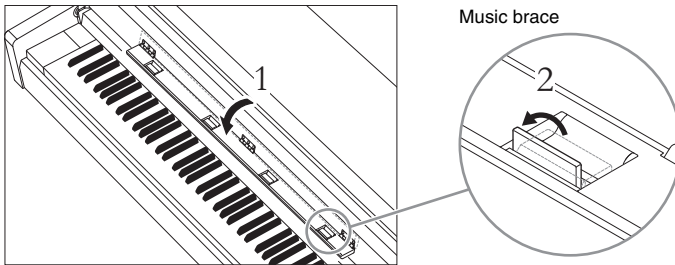
Music Rest

785 | 775 | 745 | 735 | 795GP | 765GP

Fold down the top of the key cover (see step 2 on page 15) when using the music rest.

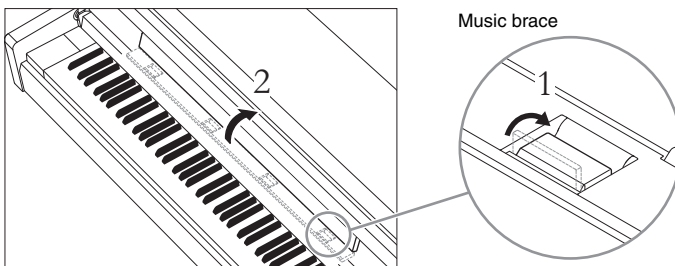
Unfold the music rest:

1. Unfold the music rest, which is on the inside of the key cover.
2. Unfold the music braces, which allow you to hold the pages of music books in place.



Fold the music rest:

1. Fold the music braces if they are unfolded.
2. Fold the music rest before closing the key cover.



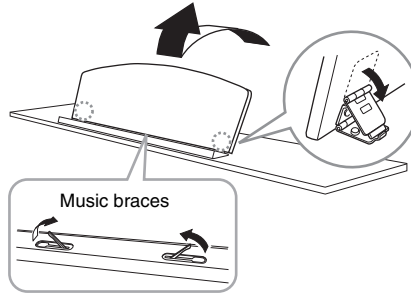
NOTICE

Do not put anything heavy on the music rest for a long period of time. Doing so may damage the music rest.

785 775 745 735 795GP 765GP

To raise the music rest:

1. Pull the music rest up and toward yourself as far as it will go.
2. Flip down the two metal supports at the left and right on the rear of the music rest.
3. Lower the music rest so that the metal supports latch into place.
Music braces allow you to hold the pages of music books in place.

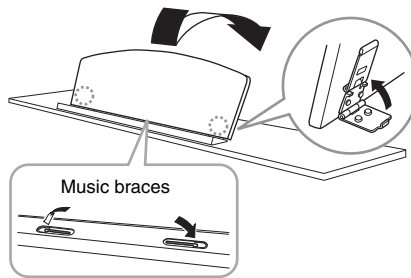
**CAUTION**

Do not try to use the music rest in a half-raised position. Also, when raising or lowering the music rest, do not release your hands from the music rest until it is all the way up or down.

To lower the music rest:

Close the Music braces if they are open, and then lower the music rest by following the instructions below.

1. Pull the music rest toward yourself as far as it will go.
2. Raise the two metal supports (at the rear of the music rest).
3. Gently lower the music rest backward until it is all the way down.

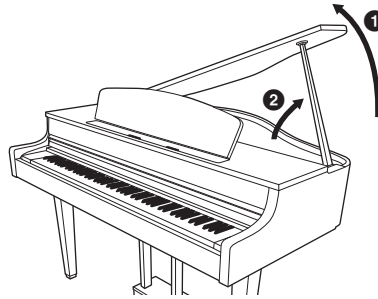


Lid

785 | 775 | 745 | 735 | **795GP** | **765GP**

To open the lid:

1. Raise and hold the right side of the lid (viewed from the keyboard end of the instrument).
2. Raise the lid stay and carefully lower the lid so that the end of the stay fits into the recess in the lid.

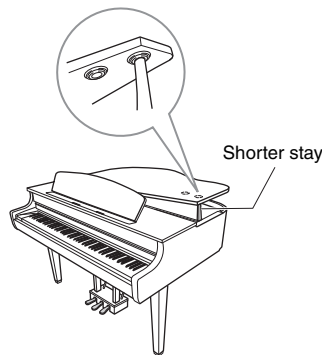
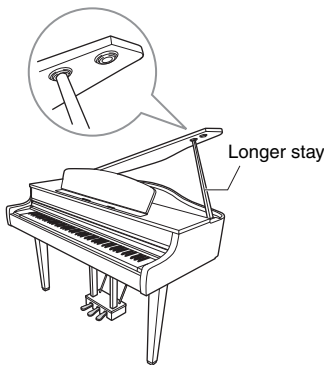


⚠ WARNING

- Do not let children open or close the lid. Also, be careful to avoid catching fingers (yours or others, and especially those of children) when raising or lowering the lid.
- (CLP-795GP) Do not use the outer recess for the longer stay. Doing so makes the lid unstable and may cause it to fall, resulting in damage or injury.
- Make sure that the end of the stay fits securely in the lid recess. If the stay is not properly seated in the recess, the lid may fall, causing damage or injury.
- Be careful that you or others do not bump the stay while the lid is raised. The stay may be dislodged from the lid recess causing the lid to fall.

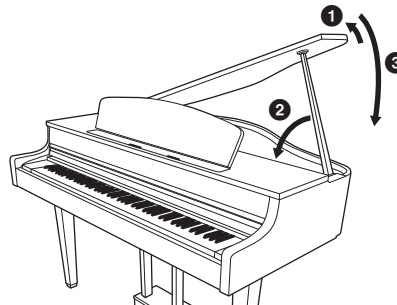
785 | 775 | 745 | 735 | **795GP** | **765GP**

For the longer stay, use the inner recess, and for the shorter stay, use the outer recess to support the lid.



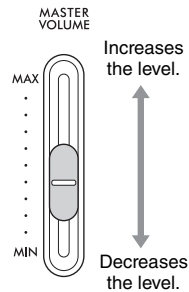
To close the lid:

1. Hold the lid stay and carefully raise the lid.
2. Hold the lid in its raised position and lower the lid stay.
3. Carefully lower the lid.



Setting the Volume — [MASTER VOLUME]

To adjust the volume, use the [MASTER VOLUME] slider located at the right of the keyboard. Play the keyboard to actually produce sound while you adjust the volume.



Master Volume: The volume level of the entire keyboard sound. Adjusting the [MASTER VOLUME] slider also affects the output level of the [PHONES] jacks and the output level of the AUX OUT jacks.

CAUTION

Do not use the instrument for a long period of time at a high or uncomfortable volume level, since this can cause permanent hearing loss.

Intelligent Acoustic Control (IAC)

IAC is a function which automatically adjusts and controls the sound quality according to the overall volume of the instrument. Even when playing the instrument with the overall volume turned down, it permits both low sounds and high sounds to be clearly heard. IAC Control is effective only from the sound output of the instrument speakers.

You can set the IAC setting On or Off and its depth. For details, refer to “IAC” on page 98 and “IAC depth” on page 99. The default setting for this function is “On.”

Using Headphones

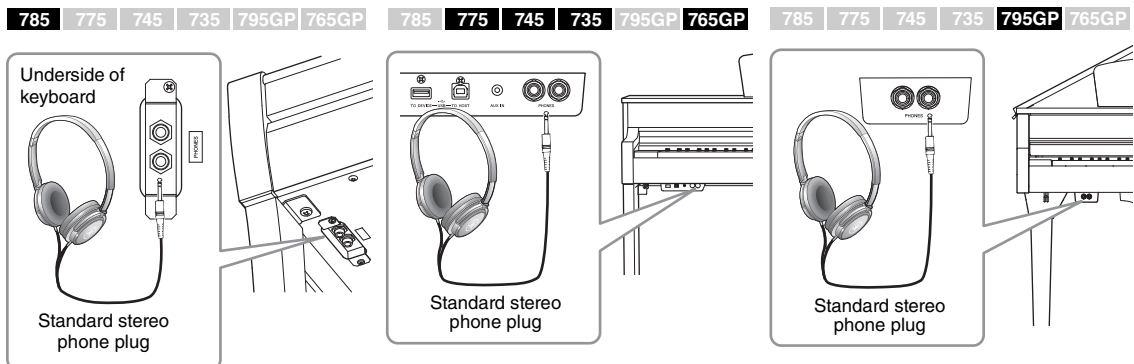
Connect a pair of headphones to one of the [PHONES] jacks. When the headphones are plugged into either of the [PHONES] jacks, the internal speaker system is automatically shut off. Two [PHONES] jacks are provided. Two sets of standard stereo headphones can be plugged in. (If you are using only one pair of headphones, you can plug them into either of these jacks.)

CAUTION

Do not use the headphones for a long period of time at a high or uncomfortable volume level, since this can cause permanent hearing loss.

NOTE

- If you are using an adaptor plug, be sure to remove this as well when unplugging the headphones. No sound will come out of the instrument’s speakers if the adaptor plug is left connected.
- You can also hear sound through the speakers with the headphones plugged in. For details, refer to “Speaker” on page 100.



You can conveniently hang the headphones on the instrument when not using them. Install the headphone hanger by following the instruction at the end of this manual (CLP-785: page 119, CLP-775: page 122, CLP-745/735: page 125, CLP-795GP: page 129, CLP-765GP: page 133).

Reproducing the Natural Sensation of Sound Distance —Binaural Sampling and Stereophonic Optimizer

This instrument features two advanced technologies that allow you to enjoy exceptionally realistic, natural piano sound, even when listening on headphones.

Binaural Sampling

Binaural sampling is a method that uses two special microphones set at the ear position of a performer and records the sound from a piano as it is. Listening to the sound with this effect through headphones gives the impression of being immersed in the sound, as if it was actually emanating from the piano. When “CFX Grand” or “Bösendorfer” (page 26) is selected, connecting the headphones automatically enables binaural sampling sound.

Stereophonic Optimizer

The Stereophonic Optimizer is an effect which reproduces natural sound distance like the sound of binaural sampling even though you hear it on headphones. When any other Voice in the Piano group besides “CFX Grand” or “Bösendorfer” is selected, connecting the headphones automatically enables the Stereophonic Optimizer.

This function is turned on by default. Note that when the “Speaker” setting (page 100) is On, this function will always be disabled. Since these sounds are optimized for listening with headphones, we recommend that you set this function to “OFF” in the following situations.

- Playing the piano sound of this instrument with an external powered speaker system, while monitoring the sound output from this instrument on connected headphones.
- Making an audio recording (page 54) while using headphones, and then playing that recorded audio Song through speakers of this instrument. (Make sure to turn off these functions before audio recording.)

For details on setting this On or Off, refer to “Binaural” on page 99.

NOTICE

Do not hang anything other than the headphones on the hanger. Otherwise, the instrument or the hanger may be damaged.

Sampling

A technology which records the sounds of an acoustic instrument then stores them to the tone generator to be played based on information received from the keyboard.

NOTE

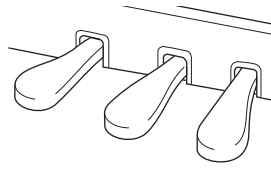
Voices in the Piano group are those contained in the “Piano” category in the Preset Voice List (page 106). For details about selecting Voices, refer to page 26.

NOTE

Before connecting an external powered speaker system, be sure to read “Connections” (page 71).

Using the Pedals

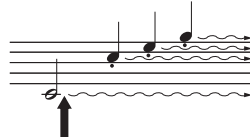
This instrument is equipped with three foot pedals: damper pedal (right), sostenuto pedal (center), and soft pedal (left).



Damper pedal (right pedal)

When you press the damper pedal, the notes you play have a longer sustain.

When you select a Voice in the Piano group, pressing the damper pedal activates the VRM (page 28) to accurately recreate the unique resonance of an acoustic grand piano's soundboard and strings.



When you press the damper pedal here, the notes you play before you release the pedal have a longer sustain.

NOTE

Voices in the Piano group are those contained in the "Piano" category in the Preset Voice List (page 106). For details about selecting Voices, refer to page 26.

NOTE

You can assign other functions to each pedal by using "Pedal Assign" in "Voice" menu display (page 89).

Half-pedal function

This instrument also has a Half-pedal function which allows you to use half-damper techniques, in which the damper is pressed somewhere between all the way down and all the way up. In this half-damper state (on a real piano), the damper felts only partially mute the strings. The Half-pedal function on the Clavinova lets you delicately and expressively control the damper muting, and create subtle nuances in your performance, by finely controlling the point at which pressure on the pedal affects the damper muting. For details on setting this, refer to "Half Pedal Point" on page 98.

GP Response Damper Pedal

785 775 745 735 795GP 765GP

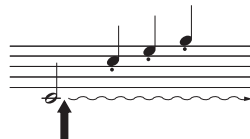
The damper pedal of the CLP-785, CLP-775 and CLP-795GP is the GP Response Damper Pedal. This special pedal has been designed to provide enhanced tactile response and, when pressed, is much closer in feel to the pedal of an actual grand piano. It makes it easier to physically experience the half-pedal point and more easily apply the half-pedal effect than other pedals. Since the pressing sensation may vary depending on the situation, including the location where the instrument is installed, you should adjust the half-pedal point described above to the desired setting.

NOTE

The pedals are covered with vinyl covers when shipped from the factory. If your instrument features the GP Response Damper Pedal, remove the cover from the damper pedal for optimum use of the pedal effect.

Sostenuto pedal (center pedal)

If you play a note or chord on the keyboard and press the sostenuto pedal while holding the note(s), the notes will sustain as long as the pedal is held. All subsequent notes will not sustain.



When you press the sostenuto pedal here while holding the note(s), the notes will sustain as long as you hold the pedal.

NOTE

While the sostenuto (center) pedal is held, a sustained (non-decaying) type of Voice such as strings or organ may sound continuously without decay after the notes have been released.

NOTE

The center pedal or left pedal can also be used as a [PLAY/PAUSE] button. For details on the settings, refer to "Play/Pause" on page 98.

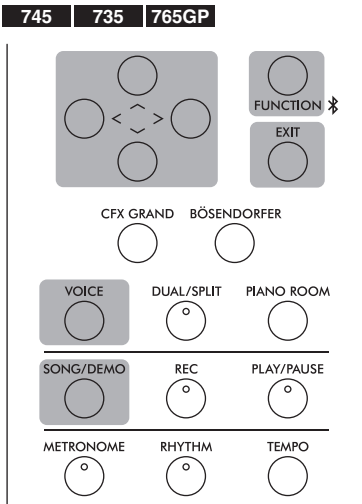
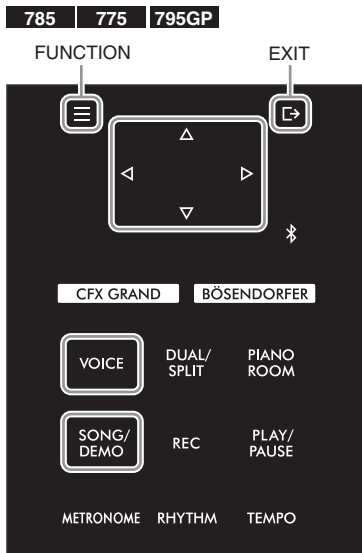
Soft pedal (left pedal)

The soft pedal reduces the volume and slightly changes the timbre of notes played while the pedal is pressed. The soft pedal will not affect notes that are already playing when it is pressed. In order to apply this effect, play notes after pressing the pedal.

Keep in mind that this pedal function will be changed from the Soft pedal depending on the selected Voice. When the "Mellow Organ" is selected, pressing and releasing this pedal switches between "fast" and "slow" of the Rotary Speaker speed ("Rotary Speed" on page 88). When the "Vibraphone" is selected, this pedal switches Vibrato on and off ("VibeRotor" on page 88).

Basic Operations

On the screen display, you can call up three main functions: Voice, Song and Demo. In addition, various detailed settings can be made, for even greater playability and performance potential.



The panel illustrations for CLP-735/745/765GP here and all those following are based on the CLP-745.

Selecting Voices

1. Press the [VOICE] button to call up the Voice group list.



2. Press the [^] or [V] button to select a Voice group.



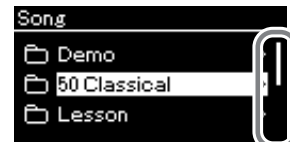
When this is shown here, you can scroll through the display vertically.

Selecting Songs and Demos

1. Press the [SONG/DEMO] button to call up the Song category list.



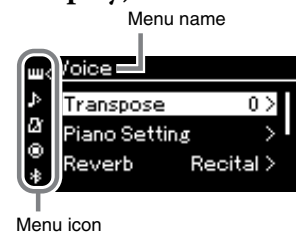
2. Press the [^] or [V] button to select a Song category.



When this is shown here, you can scroll through the display vertically.

Detailed Settings (Menu display)

1. Press the [FUNCTION] button repeatedly to select the desired menu.



Changing the Control Panel Settings

785 775 745 735 795GP 765GP

You can change the time that elapses until the control panel turns off, or you can set it to remain on indefinitely. You can also set the operation sound to off. For details, refer to “Auto Backlight Off” or “Touch Panel Sound” on page 101.

NOTICE

Do not operate the control panel using a sharp item, your fingernails or other hard objects. This may damage the control panel.

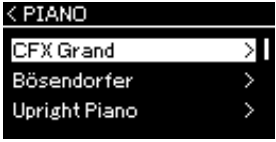
NOTE

You cannot operate the control panel by pressing two or more places at once.

Voice: Instrument sound for playing from the keyboard. In addition to the Piano sounds, a wide variety of other musical instrument sounds are available.
Song: A piece of music for listening enjoyment or for playing back and practicing along with.
Demo: Voice Demos let you experience the characteristics of the Voices.

3. Press the [^] or [V] button to select a Voice.


[>] to select a Voice.
[<] to return.



[>] to select a Voice.
[^] to return.

4. Play the keyboard.

Voice display

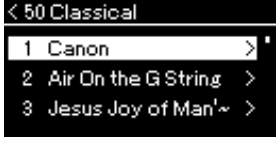


This indicates the current position in the Voice group.

Press the [<] or [>] button to select the previous or next Voice.

3. Press the [^] or [V] button to select a Song.

[>] to select a Song.
[<] to return.

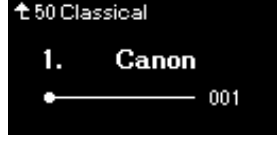


When "Lesson" is selected, press the [^] or [V] button to select a Lesson type.

[>] to select a Song.
[^] to return.

4. Press the [PLAY/PAUSE] button to playback the Song.


Song display



Use the [<] or [>] button to select the previous or next bars.

2. Press the [^] or [V] button to select a parameter.


[>] to detailed settings.
[EXIT] to return to the previous display.



Note that the hierarchy depth differs depending on the selected parameter.


[>] to detailed settings.
[<] to return.

Adjusting the value on the slider pop-up window




3. Press the [<] or [>] button to adjust the value, press the [EXIT] button to close the pop-up window.

Return to the Voice/Song display

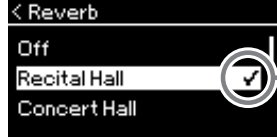


Press the [EXIT] button to return to the Voice display or the Song display, depending on which display was previously shown.



While the pop-up window is shown, pressing the [EXIT] button returns to the previously shown display.

Selecting a value from a list



A checkmark is shown at the right of the selection.

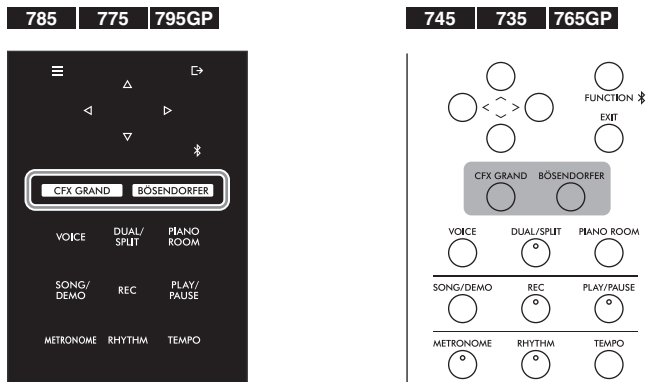
3. Use the [^][V] buttons or the [>] button to select a setting.

Press the [<] button to return to the previous display.

Enjoying the Piano Performance

This instrument puts the sounds of two renowned grand pianos, the Yamaha CFX and Bösendorfer Imperial, as well as other piano sounds—each with its own distinctive appeal and sonic characteristics. Simply select the particular piano sound desired, according to the music you intend to play or your personal preferences.

Selecting two Grand Piano Voices from the panel directly



1. Press the [CFX GRAND] button or the [BÖSENDORFER] button to select the piano type.

A Voice is called up from the selected Voice button and its name appears on the Voice display.

Voice display



CFX Grand

Yamaha's CFX concert grand piano sound with a wide dynamic range for maximum expressive control. Suitable for playing in any music genre and style.

Bösendorfer

The famed sound of the Vienna-made Bösendorfer Imperial concert grand piano. Its spacious sound evokes the size of the instrument, and is ideal for expressing tenderness in compositions.

2. Play the Keyboard.

Selecting Other Piano Voices

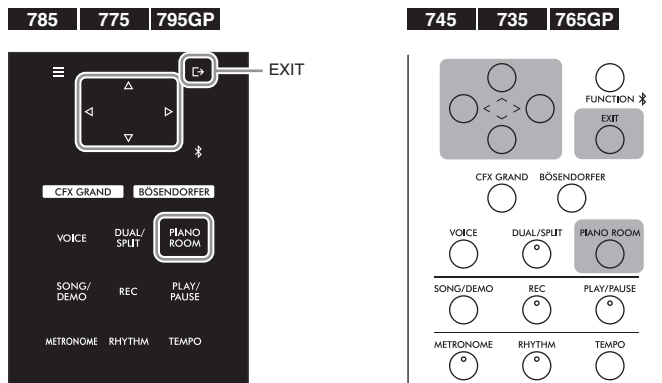
Press the [<][>] buttons to select other piano Voices than "CFX Grand" and "Bösendorfer." You can also select the other Voices by pressing the [VOICE] button (page 30).

NOTE

You can hear and experience the characteristics of the Voices by listening to the Demo Songs for each Voice (page 32).

Customizing the Sound and the Touch Response of Piano Voices (Piano Room)

You can adjust the detailed settings of Voices in the Piano group in the Piano Room. Try creating a custom piano sound by adjusting the various parameters such as lid position, string resonance, damper resonance and so on.



1. Press the [PIANO ROOM] button to call up the Piano Room display.

Piano Room display



2. Press the [^]/[v] buttons to select items (page 28).
3. Press the [<]/[>] buttons to change the settings (page 28).
4. Press the [EXIT] button to exit from the Piano Room display.

NOTE

Voices in the Piano group are those contained in the "Piano" group in the Preset Voice List on page 106.










NOTE



If a Voice other than one in the Piano group is selected, pressing the [PIANO ROOM] button changes it to "CFX Grand."

NOTE

Pressing the [PIANO ROOM] button disables the Dual/Split/Duo functions.

Parameters you can set in the Piano Room

Item	Icon	Description	Default setting	Setting Range
Lid Position		Recreates the differences in sound depending on how high the (virtual) grand piano lid is opened.	Full	Full, Half, Closed
Brightness		Adjusts the brilliance of sound.	Differs depending on the Voice.	0 – 10
Touch		Determines how the sound responds to your playing strength. You should adjust this setting according to the specific Voice you're playing or the particular Song you're performing, as desired.	Medium	Soft2, Soft1, Medium, Hard1, Hard2, Fixed
Reverb		Determines the Reverb type which is applied to all the entire sound including the keyboard performance, Song playback and MIDI data input from an external MIDI device.	Differs depending on the Voice.	Refer to the Reverb Type List (page 90)
Reverb Depth		Adjusts the Reverb depth. When "Reverb" is set to "off" or a value of "0," no effect is produced.	Differs depending on the Voice.	0 – 40
Master Tune		Fine tunes the pitch of the entire instrument. This function is useful when you play this instrument along with other instruments or CD music.	A3 = 440.0 Hz	A3 = 414.8 Hz – 466.8 Hz (approx. 0.2 Hz steps)
VRM	  <p>Turns the VRM effect on/off. For information about the VRM function, refer to page 29.</p> <p>Listening to the VRM Demo Press the [PLAY/PAUSE] button while this display is open to play back the VRM Demo Song. You can hear the Demo Song with and without the effect (VRM on or off). The five parameters below can be set when "VRM" is On.</p>	On	On, Off	
Damper Resonance		Determines the depth of the string resonance effect which is applied when the damper pedal is pressed.	5	0 – 10
Damper Noise		 Turns the Damper Noise produced by the VRM function On/Off. For details on damper noise, refer to page 29. This function will be disabled when "Damper Resonance" is set to "0."	On	On, Off
String Resonance		Determines the depth of the string resonance effect which is applied when a note on the keyboard is pressed.	5	0 – 10
Duplex Scale Resonance		 Adjusts the sympathetic vibrations of the duplex scaling resonance effect in VRM. For details about duplex scaling, refer to "What is Duplex Scale?" (page 29).	5	0 – 10
Body Resonance		Adjusts the resonance of the piano itself (the soundboard, the sides, the frame and so on) in VRM.	5	0 – 10

Item	Icon	Description	Default setting	Setting Range
Grand Expression		<p>Selects the type of the Grand Expression Modeling effects, which simulates the physical sound transitions of an actual piano. When this feature is set to "Dynamic," you can control extremely subtle nuances in the performance and sound by changing your playing strength or touch. When set to "Static," the nuances are generally fixed. For details about Grand Expression Modeling, refer to the below.</p> <p>NOTE Grand Expression Modeling is effective only for the Voices of "CFX Grand" and "Bösendorfer."</p> <p>Listening to the Demo Press the [PLAY/PAUSE] button while this display is open to play back the Demo Song of this function. You can listen to the Demo song with "Dynamic" or "Static."</p>	Dynamic	Dynamic, Static
Half Pedal Point		<p>Specify the point to which you must depress the right pedal before the effect of "Sustain Continuously" begins to be applied. This setting applies only to the "Sustain Continuously" effect (page 91) that is assigned to the right pedal.</p>	0	-2 (effective with the shallowest press) – 0 – +4 (effective with the deepest press)

NOTE

- If you wish to keep the Piano Room settings even after turning off the power, set "Voice" and "Other" in the "Backup" setting to "On." For details, refer to page 104.
- The items listed above can also be set in the "Voice" menu display (page 87) or the "System" menu display (page 97). When you change these settings in the Piano Room display, the settings in the menu displays will also be changed. Conversely, changing the settings in the menu displays will also change the settings in the Piano Room display.

What is VRM?

The VRM (Virtual Resonance Modeling) function uses sophisticated physical modeling to simulate the actual string resonance sound that occurs when the damper pedal on a real piano is pressed or keys are played and held.

On an actual acoustic piano, if you press the damper pedal and play a key, not only does the string of the pressed key vibrate, it also causes other strings and the soundboard to vibrate, each influencing the rest and creating a rich and brilliant resonance that sustains and spreads. The VRM (Virtual Resonance Modeling) technology featured in this instrument reproduces the complicated interaction of both string and soundboard resonance faithfully using a virtual musical instrument (physical modeling), and makes the sound more like a real acoustic piano. Since instantaneous resonance is made at the moment according to the state of the keyboard or pedal, you can vary the sound expressively by changing the timing of your pressing the keys, and the timing and depth of your pressing the pedal.

What is Duplex Scale?

Duplex scaling is a stringing method for pianos that uses extra, un-struck strings in the upper octaves to enhance the tone. These strings sympathetically vibrate with other strings in an acoustic piano, resonating with overtones, and adding richness, brilliance and complex color to the sound. Since they do not have a damper, they will continue sounding even after you release your hands from the keyboard.

What is Damper Noise?

Damper noise is the sound made on an acoustic piano when the damper pedal is pressed. The damper noise changes in tone and volume depending on how quickly the damper pedal is pressed down. Pressing the damper pedal slowly will make a quieter sound when the damper heads are released from the strings. Pressing the damper pedal with force will transmit the vibrations to the strings, which adds a lower and louder sound.

What is Grand Expression Modeling?

On an actual acoustic piano, subtle changes in the sound can be produced by changing your playing touch from when you press a key to when you release it. For example, when you press a key all the way to its bottom, the key hits the keybed underneath and the noise reaches the strings, changing the sound slightly. Furthermore, the tone when the damper is lowered onto strings to mute the sound is changed by how quickly you release the key. The Grand Expression Modeling technology recreates these subtle changes in the sound that respond to your touch. This allows you to add accents by playing strongly or add resonance by playing softly to produce superbly expressive sound. A crisp tone can be heard when playing staccato as well as a lingering sound produced when releasing the keys slowly.

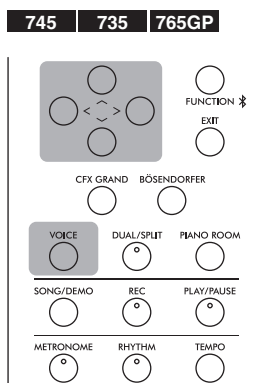
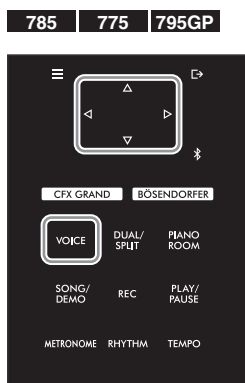
Playing Various Musical Instrument Sounds (Voices)

In addition to the wonderfully realistic piano sounds, you can select and play other musical instrument sounds (Voices), such as organ or stringed instruments. You can also select authentic Voices of fortepianos, which were made in 18th and 19th centuries.

Selecting Voices

The Voices of the instrument are conveniently divided into groups of instrument types. Select a desired Voice and play the keyboard.

You can also select a Voice from the XG Voices (CLP-785 and CLP-795GP only). For instructions, refer to page 31.



NOTE

To hear and experience the characteristics of the Voices, listen to the Demo Songs for each Voice (page 32).

NOTE

Touch Response will not be applied to some Voices. For information about the Voices to which Touch Response can be applied, refer to the "Preset Voice List" on page 106.

XG

XG is a major enhancement of the GM System level 1 format (page 43), and was developed by Yamaha specially to provide more Voices and variations, as well as greater expressive control over Voices and effects, and to ensure compatibility of data well into the future.

NOTE

For information about the Voices, refer to the "Preset Voice List" (page 106).

1. Press the [VOICE] button to call up the Voice group list.

Voice groups are listed in the display. The currently selected Voice group is highlighted.



2. Use the [▲]/[▼] buttons to select the Voice group.

Highlight the Voice group name you want to use.

3. Press the [>] button.

The Voices in the selected group are listed in the display.



NOTE

Press the [<] button to return to the Voice List for selecting the Voice Group.

4. Use the [^]/[v] buttons to scroll through the Voice list, and then press the [>] button to select the desired Voice.

The currently selected Voice name is shown in the display.

Voice display



You can select other Voices in order using the [<]/[>] buttons via the Voice display.

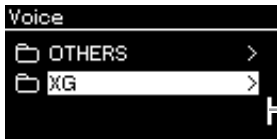
Press the [^] button to go back to the Voice list.

5. Play the keyboard.

Selecting XG Voices



If you want to select a Voice from the XG voices, select “XG” in step 2.



Scroll to the bottom of the display by pressing the [v] button.

Because the XG Voice group has an extremely large number of Voices, the group is divided into sub-groups. Press the [>] button to call up the Voice group list, then select the desired Voice group from the list by using the [^]/[v] buttons. After this, follow the procedure beginning with step 3 above.

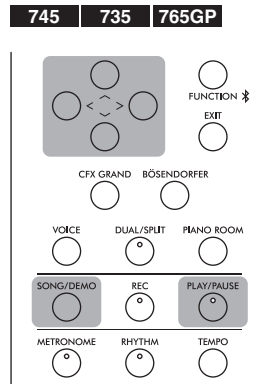
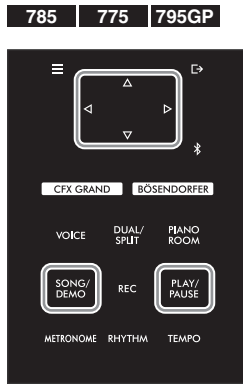
*For details on XG Voices, refer to the “Data List” on the website (page 8).

NOTE

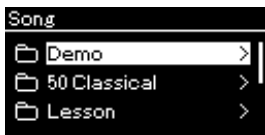
You can specify the Touch Response (how the sound responds to the way you play the keys). You should adjust this setting according to the specific Voice you’re playing or the particular Song you’re performing, as desired. For details on the settings, refer to “Touch” on page 97. You can also adjust the Touch Response for the Voices in the Piano group from the Piano Room display (page 28).

Listening to the Voice Demos

Several Demo recordings have been specially prepared to showcase the exceptional characteristics of the corresponding Voices. For information about the Voices that can be heard with these Demos, refer to the “Voice Demo Song List” on page 108.



1. Press the [SONG/DEMO] button to call up the Song list display.



2. Use the [^]/[v] buttons to select “Demo,” and then press the [>] button to call up the next display.
3. Use the [^]/[v] buttons to select the desired Voice Demo, and then press the [>] button to call up the Demo display.
The currently selected Voice Demo name is shown in the display.

Demo display



4. Press the [PLAY/PAUSE] button to start playback.
5. Press the [PLAY/PAUSE] button again to stop playback.
The Voice Demo stops automatically when Voice Demo playback reaches the end.

Selecting Other Demos

Press the [^] button to return to the Song list display, then repeat steps 3 – 4 of this section.

NOTE

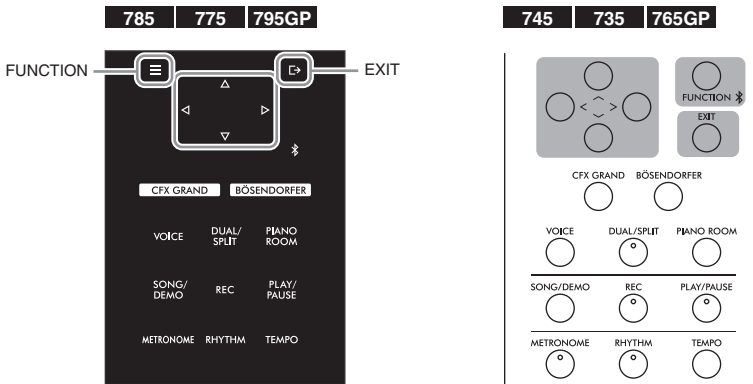
Recording operations cannot be used during Voice Demo playback.

Enhancing and Customizing the Sound

Applying the following effects gives you greater and richer expressive capabilities.

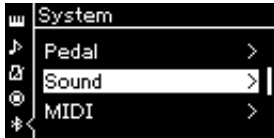
Brilliance

For adjusting the brightness of the sound or creating your own custom EQ settings. This setting is applied commonly to all parts (keyboard Voices/Song/MIDI).



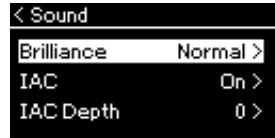
1. Press the [FUNCTION] button repeatedly to call up the “System” menu display, then select the highlighted item in each display as illustrated below.

“System” menu display



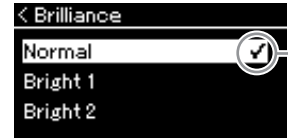
- 1-1. Use the [^]/[v] buttons to select “Sound.”
- 1-2. Press the [>] button to call up the next display.

Sound display



- 1-3. Use the [^]/[v] buttons to select “Brilliance.”
- 1-4. Press the [>] button to call up the next display.

Brilliance display



- 1-5. Use the [^]/[v] buttons to select the value.

Use the [^]/[v] buttons to select the desired tonality in the Brilliance display. To reset the default setting, hold down the [FUNCTION] button on the CLP-785/775/795GP, or press the [^]/[v] buttons simultaneously on the CLP-745/735/765GP.

Mellow 1 – 3	Soft and mellow tone. The sound becomes more mellow and warmer as the number increases.
Normal	Standard tone.
Bright 1 – 3	Bright tone. The sound becomes brighter as the number increases.
User	Opens the “User” display, where you can create your own custom EQ settings. The EQ (Equalizer) processes the sound by dividing the frequency spectrum into multiple bands, allowing you to boost or cut them as required to tailor the overall frequency response and provide optimum sound when listening through the instrument's internal speaker or headphones, etc. Refer to page 34 for details on operation.

Default setting: Normal

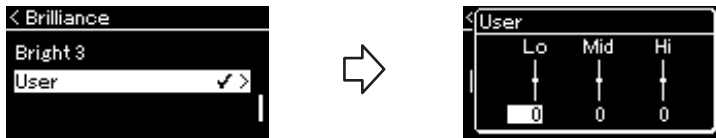
NOTE

If you select Bright 1 – 3 for the Brilliance setting, the volume level will increase slightly. In this condition, if you raise the [MASTER VOLUME] slider setting, the sound may become distorted. If this happens, lower the volume accordingly.

Setting the User EQ

1. Select “User” in the “Brilliance” display (the step 1-5 on page 33), and then press the [>] button.

A display in which you can set the gain for three frequency bands appears.



2. Use the [<]/[>] buttons to select a band, then use [^]/[v] buttons to boost or cut it.

To reset the gain for each frequency band to the default value, hold down the [FUNCTION] button on the CLP-785/775/795GP, or press the [^]/[v] buttons simultaneously on the CLP-745/735/765GP.



3. Press the [EXIT] button to close the “User” display.

Reverb

This control adds reverberation to the sound by simulating the natural reverberation of a concert hall. The ideal Reverb type is automatically selected whenever you select a Voice, but you can select any of the available Reverb types.

To select a desired Reverb type, use the “Voice” menu display: “Reverb” (page 87). You can also select the Reverb type for Voices in the Piano group from the Piano Room display (page 28).

This setting is applied commonly to all parts (keyboard Voices/Song/MIDI).

Chorus

This control adds warmth and spaciousness to the sound. The ideal Chorus type is automatically selected whenever you select a Voice, but you can select any of the available Chorus types.

To select a desired Chorus type, use the “Voice” menu display: “Chorus” (page 87).

This setting is applied commonly to all parts (keyboard Voices/Song/MIDI).

Effects

This instrument features a wide variety of Effects, letting you apply enhancements such as Echo or Tremolo to the selected Voice for your keyboard performance. You can select any of the available Effect types from the “Voice” menu display: “Voice Edit” → “Effect” (page 88).

Default setting: 0 dB

Setting range: -6 dB – 0 – +6 dB

NOTE

You can adjust the Reverb depth for the selected Voice from the “Voice” menu display: “Voice Edit” → “Reverb Depth” (page 88).

NOTE

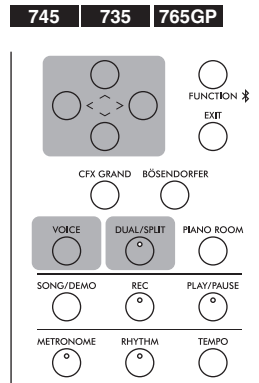
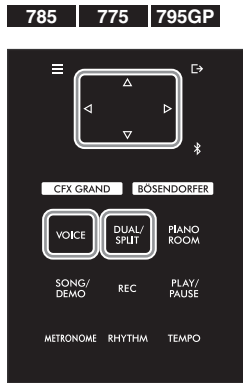
You can adjust the Chorus depth for the selected Voice from the “Voice” menu display: “Voice Edit” → “Chorus Depth” (page 88).

NOTE

When you want to apply the Chorus effect to a Voice whose Chorus type is set to off by default, set the Chorus type to something other than “Off,” then set the Chorus depth value as desired (greater than “0”).

Playing Two Voices Simultaneously (Dual)

Two Voices can be played simultaneously. You can create warm and richly textured Voices by using Voices from different groups simultaneously in a layer, or by using Voices in the same group.



1. Press the [DUAL/SPLIT] button once to enter the Dual mode.

(CLP-785/775/795GP) The color of the [DUAL/SPLIT] button changes to orange.

(CLP-745/735/765GP) The [DUAL/SPLIT] button lamp lights up.



The Voice which is displayed at top is Voice 1, and the one at bottom is Voice 2.

2. Select the Voices for layering.

2-1. Use the [\wedge]/[\vee] buttons to highlight **1** (Voice 1) in the display.

2-2. Use the [\lt]/[\gt] buttons or the [VOICE] button to select the desired Voice.

If you use the [VOICE] button to call up the Voice group list, press the [\gt] button to select a Voice, and then return to the previous display.

Use the [\wedge]/[\vee] buttons to highlight **2** (Voice 2), and then select a Voice in the same way.

3. Play the keyboard.

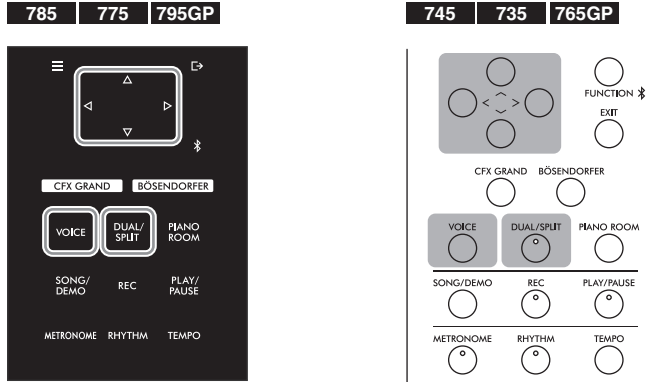
4. Press the [DUAL/SPLIT] button to exit from the Dual mode.

(CLP-785/775/795GP) The color of the [DUAL/SPLIT] button returns to white.

(CLP-745/735/765GP) The [DUAL/SPLIT] button lamp goes out.

Splitting the Keyboard Range and Playing Two Different Voices (Split Mode)

Split mode enables you to play two different Voices on the keyboard—one with your left hand and another with your right.



1. Press the [DUAL/SPLIT] button twice to enter the Split mode.

(CLP-785/775/795GP) The color of the [DUAL/SPLIT] button changes to orange.

(CLP-745/735/765GP) The [DUAL/SPLIT] button lamp lights up.



The Voice which is displayed at top is Voice R, and the one at bottom is Voice L.

2. Select a Voice for the right-hand area and left-hand area.

2-1. Use the [^]/[v] buttons to highlight **[R]** (Voice R) in the display.

2-2. Use the [<]/[>] buttons or the [VOICE] button to select the desired Voice.

If you use the [VOICE] button to call up the Voice group list, press the [>] button to select a Voice, and then return to the previous display.

Use the [^]/[v] buttons to highlight **[L]** (Voice L), and select a Voice in the same way.

3. Play the keyboard.

Changing the Split Point

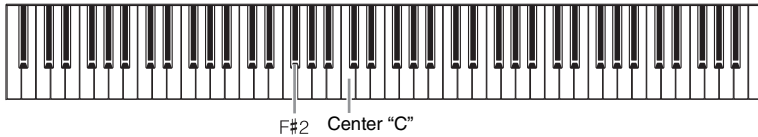
You can change the Split Point (the border between the right- and left-hand ranges) from the default setting “F#2” to any other key. While in the Split mode, hold down the [DUAL/SPLIT] button, and press the key you wish to assign as the Split Point.

NOTE

The specified Split Point key is included in the left-hand range.

NOTE

The Split Point can also be set via the menu display. For details, refer to “Split Point” on page 98.



4. Press the [DUAL/SPLIT] button to exit from the Split mode.

(CLP-785/775/795GP) The color of the [DUAL/SPLIT] button returns to white.

(CLP-745/735/765GP) The lamp of the [DUAL/SPLIT] button turns off.

Using Dual and Split Simultaneously

1. Press the [DUAL/SPLIT] button three times to turn the Dual and Split modes on.

(CLP-785/775/795GP) The color of the [DUAL/SPLIT] button changes to orange.

(CLP-745/735/765GP) The [DUAL/SPLIT] button lamp lights up.



The Voice displayed at top is Voice R1, the one in the middle is Voice R2, and the one at bottom is Voice L.

2. Select the Voices for layering and for the left-hand area.

2-1. Use the [^]/[v] buttons to highlight **R1** (Voice R1) in the display.

2-2. Use the [<]/[>] buttons or the [VOICE] button to select the desired Voice.

If you use the [VOICE] button to call up the Voice group list, press the [>] button to select a Voice, and then return to the previous display.

Use the [^]/[v] buttons to highlight **R2** (Voice R2) and **L** (Voice L), and select Voices in the same way.

3. Play the keyboard.

4. Press the [DUAL/SPLIT] button to exit from the Dual and Split mode.

(CLP-785/775/795GP) The color of the [DUAL/SPLIT] button returns to white.

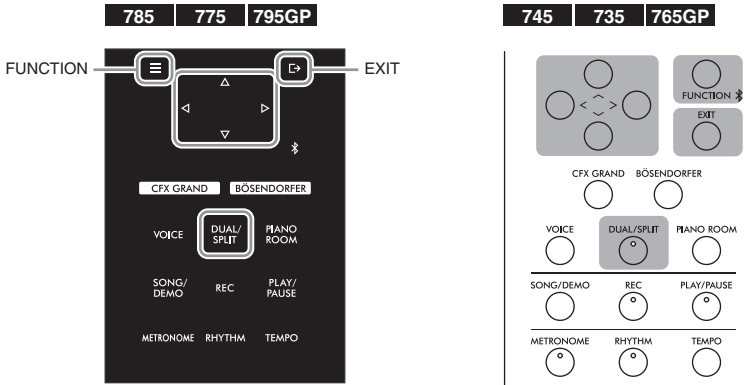
(CLP-745/735/765GP) The lamp of the [DUAL/SPLIT] button turns off.

NOTE

- The specified Split Point key is included in the left-hand range.
- For the information on setting the Split Point, refer to page 36.

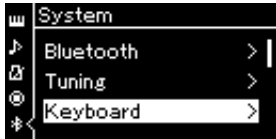
Playing Duo

This function allows two different players to play the instrument, one on the left and the other on the right. This is convenient for practicing duets over the same octave range.



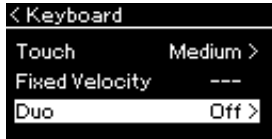
1. Press the [FUNCTION] button repeatedly to call up the “System” menu display, and then select the highlighted item in each display as illustrated below.

“System” menu display



- 1-1. Use the [^]/[v] buttons to select “Keyboard.”
- 1-2. Press the [>] button to call up the next display.

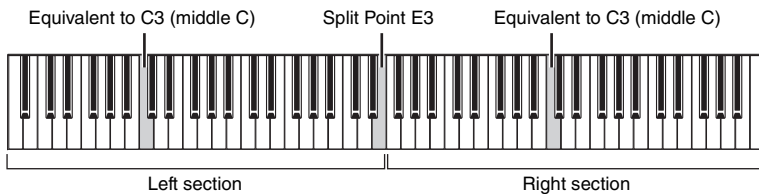
Keyboard display



- 1-3. Use the [^]/[v] buttons to select “Duo.”
- 1-4. Press the [>] button to select “On.”

(CLP-785/775/795GP) The color of the [DUAL/SPLIT] button changes to orange.

(CLP-745/735/765GP) The [DUAL/SPLIT] button lamp lights up. The keyboard is divided into two sections, with the E3 key as the Split Point.



The pedal function changes as follows.

Right Pedal	Damper pedal for the right-hand range
Center Pedal	Damper pedal for both the right-hand and left hand ranges
Left Pedal	Damper pedal for the left-hand range

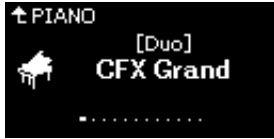
NOTE

- In Duo, VRM is not effective.
- When the Type of Duo (page 98) is set to “Separated,” Reverb and Binaural Sampling/Stereophonic Optimizer are not effective.

NOTE

The specified Split Point key is included in the left-hand range.

2. Press the [EXIT] button to exit from the menu display.
[Duo] is shown in the Voice display while Duo mode is on.



3. Play the keyboard.
The sound of left-hand range is emitted from the left, the sound of right-hand range is emitted from the right by default.
4. Press the [DUAL/SPLIT] button to exit from the Duo mode.
You can also exit from the Duo mode by following either of the instructions below.
 - Press any of the [CFX GRAND], [BÖSENDORFER], [PIANO ROOM] buttons.
 - Repeat the same procedure from step 1 to set it to “Off.”

NOTE

You can listen to the sounds played by two players through both speakers as well, with a natural balance of sound. Press the [FUNCTION] button repeatedly to call up the “System” menu display, then change the settings in “Keyboard” → “Type” (page 98).

Using the Metronome

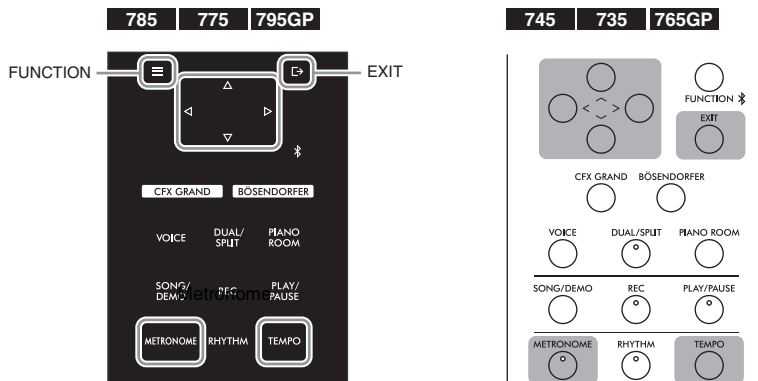
The instrument has a built-in metronome (a device that keeps an accurate tempo)—a convenient tool for practice.

1. Press the [METRONOME] button to start the metronome.
This calls up the Tempo display, from which you can adjust the tempo. For details, see next section.
2. Press the [METRONOME] button to stop the metronome.
To close the Tempo display, press the [EXIT] button.

NOTE

You can set the metronome volume, BPM and so on from the “Metronome/Rhythm” menu display (page 95).

Adjusting the Tempo



1. Press the [TEMPO] button to call up the Tempo display.



2. Use the [<]/[>] buttons to adjust the tempo.

You can adjust the tempo value (number of beats per minute) using the [<]/[>] buttons.

To reset tempo to the default setting

CLP-785/775/795GP: Hold down the [FUNCTION] button.

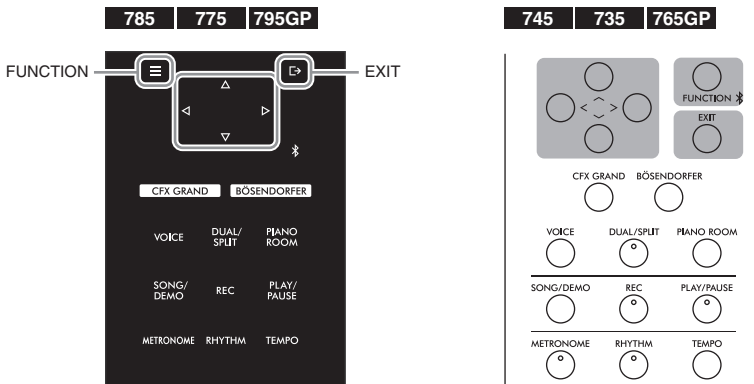
CLP-745/735/765GP: Press the [<] and [>] buttons simultaneously.

3. Press the [EXIT] button to close the Tempo display.

NOTE

For information on setting the time signature, refer to page 40.

Setting the metronome time signature



1. Press the [FUNCTION] button repeatedly to call up the “Metronome/Rhythm” menu display.

2. Use the [^]/[v] buttons to select “Time Sig.” and then press the [>] button.

Time Signature display



3. Use the [\wedge]/[\vee] buttons to select the desired time signature.

Setting range: 2/2, 1/4, 2/4, 3/4, 4/4, 5/4, 6/4, 7/4, 3/8, 6/8, 7/8, 9/8, 12/8

Default setting: 4/4 (Selecting a MIDI Song will change the tempo value to that specified in the selected MIDI Song data.)

Tempo indication and Setting range

Tempo is displayed as “note type=xxx” (For example: ♩ =120). Selecting the Time Signature changes the available parameters as follows.

Note type	Time Signature	Setting range
♩ Half note	2/2	3 – 250
♩ Quarter note	1/4, 2/4, 3/4, 4/4, 5/4, 6/4, 7/4	5 – 500
♩. Dotted quarter note	6/8, 9/8, 12/8	4 – 332 (even numbers only)
♩ Eighth note	3/8, 7/8	10 – 998 (even numbers only) and 999

- * When the tempo value of the selected MIDI Song is outside the setting range on the instrument, the value will be changed to fit within the setting range.
- * Note type will be fixed to quarter note as long as the “BPM” parameter in the “Metronome/Rhythm” menu display is set to “Crotchet” regardless of the Time Signature you set.

4. Turn the “Bell” setting on.

For details, refer to “Bell” in the “Metronome/Rhythm” menu (page 95). The Metronome plays back according to the selected Time Signature with the Bell sound on the first beat of each measure.

5. Press the [EXIT] button to close the “Metronome/Rhythm” menu display.

Note type

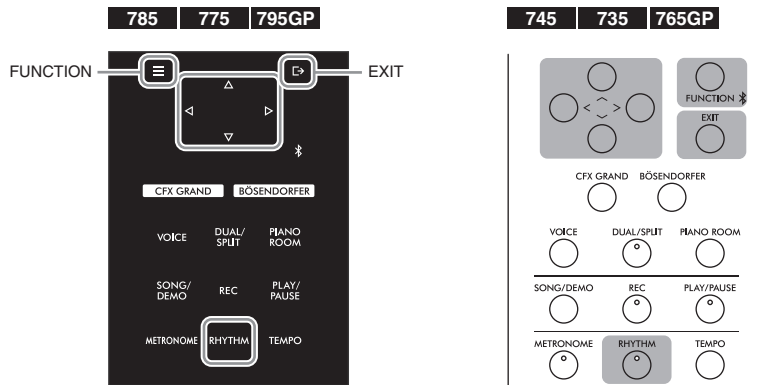
The length of one beat

Metronome detailed settings

You can set the metronome volume, BPM and so on from the “Metronome/Rhythm” menu display (page 95).

Playing the Keyboard along with Rhythm Playback

This instrument features various rhythm patterns, allowing you to play and perform along with dynamic Rhythm playback. The preset Rhythms consist of drums and bass accompaniment.



About the Rhythm Tempo

- The Rhythm tempo is equivalent to that set for the Metronome (page 39).
- Even if you set the Rhythm tempo, selecting a MIDI Song will change the tempo value to that specified in the selected MIDI Song data.

Detailed Settings for the Rhythm

From the “Metronome/Rhythm” menu display (page 95), you can set detailed parameters, such as Rhythm volume and Sync Start, letting you start Rhythm playback by simply pressing a key.

NOTE

The Rhythm display cannot be called up during Song playback or recording.

To set the Intro/Ending on or off

“Intro” and “Ending” allow you to vary the arrangement of the accompaniment. You can set “Intro” and “Ending” on/off via “Intro” or “Ending” in the “Metronome/Rhythm” menu display (page 95).

NOTE

- Some arrangements may not be suitable for use with this feature.
- 9th, 11th and 13th chords cannot be recognized.
- For details on how to play chords, refer to commercially available chord books.

1. Press the [RHYTHM] button to start Rhythm playback. Intro playback starts followed by the Rhythm playback.



2. Use the [<]/[>] buttons to call up the desired Rhythm. For details on the available Rhythms, refer to the Rhythm List (page 110).
3. Play the keyboard along with Rhythm playback. The instrument will automatically create appropriate accompaniment bass sound while you play, based on the chords you play. The default setting of the bass sound is “On.” If you don’t want to have the bass accompaniment sound, set it to “Off.” Press the [FUNCTION] button repeatedly to call up the “Metronome/Rhythm” menu display, and make the settings in “Bass.”
4. To stop Rhythm playback, press the [RHYTHM] button again. The Rhythm will automatically stop after an Ending is played.
5. Press the [EXIT] button to exit from the Rhythm display.

Playing Back Songs

This instrument can play Preset Songs, Songs you recorded on this instrument, or commercially available Songs. In addition to listening to these Songs, you can play the keyboard as the Song plays back.

MIDI Songs and Audio Songs

There are two kinds of Songs that can be recorded and played back on this instrument: MIDI Songs and Audio Songs.

A MIDI Song is comprised of your keyboard performance information and is not a recording of the actual sound itself. The performance information refers to which keys are played, at what timing, and at what strength—just as in a musical score. Based on the recorded performance information, the tone generator (of the Clavinova, etc.) outputs the corresponding sound. A MIDI Song uses a small amount of data capacity in comparison to an Audio song, and allows you to easily change aspects of the sound, such as Voices used, etc.

An Audio Song is a recording of the performed sound itself. This data is recorded in the same way as that used with voice recorders, etc. This data can be played with a portable music player, etc., allowing you to easily let other people hear your performance.

Availability of functions differs between MIDI Songs and Audio Songs. In this chapter, the following icons indicate whether or not the explanation applies to MIDI Songs or Audio Songs individually.

Example:   Indicates explanation applies only to MIDI Songs

You can play back the following types of Songs in this instrument.

- Preset Voice Demo Songs (Voice Demo).
- Preset Songs: 50 classical Preset Songs (“50 Classical”) and 303 Lesson Songs (“Lesson”)
- Your own recorded Songs (see page 54 for instructions on recording)
- Commercially available MIDI Song data: SMF (Standard MIDI File)
The maximum size for playback on this instrument is approx. 500KB per single MIDI Song.
- Commercially available Audio Song data: Wav (file extension = .wav with 44.1 kHz sample rate, 16-bit resolution, stereo, and maximum 80 minutes length)

The CLP-785 and CLP-795GP are compatible with the following formats.

GM System Level 2

“GM (General MIDI)” is one of the most common Voice allocation formats. “GM System Level 2” is a standard specification that enhances the original “GM” and improves Song data compatibility. It provides for increased polyphony, greater Voice selection, expanded Voice parameters, and integrated effect processing.

XG

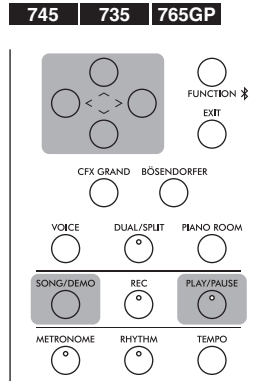
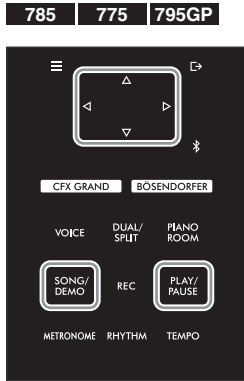
XG is a major enhancement of the GM System Level 1 format, and was developed by Yamaha specifically to provide more Voices and variations, as well as greater expressive control over Voices and effects, and to ensure compatibility of data well into the future.

GS

GS was developed by the Roland Corporation. In the same way as Yamaha XG, GS is a major enhancement of the GM specifically to provide more Voices and Drum kits and their variations, as well as greater expressive control over Voices and effects.

Song Playback

MIDI | Audio



NOTE

The instrument can automatically select a Song file saved in the root directory of the USB flash drive as soon as the USB flash drive is connected. For instructions, refer to "USB Autoload" on page 100.

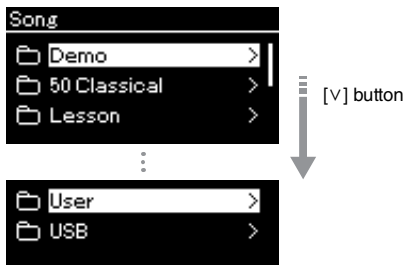
1. If you want to play back a Song in a USB flash drive, connect the USB flash drive containing Song data to the USB [TO DEVICE] terminal beforehand.

Audio files to be played must be on a USB flash drive.

2. Press the [SONG/DEMO] button to call up the Song List display, then select the desired category using [^]/[V] buttons.

Select the desired one from "50 Classical," "Lesson," "User" or "USB" referring to the category descriptions below.

Song category



Demo	Voice Demos let you experience the characteristics of the Voices (MIDI Song). Refer to page 32 for how to play back the Demo. For Song names, refer to the "Voice Demo Song List" on page 108.
50 Classical	50 classical Preset Songs (MIDI Songs). For these Songs, see the music book "50 Classical Music Masterpieces," included with this instrument. For details, refer to the "Song List" on page 109.
Lesson	303 Preset Songs (MIDI Songs) ideal for practice, taken from "The Virtuoso Pianist" and others. For these Songs, refer to the Lesson Songs on page 109. Lesson Songs are divided into several folders depending on the types.
User	MIDI Songs which have been recorded and saved to the instrument by using the Record function (page 54), and MIDI Songs which have been copied/moved to the instrument using File operations (page 65).
USB	MIDI/Audio Songs saved to the USB flash drive by recording them with this instrument or Audio Songs converted from MIDI Songs (page 69), or MIDI/Audio Songs saved to the USB flash drive.

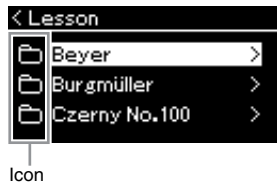
NOTE

Before using a USB flash drive, be sure to read "Connecting USB Devices (USB [TO DEVICE] terminal)" on page 74.

3. Press the [>] button to display the Songs in the specified category, and then select a desired Song using the [^]/[v] buttons.

When “User” or “USB” category is selected, the icon indicating Song types are shown to the left of the Song name.

Song List



Icon	Data format
	Folder
	MIDI Songs
	Audio Songs

Since the Lesson Songs are conveniently divided into specific folders, select the desired folder, press the [>] button, and then select a Song.

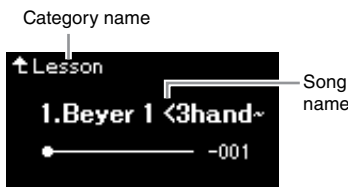
To select a recorded Song saved to USB flash drive:

When you record a Song and save it to a USB flash drive, the recorded Song will automatically be saved to the USER FILES folder on a USB flash drive. If you want to select the Song from the USER FILES folder, select USB in step 2, and USER FILES folder in step 3.

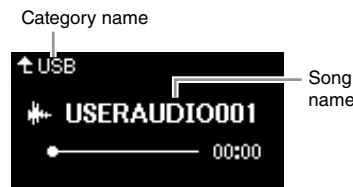
4. Press the [>] button to select the desired Song.

The Song display lets you to see the currently selected Song name and its category name.

Song display: MIDI Song



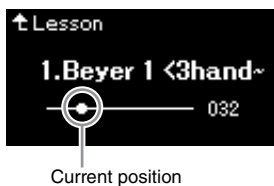
Song display: Audio Song



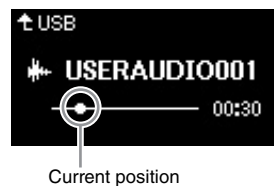
5. Press the [PLAY/PAUSE] button to start playback.

The current position of the Song playback will be shown.

Song display: MIDI Song



Song display: Audio Song



You can play the keyboard along with Song playback. You can also change the Voice for your keyboard performance. To adjust the volume balance between your keyboard performance and MIDI Song playback, or to adjust the Audio Volume, set the appropriate Volume parameters individually in the “Song” menu display (page 52).

NOTE

Press the [<] button to return to the category/folder.

NOTE

“NoSong” will be shown in the display when no data exists in that folder.

When Songs cannot be read from a USB flash drive

If the song cannot be read, you may need to change the Language setting for the Song name in the “System” menu display (page 101).

NOTE

Press the [^] button to return to the Song list.

NOTE

When the Song title is too long to be displayed, press the [v] button to see the full title.

NOTE

If a Song has been selected, the original tempo of the Song is used, and the Metronome setting (page 39) will be ignored.

6. Press the [PLAY/PAUSE] button again to stop playback.

Even if you don't press the [PLAY/PAUSE] button, the Song stops automatically when Song playback reaches the end.

NOTE

Useful playback functions are described on pages 48 – 53.

Rewind/Fast forward/Returning to the top of the Song

1. Use the [<] and [>] buttons to move back or forth through the Song (in bars or seconds), while the Song display is shown.

Song display: MIDI Song



Measure number

Song display: Audio Song



Elapsed time

Holding the corresponding button scrolls backward/forward continuously.

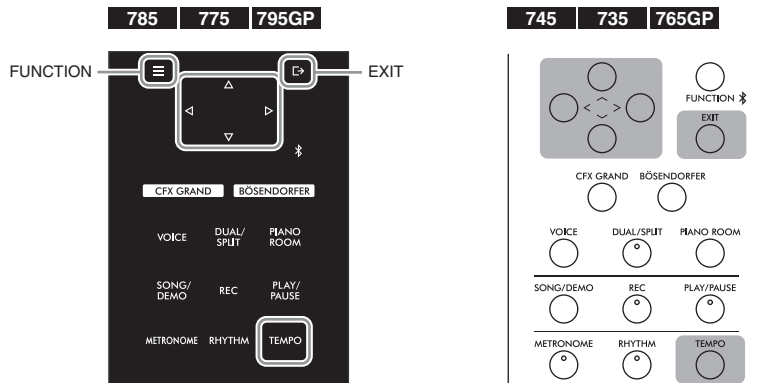
Returning to the top of the Song

(CLP-785/775/795GP) Hold down the [FUNCTION] button.

(CLP-745/735/765GP) Press the [<] and [>] buttons simultaneously.

Adjusting the tempo

You can adjust the playback tempo of a Song.



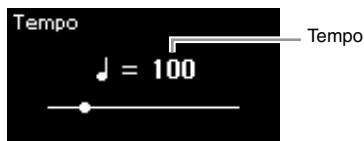
NOTE

Changing the tempo of an Audio Song may change its tonal characteristics.

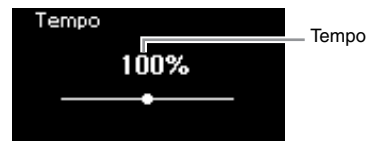
1. Press the [TEMPO] button to call up the Tempo display.

For a MIDI Song, press the [TEMPO] button during Song playback or while the Song display is shown. For an Audio Song, press the [TEMPO] button during Song playback.

MIDI Song



Audio Song



2. Change the Tempo value using the [<]/[>] buttons.

To recall the original tempo (the tempo particular to the Song), hold down the [FUNCTION] button on the CLP-785/775/795GP, or press the [<] and [>] buttons simultaneously on the CLP-745/735/765GP. When a MIDI Song is selected, the tempo range differs depending on the Time Signature for a selected Song. Available setting values may only include even numbers (multiples of 2), depending on the Time Signature. For more information, refer to page 41.

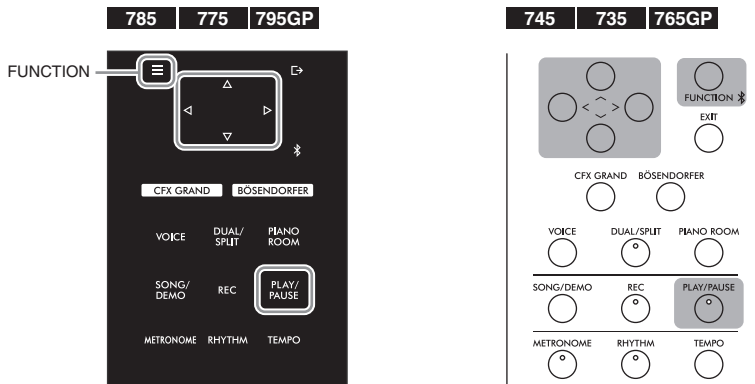
When an Audio Song is selected, the tempo range is between 75% – 125%. 100% is the original tempo value. Higher values result in a faster tempo.

3. Press the [EXIT] button to exit from the Tempo display.

Playing a One-hand Part — Part Cancel Function (MIDI Songs)

MIDI Audio

Some MIDI Songs, such as Preset Songs, are divided into right-hand and left-hand parts. By using such Song data, you can practice the left hand by turning on only the right-hand part, and practice the right hand by turning on only the left-hand part—allowing you to practice parts separately for easy mastery of difficult material.



1. Select a Song for practicing.

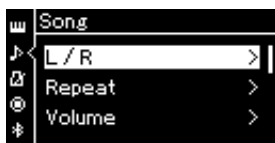
For instructions, refer to page 44. Song categories “50 Classical” and “Lesson” are recommended for this.

2. Select a part you want to practice, then set the part to off.

Press the [FUNCTION] button repeatedly to call up the “Song” menu display, then select the highlighted item in each display as illustrated below.

In the “L/R” display, select the part (track) you want to mute for practicing. Select “R” for practicing the right-hand part, or “L” for the left-hand part.

“Song” menu display



L/R display



- 2-1. Use the [^]/[v] buttons to select “L/R.”
- 2-2. Press the [>] button to call up the next display.

- 2-3. Use the [^]/[v] buttons to select desired track.

3. Use the [>] button to select “Off” for the selected part.

NOTE

The parts can be turned on or off even during playback.

NOTE

Usually, Channel 1 is assigned to “R,” Channel 2 is assigned to “L,” and Channels 3 – 16 are assigned to “Extra.” However, the assignments may differ depending on the particular Song. Channels assigned to “Extra” cannot be set to on or off individually.

NOTE

Some songs in “50 Classical” and “Lesson” categories are duet songs. Refer to page 109 about part assignment for the duet songs.

NOTE

Whenever you select another MIDI Song, both parts are automatically turned on.

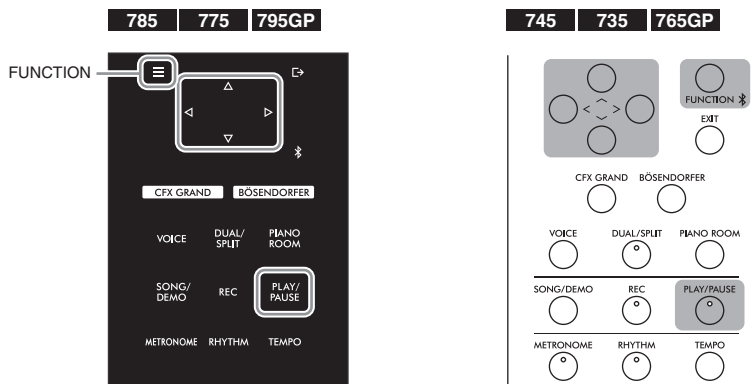
4. **Press the [PLAY/PAUSE] button to start playback.**
Play and practice the part you just muted.
5. **Press the [PLAY/PAUSE] button again to stop playback.**
Even if you don't press the [PLAY/PAUSE] button, the Song stops automatically when Song playback reaches the end.

Playing Back a Song Repeatedly

There are three Repeat items as follows. These are convenient for repeatedly practicing difficult phrases. It is a good idea to use this function and the Part Cancel function (above) for practicing difficult phrases, in the case of MIDI Songs.

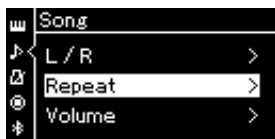
- **AB Repeat** Play a MIDI Song repeatedly by designating a specific range within the Song.
- **Phrase Repeat** Play a MIDI Song repeatedly by designating a phrase or phrases within the Song.
- **Song Repeat** Play a MIDI/Audio Song repeatedly, or play all MIDI/Audio Songs saved in a designated folder repeatedly in order or in random order.

The explanations here apply only to AB Repeat and Song Repeat. For Phrase Repeat, refer to page 92.

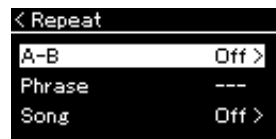


1. **Select a Song to be played back.**
For instructions, refer to page 44.
2. **Call up the Repeat display.**
Press the [FUNCTION] button repeatedly to call up the “Song” menu display. Select “Repeat,” then press the [>] button.

“Song” menu display



Repeat display



3. In the Repeat display, select a desired item using the [^]/ [v] buttons, then press the [>] button.

If you want to set AB Repeat, select “A – B.”

If you want to set Song Repeat, select “Song.”

4. Set in the appropriate setting display.

- **AB Repeat**See below.
- **Song Repeat**See page 51.

AB Repeat setting



Specify the repeat range.

4-1. Press the [PLAY/PAUSE] button to start Song playback.

4-2. Press the [>] button at the starting point (A) of the range to be repeated.

A – B display



4-3. Press the [>] button again at the ending point (B).

After an automatic lead-in (to help guide you into the phrase), the range from Point A to Point B is played back repeatedly.

5. To turn off the Repeat function, press the [>] button while “Repeat Off” is highlighted, or select another Song.



Specifying the top of a Song as Point A

Specify Point A before starting playback, then start playback and specify Point B.

Specifying the end of a Song as Point B

Specifying only Point A results in repeat playback between Point A and the Song end (as Point B).

NOTE

You can also specify the repeat range by the following procedure.

- 1 Highlight the measure number using the [^] button, then fast-forward the Song to Point A using the [<]/[>] buttons.
- 2 Highlight “Set A” using the [v] button, then press the [>] button.
After specifying Point A, the display for specifying Point B is called up.
- 3 Specify Point B in the same way as Point A.

Song Repeat setting

MIDI | Audio

- 4-1. Select the desired Repeat type using the [^]/[v] buttons in the setting display.

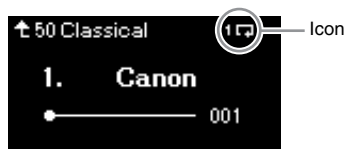
Setting display






Off	Disables repeated playback.
Single	Plays through the selected file repeatedly.
All	Continuously plays back all Songs within a designated range in order.
Random	Continuously plays back all Songs within a designated range in random order.

- 4-2. Press the [PLAY/PAUSE] button to start Repeat playback.

Icons corresponding to each Repeat setting are shown on the Song display.



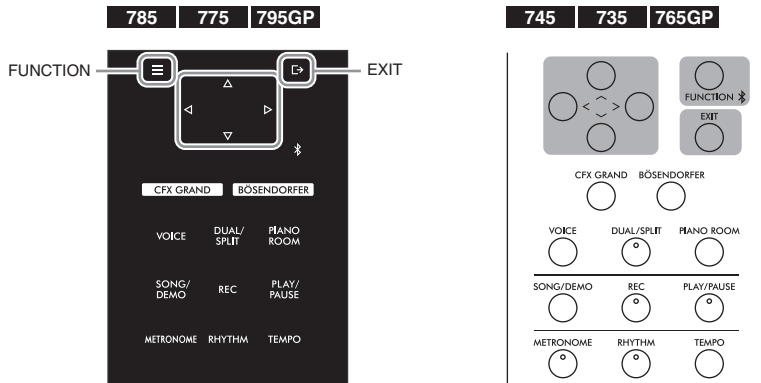
While the Repeat setting is on,  (Single), , or  (Random) is shown in the upper right corner of the Song display.

5. To turn off the Repeat function, press the [PLAY/PAUSE] button again to stop playback, and then select “Off” in step 4-1.

Adjusting the Volume Balance

MIDI | **Audio**

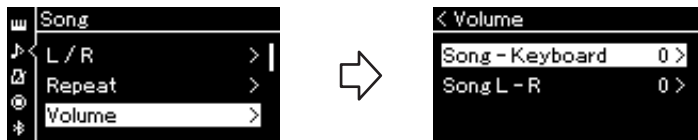
When a MIDI Song is selected, you can adjust the Volume balance between the Song playback and the sound you are playing on the keyboard, or between the Right and Left parts of the selected Song. When an Audio Song is selected, you can adjust the Audio Song volume.



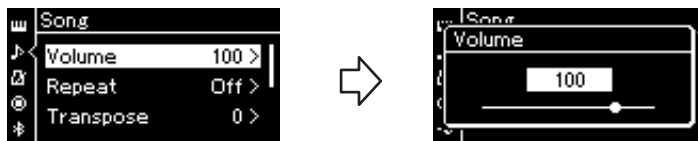
Select the desired Song beforehand. For instructions, refer to page 44.

1. Press the [FUNCTION] button repeatedly to call up the “Song” menu display. Select “Volume,” and then press the [>] button.

“Song” menu display (When a MIDI Song is selected)



“Song” menu display (When an Audio Song is selected)



2. When a MIDI Song is selected, select “Song – Keyboard” or “Song L – R” using the [^]/[v] buttons, then press the [>] button to call up the setting display. When an Audio Song is selected, use the [<]/[>] buttons to set the Audio playback volume. After setting the value, go on to step 4.

NOTE

Some commercially available music data contain extremely high volumes. When using such data (MIDI Song), adjust the “Song – Keyboard” setting.

Song – Keyboard	Adjust the Volume balance between the MIDI Song playback and the sound you are playing on the keyboard.
Song L – R	Adjust the Volume balance between the Right and Left parts of the selected MIDI Song.

3. Adjust the Volume balance by using the [<]/[>] buttons.

In the case of “Song – Keyboard”:



The volume of your playing will be lower. The Song playback volume will be lower.

In the case of “Song L – R”:



R part volume will be lower. L part volume will be lower.

4. Press the [EXIT] button twice to exit from the “Song” menu display.

Whenever you select another MIDI Song, the setting for “Song L – R” is restored to its default setting. As for “Song – Keyboard” and Audio Volume, selecting another Song will not reset the value.

NOTE

The selected parameters of “Song – Keyboard” will be maintained (Backup Setting) even when the power is turned off. Make sure not to set the volume levels to minimum. Otherwise the sound of keyboard or songs will not be played. You can change the settings to maintain the selected parameter or not. For details, refer to “Backup Setting” on page 104.

Useful Playback Functions

MIDI | Audio

Starting/pausing playback by using a pedal

You can assign the Song Play/Pause function (the same function as the [PLAY/PAUSE] button on the control panel) to the center or the left pedal. Press the [FUNCTION] button repeatedly to call up the “System” menu display, and then select “Pedal” → “Play/Pause” to make the assignment. For details, refer to page 98.

This is convenient for starting or pausing playback when you are performing and can't take your hands from the keyboard.

Transposing the pitch of a Song

You can shift the pitch of Song playback up or down in semitone intervals. Press the [FUNCTION] button repeatedly to call up the “Song” menu display → “Transpose.” For details, refer to page 92.

Recording Your Performance

This instrument allows you to record your performance in the following two methods.

• **MIDI Recording** MIDI

With this method, recorded performances are saved to the instrument or a USB flash drive as an SMF (format 0) MIDI file. If you want to re-record a specific section or edit parameters such as Voice, use this method. Also you can record your performance to each Track one by one. Since a MIDI Song can be converted to an Audio Song after recording (page 69), you may want to use MIDI recording (with overdubbing and multiple parts) to first create a complex arrangement you would not otherwise be able to play live, then convert it to an Audio Song. This instrument allows you to record approximately 500 KB of data per Song.

• **Audio Recording** Audio

With this method, recorded performances are saved to a USB flash drive as an Audio file. Recording is done without designating the recorded part. Since it is saved in stereo WAV format of normal CD quality resolution (44.1 kHz/16 bit), it can be transmitted to and played on portable music players by using a computer. Because the audio sound input* from the external device is also recorded, you can record your keyboard performance along with the performance sound of the connected audio device, computer, or smart device, etc. This instrument allows you to record up to 80 minutes per single recording.

*Audio sound input (Audio input sound): Audio data sent to this instrument from the external devices such as a computer or a smart device, etc., when connecting the instrument with the devices via [AUX IN] jack, [USB TO HOST] terminal, wireless LAN, or Bluetooth. For connection with these devices, refer to the “Connections” section from page 71.

For details about the difference between MIDI Songs and Audio Songs, refer to page 43.

Recording Methods

This chapter covers the following four methods. Note that the created data format differs depending on the method, MIDI or Audio.

• **Quick MIDI Recording** MIDI **page 55**

This method lets you start recording most quickly. Your performance will be recorded and saved to the “User” category in this instrument’s internal memory.

• **MIDI Recording — Independent Tracks** MIDI **page 57**

This lets you record the right, left and extra parts separately. Since you can record the left part while playing back the right, this is useful for recording both parts of a duet. Since you can record up to sixteen parts separately, record the performance of each instrument part one by one and create fully orchestrated compositions.

• **MIDI Recording to the USB Flash Drive** MIDI **page 59**

This method is useful when you want to overwrite the already recorded MIDI Song in the USB flash drive or create a New MIDI Song on the USB flash drive.

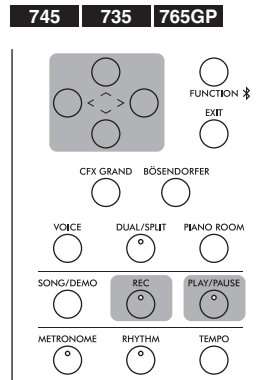
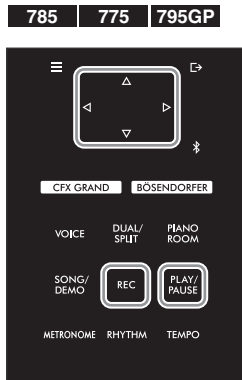
• **Audio Recording to the USB Flash Drive** Audio **page 60**

This method lets you record your performance as Audio data to the USB flash drive connected to the USB [TO DEVICE] terminal.

Quick MIDI Recording

MIDI

This is the quickest way to start recording.



1. Make the necessary settings such as Voice selection and time signature.

Before starting the Recording operation, select a Voice (page 30) for your keyboard performance, turn Dual/Split/Duo on or off as desired, set the tempo and time signature of the Metronome/Rhythm (page 39), then select a Reverb/Chorus/Effect type as desired.

2. Press the [REC] (Record) button to enter the Recording mode.

A blank new Song for recording is automatically set.

REC display

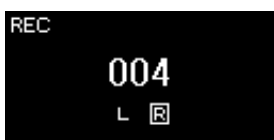


The [PLAY/PAUSE] button will flash at the current tempo.
To exit from the Recording mode, press the [REC] (Record) button again.

3. Play the keyboard (or press [PLAY/PAUSE]) to start recording.

When you wish to record an empty section at the start of the Song, press the [PLAY/PAUSE] button to start recording.

REC display (during recording)



NOTE

If you want to record the left-hand and right-hand parts individually, refer to "MIDI Recording—independent Tracks" (page 57), since the Recording method here assumes that both the left and right parts are being recorded together.

Using the Metronome/Rhythm

You can use the Metronome/Rhythm while recording. While the Metronome sound cannot be recorded, the Rhythm sound can. Make sure to enter the Recording mode before starting Rhythm playback, since entering the Recording mode during playback of the Rhythm stops its playback.

NOTE

The "Song – Keyboard" Volume Balance (page 52) will not be recorded.

NOTE

With MIDI recording, the performance will be recorded to Track 1. However, in the Dual/Split/Duo mode, the tracks assigned for recording and the tracks actually used for recording are different. For details refer to "Recording Track Assignment" on page 57.

Mode:

A mode is a status under which you can execute a certain function. In Recording mode, you can record Songs.

NOTE

Pressing and holding the [REC] button for a second will call up the display which lists the Recording Target Songs. In this case, select "New Song" then press the [>] button referring to the table on page 59.

To start recording as soon as a Rhythm starts:

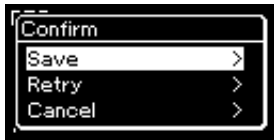
When a Rhythm (page 42) is selected, press the [RHYTHM] button to start Rhythm playback and MIDI recording simultaneously.

4. After you finish your performance, press the [REC] (Record) button again to stop recording.

This operation exits from the Recording mode and calls up the display for saving the recorded performance data.

5. If you want to save the recorded performance, press the [>] button to execute the Save operation while “Save” is highlighted.

After the Save operation is completed, the display shows “Save Completed” then returns to the Song display. The recorded Song will be named “USERSONGxxx” (xxx: number) and saved in the “User” category.



- If you are not satisfied with your performance and want to record again, highlight “Retry” then press the [>] button. Try recording again from step 3.
- If you do not want to save the recorded data, highlight “Cancel” then press the [>] button.

6. To hear the recorded performance, press the [PLAY/PAUSE] button.

Data that can be recorded to MIDI Songs	
<p>Data for each Track</p> <ul style="list-style-type: none"> • Note data (your keyboard performance) • Voice selection • Pedal operations (Damper/Soft/Sostenuto) • Reverb Depth • Chorus Depth • Effect Depth • Sound brightness — “Brightness” • Resonance effect setting — “HarmonicContent” • Octave • Volume setting for each Voice — “Volume” • Pan for each Voice • Detune • Touch Sensitivity • Grand Expression Modeling data 	<p>Data commonly for all Tracks</p> <ul style="list-style-type: none"> • Scale • Tempo • Time Signature • Reverb Type • Chorus Type • Effect Type

NOTICE

The recorded MIDI Song will be lost if you change to another Song or you turn the power off without executing the Save operation.

Renaming the recorded Song

The recorded Songs are named automatically, but you can rename Songs as you like (page 70).

NOTE

Refer to page 67 for how to delete a Song.

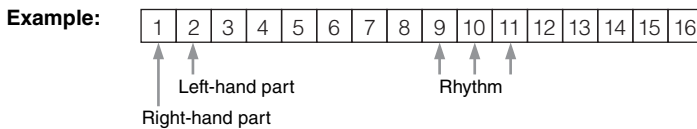
NOTE

Parameter settings other than Voice and Tempo, such as note data, pedal (Damper/Soft/Sostenuto) data, octave setting and time signature, cannot be changed after recording.

MIDI Recording — Independent Tracks

MIDI

With MIDI Recording, you can create a MIDI Song consisting of 16 tracks by recording your performance to each track one by one. In recording a piano piece, for example, you can record the right-hand part to Track 1 then record the left-hand part to Track 2, allowing you create a complete piece which may be difficult to play live with both hands together. To record a performance with Rhythm playback, for example, record Rhythm playback, then record melodies to Track 1 while listening to the already recorded Rhythm playback. In this way, you can create an entire Song which would otherwise be difficult, or even impossible, to play live.



When you want to record a new track of an already recorded MIDI Song:

After selecting the target MIDI Song (steps 1 – 4 on pages 44 – 45), press and hold the [REC] (Record) button for a second to call up the display which lists the Recording Target Songs, select the 4th item (the selected MIDI Song), press the [>] button, then go to step 2 described on this page.

1. **Execute the same operations as in step 1 and step 2 on page 55 to enter the Recording mode with a new blank Song selected.**
2. **Use the [<]/[>] buttons to select a Recording Track.**
When you want to record the right-hand part, highlight “R” (Track 1). When you want to record the left-hand part, highlight “L” (Track 2). Alternately, when you want to record your performance to Tracks 3 – 16, call up the desired one by pressing the [<]/[>] buttons repeatedly. If the Rhythm playback was recorded first before other tracks, it is automatically recorded to one of the Tracks 9 – 11 (or all the three tracks). If this is the case, select the desired track for recording from any except for these tracks.



Track Data Status

- Contains data.
- Contains no data.

3. **Play the keyboard to start recording.**
When you want to record the Rhythm playback first, press the [RHYTHM] button to start recording. When you want to record an empty section at the start of the Song, press the [PLAY/PAUSE] button to start recording.

NOTE

If you want to record your performance to the USB flash drive or you want to add the recording to the MIDI Song in the USB flash drive, refer to “MIDI Recording to the USB flash drive” (page 59).

NOTE

Rhythm cannot be added to a recorded Song. When you want to record Rhythm, make sure to record the Rhythm playback first.

NOTE

Because bass accompaniment of the Rhythm sounds only when playing the keyboard, in order to record the bass accompaniment, it is necessary to record keyboard performance with it as well.

NOTE

If you record your performance with both hands to R then to L, both are played back at the same time as a single Song.

Recording Track Assignment

- When recording the Rhythm, you cannot freely select desired tracks. The Rhythm is recorded to Tracks 9 – 11.
- When Dual/Split/Duo is on, only the R1 Voice performance will be recorded to the selected Track, and the R2 Voice performance will be recorded to the Track number which is 6 plus the selected Track, and the L Voice performance of Split/Duo will be recorded to the Track number which is 3 plus the selected Track.

NOTICE

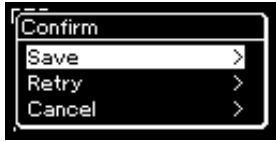
Note that recording your performance to a Track containing data will overwrite the previously recorded data.

4. After you finish your performance, press the [REC] (Record) button to stop recording.

This operation exits from the Recording mode and calls up the display for saving the recorded performance data.

5. If you want to save the recorded performance, press the [>] button to execute the Save operation while “Save” is highlighted.

After the Save operation is completed, the display shows “Save Completed” then returns to the Song display. The recorded Song will be named “USERSONGxxx” (xxx: number) and saved in the “User” category.



- If you are not satisfied with your performance and want to record again, highlight the cursor to “Retry” then press the [>] button. Try recording again from step 3.
- If you do not want to save the recorded data, highlight “Cancel” then press the [>] button.

6. To hear the recorded performance, press the [PLAY/PAUSE] button.

7. To record another Track, enter the Song Recording mode again.

7-1. Press and hold the [REC] (Record) button for a second.

The Recording Target Songs will be listed on the display.

7-2. Use the [V] button to select existing MIDI Song (at the bottom of the list), then press the [>] button.



You can check whether or not each Track contains recorded data by the indication that appears at the upper right of each Track. For details on the indication, refer to “Track Data Status” on page 57.

8. Record your performance to another track by repeating steps 2 – 6 of this section.

In step 2, select a track which has no recorded data. In step 3, play the keyboard while listening to the already recorded data.

NOTICE

The recorded MIDI Song will be lost if you change to another Song or you turn the power off without executing the save operation.

Renaming the recorded Song

The recorded Songs are named automatically, but you can rename Songs as desired (page 70).

NOTE

For instructions on rewinding, fast-forwarding and returning to the top of the Song during Song playback, refer to page 46.

NOTICE

Note that recording your performance to a Track containing data will overwrite the previously recorded data.

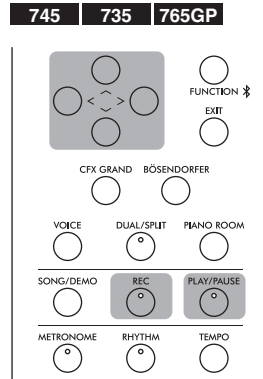
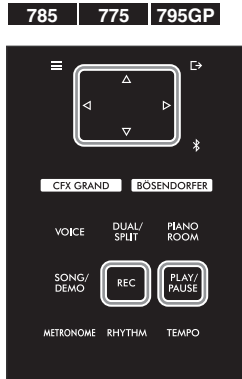
NOTE

Refer to page 67 for how to delete a Song. Refer to “Track Delete” on page 93 for how to delete a track.

MIDI Recording to the USB Flash Drive

MIDI

These instructions describe how to overwrite an already recorded MIDI Song in the USB flash drive or how to create a New MIDI Song on the USB flash drive.



NOTE

To connect a USB flash drive, be sure to read the section "Connecting USB Devices (USB [TO DEVICE] terminal)" on page 74.

NOTE

Before starting the Recording operation, check the remaining memory capacity of the USB flash drive. "System" menu: "Utility" → "USB Properties" (page 100).

1. Connect the USB flash drive to the USB [TO DEVICE] terminal.
2. Select a MIDI Song as Recording target, then enter the Recording mode.
 - 2-1. If you want to record an additional Track to the already recorded MIDI Song, select the desired MIDI Song in the USB flash drive. If you want to record from scratch, skip this step.
 - 2-2. Press and hold the [REC] (Record) button for a second to call up the display which lists the Recording Target Songs.



- 2-3. From the Recording Target Songs, select "New Song (USB)" or the MIDI Song selected in step 2-1 (4th item below) using the [^]/[V] buttons, then press the [>] button to enter the Recording mode.

Recording Target Song	Description
New Song	Select this when you want to record your performance to a blank MIDI Song and save to "User" category in this instrument's internal memory.
New Song (USB)*	Select this when you want to record your performance to a blank MIDI Song and save to the USB flash drive.
New Audio (USB)*	Select this when you want to record your performance to blank audio data and save to the USB flash drive.

Recording Target Song	Description
xxxxx (MIDI Song selected in step 2-1 above)**	Select this when you want to record additionally to/overwrite the currently selected MIDI Song.

* Can be selected only when the USB flash drive is connected to the USB [TO DEVICE] terminal.

** Will not be shown when an already recorded MIDI Song is not selected in step 2-1 above, or when a Preset Song is selected in step 2-1.

3. Execute the Recording operation, then save the recorded performance.

- **When you want to record additionally to the currently selected MIDI Song, or record to a specified track on a blank MIDI Song:**

Execute steps 2 – 8 in “MIDI Recording—Independent Tracks” on page 57.

- **When you want to quick record to a blank MIDI Song:**

Execute steps 3 – 6 in “Quick MIDI Recording” on page 55.

NOTICE

Note that recording your performance to a Track containing data will overwrite the previously recorded data.

NOTE

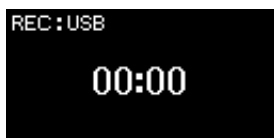
The time signature and tempo cannot be changed when replacing the part of an existing MIDI Song.

Audio Recording to the USB Flash Drive

Audio

These instructions describe how to record your performance as audio data. Note that an audio file to which your performance is to be recorded can be saved only to a USB flash drive. This is why you should prepare your USB flash drive device before starting the Recording operation.

1. **Connect the USB flash drive to the USB [TO DEVICE] terminal.**
2. **Press and hold the [REC] (Record) button for a second to call up the display which lists the Recording Target Songs.**
3. **Use the [^]/[v] buttons to select “New Audio (USB)” then press the [>] button.**
4. **Execute steps 3 – 6 in “Quick MIDI Recording” (page 55).**
Unlike with MIDI Recording, the elapsed time is shown on the display while Audio Recording is being executed.



NOTE

To connect a USB flash drive, be sure to read the section “Connecting USB Devices (USB [TO DEVICE] terminal)” on page 74.

NOTE

Before starting the Recording operation, check the remaining memory capacity of the USB flash drive. “System” menu: “Utility” → “USB Properties” (page 100).

NOTE

With Audio recording, distorted sound may be produced if the Voice Volume is set to the value higher than the default setting. Make sure to set the Voice Volume to the default value or less before recording from the “Voice” menu display: “Voice Edit” → “Volume” (page 88).

NOTE

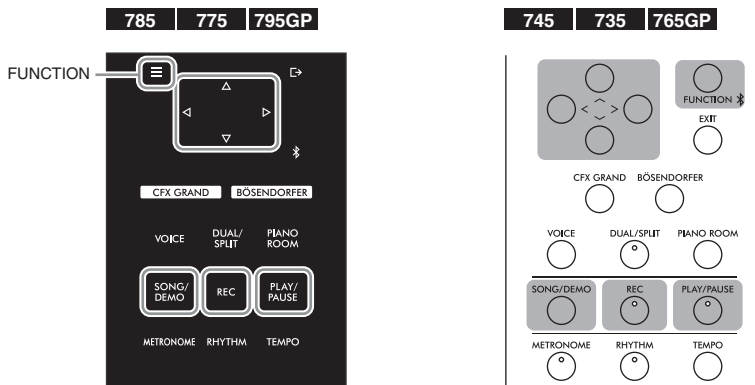
With Audio recording, audio signals such as those from the [AUX IN] jack are also recorded.

Other Recording Techniques

Re-recording a MIDI Song in parts

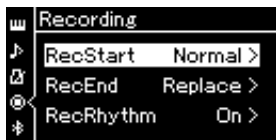
MIDI

You can re-record a specific range of the MIDI Song.



1. Set the parameters which determine how recording starts and stops.

1-1. Press the [FUNCTION] button repeatedly to call up the “Recording” menu display.



1-2. Use the [^]/[V] buttons to select “RecStart,” then select the value which determines how recording starts by using the [>] button.

Normal	The already recorded data will be replaced with the new one as soon as recording starts.
KeyOn	The already recorded data will be maintained until you press a key, and actual recording starts as soon as you press a key.

1-3. Use the [^]/[V] buttons to select “RecEnd,” then select the value which determines how recording stops by using the [>] button.

Replace	The data after the point you stop recording will also be erased.
PunchOut	The data after the point you stop recording will remain.

- 2. Press the [SONG/DEMO] button to call up the Song List display.**
- 3. Select the desired MIDI Song.**
For instructions, refer to page 44.
- 4. Specify the start point you wish to re-record.**
Use the [<]/[>] buttons to move the playback position (measure number) to the desired point. Alternately, press the [PLAY/PAUSE] button to start playback, then press the [PLAY/PAUSE] button again slightly prior to the desired point.

If necessary, select the settings (Voice and other parameters).
Select the desired settings, if you wish to change the previous ones.
- 5. Press and hold the [REC] (Record) button for a second to call up the display which lists the Recording Target Songs, then select the 4th item (Song selected in step 3), then press the [>] button to enter the recording mode.**
- 6. Use the [<]/[>] buttons to select a Track for re-recording.**
- 7. Play the keyboard or press the [PLAY/PAUSE] button to start recording.**
- 8. Press the [REC] (Record) button to stop recording.**
- 9. Save the recorded performance by following step 5 on page 58.**
- 10. To hear the recorded performance, press the [PLAY/PAUSE] button.**

NOTE

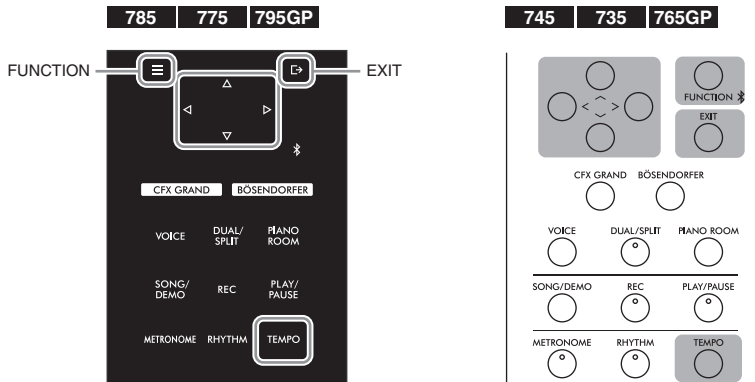
The time signature cannot be changed when replacing the part of an existing Song.

Changing the tempo or the Voice of a previously recorded MIDI Song

MIDI

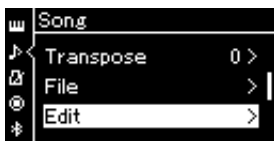
For MIDI Songs, you can change the tempo and Voice after recording to change a feel or to set a more suitable tempo.

To change the tempo:



1. **Select the MIDI Song you wish to change.**
For instructions, refer to page 44.
2. **Press the [TEMPO] button to call up the Tempo display, then set the desired Tempo.**
For instructions, refer to page 39.
3. **Press the [FUNCTION] button repeatedly to call up the “Song” menu display, then select the highlighted item in each display as illustrated below.**

“Song” menu display



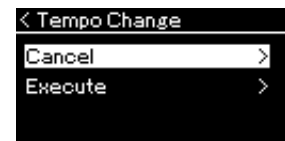
- 3-1. Use the [^]/[v] buttons to select “Edit.”
- 3-2. Press the [>] button to call up the next display.

Edit display



- 3-3. Use the [^]/[v] buttons to select “Tempo Change.”
- 3-4. Press the [>] button to call up the next display.

Tempo Change display



4. **Apply the selected Tempo value to the current MIDI Song data.**
Press the [v] button to highlight “Execute,” then press the [>] button to apply the new Tempo value to the current MIDI Song data.



When this operation is completed, “Completed” is shown on the display, and the Tempo Change display will be restored after a while.

5. Press the [EXIT] button to exit from the “Song” menu display.

To change the Voice:

1. Select the MIDI Song you wish to change.

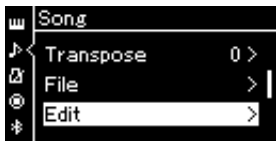
For instructions, refer to page 44.

2. Select the desired Voice.

For instructions, refer to page 30.

3. Press the [FUNCTION] button repeatedly to call up the “Song” menu display, then select the highlighted item in each display as illustrated below.

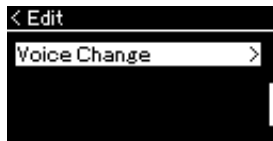
“Song” menu display



3-1. Use the [^]/[v] buttons to select “Edit.”

3-2. Press the [>] button to call up the next display.

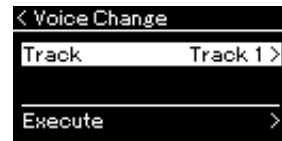
Edit display



3-3. Use the [^]/[v] buttons to select “Voice Change.”

3-4. Press the [>] button to call up the next display.

Voice Change display



4. Press the [>] button to call up the setting display, then select the desired Track using the [^]/[v] buttons.

5. Apply the Voice selected in step 2 for the Track selected in step 4 to the current MIDI Song data.

Press the [<] button to return to the Voice Change display. Press the [v] button to highlight “Execute,” then press the [>] button to apply the new Voice to the current MIDI Song data.



When this operation is completed, “Completed” is shown on the display, and the Voice Change display will be restored after a while.

6. Press the [EXIT] button to exit from the “Song” menu display.

Handling Song Files

The “File” menu in the “Song” menu display (page 92) enables you to apply various operations to Song files — Songs you recorded on this instrument or commercially available Songs.

To connect a USB flash drive, be sure to read the section “Precautions when using the USB [TO DEVICE] terminal” on page 74.

Operation	File menu	Page
Deleting files	Delete	pages 66, 67
Copying files	*Copy	pages 66, 68
Moving files	*Move	pages 66, 68
Converting a MIDI Song to an Audio Song during playback	*MIDI to Audio	pages 66, 69
Renaming files	Rename	pages 66, 70

Settings marked with a “*” are effective only when a MIDI Song is selected.

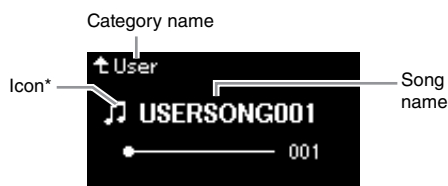
File

A file contains a group of data. On this instrument, a Song file includes Song data and a Song name.

Song Types and File Operation Limitations

Song types are indicated as the category name and icon in the Song display. The following chart shows the Song type and restrictions on File operations.

* The icon appears only when you select a Song in the “User” or “USB” category.



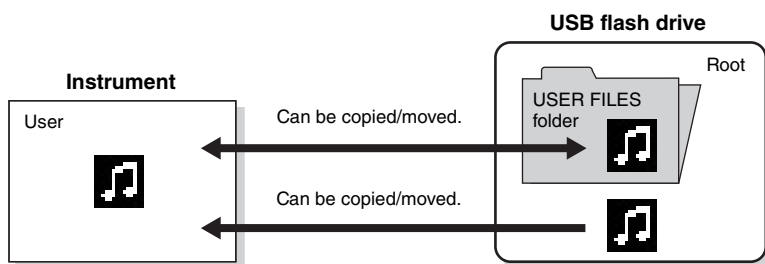
O: Yes, x: No

Data Location	Category	Song Type	Deleting files	Renaming files	Copying files	Moving files	Convert a MIDI Song to an Audio Song during playback
Instrument	Demo	Demo (Voice Demo)	x	x	x	x	x
	50 Classical	50 classical Preset Songs	x	x	x	x	x
	Lesson	Lesson Preset Songs	x	x	x	x	x
	User	Your own recorded Songs (MIDI)	O	O	O	O	O
USB flash drive device	USB	MIDI Songs	O	O	O	O	O
		Audio Songs	O	O	x	x	x

Range of the Copy/Move operation

As for a MIDI Song in the “User” category in the instrument, you can Copy/Move it only to the USER FILES folder on a USB flash drive. Selecting a MIDI Song from “User” for copying/moving automatically specifies the USER FILES folder as the destination.

As for a MIDI Song in a USB flash drive, you can Copy/Move it to the “User” category in the instrument.



USER FILES folder

If the USB flash drive device plugged into the instrument contains no USER FILES folder, one will be created automatically when you format or record a Song to that device. The recorded Song will then be saved in that folder.

NOTE

Please note that the copy features are intended for your personal use only.

NOTE

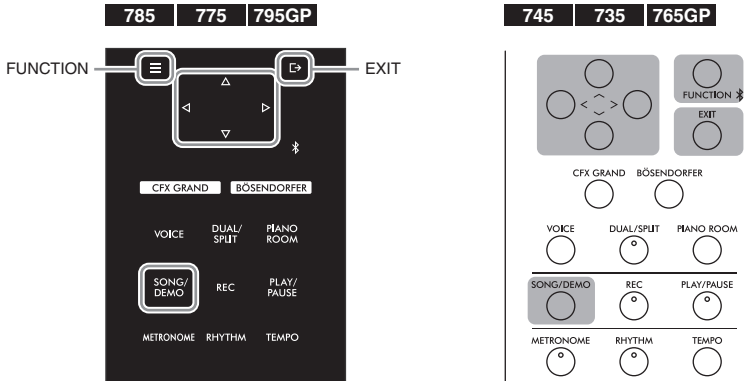
Folders cannot be copied.

Root:

The highest level of a hierarchical structure. This indicates an area which does not belong to a folder.

Basic Song File Operation

Song files can be handled via the instructions shown below.



1. Connect the appropriate USB flash drive containing the desired files to the USB [TO DEVICE] terminal.

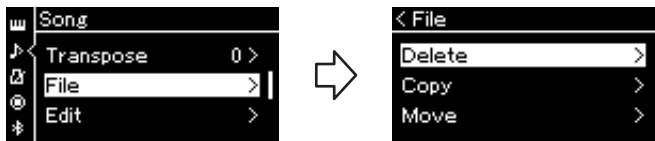
2. Select a Song for handling.

For information on selecting a Song, see page 44.

3. Call up the File mode.

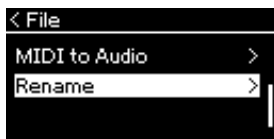
3-1. Press the [FUNCTION] button repeatedly to call up the “Song” menu display. Use the [^]/[v] buttons to select “File” then press the [>] button.

“Song” menu display



3-2. Select the desired operation from “Delete,” “Copy,” “Move,” “MIDI to Audio” or “Rename.”

For example: Renaming files



From here, if you wish to close the File mode, press the [EXIT] button once or twice.

4. Execute the selected operation.

For specific instructions, refer to the corresponding section.

- **Delete**.....page 67
- **Copy**.....page 68
- **Move**page 68
- **MIDI to Audio**page 69
- **Rename**page 70

During operation, messages (information, confirmation, etc.) may be shown on the display. For explanations and details, refer to “Message List” on page 111.

5. Press the [EXIT] button to close the File mode.

NOTICE

Do not disconnect the USB flash drive during file handling or when a USB flash drive is mounted. Doing so may delete all data in the USB flash drive and the instrument.

Deleting Files — Delete

For details about Song types which can be deleted, refer to page 65.

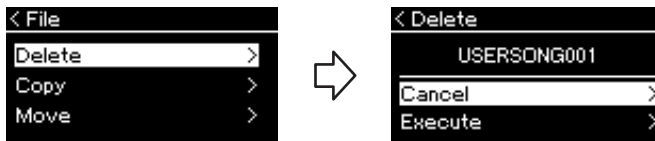
See page 66 for information on basic operations.

The following is a detailed procedure of step 4 on that page.

NOTE

You cannot delete multiple Songs at the same time.

4-1. While “Delete” is highlighted, press the [>] button to call up the setting display.



4-2. Highlight “Execute” by pressing [v] button, and then press the [>] button.

After the Song is deleted, the display returns to the Song List display.

NOTICE

Do not turn off the power or eject the USB flash drive while “Executing” is shown in the display.

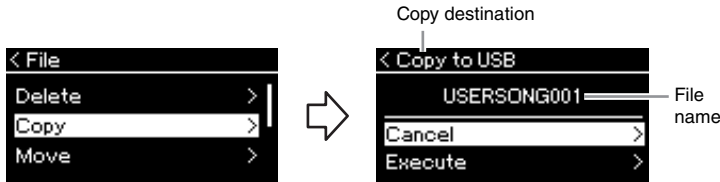
Copying Files — Copy

For details about Song types and ranges that can be copied, refer to page 65.

See page 66 for information on basic operations.

The following is a detailed procedure of step 4 on that page.

- 4-1. While “Copy” is highlighted, press the [>] button to call up the setting display.



- 4-2. Highlight “Execute” by pressing [V] button, then press the [>] button.

The selected Song will be copied to the destination with the same name as the copy source file.

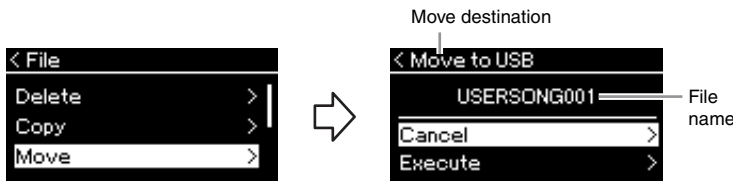
Moving Files — Move

For details about Song types and ranges that can be moved, refer to page 65.

See page 66 for information on basic operations.

The following is a detailed procedure of step 4 on that page.

- 4-1. While “Move” is highlighted, press the [>] button to call up the setting display.



- 4-2. Highlight “Execute” by pressing the [V] button, then press the [>] button.

The selected Song will be moved to the destination and the display returns to the Song list display.

Copy destination:

“USB” will be shown when the copy destination is the USB flash drive or “User” when the instrument is the copy destination. A file copied to the USB flash drive is stored to the USER FILES folder on it.

NOTE

A message appears when a Song with the same name already exists in the copy destination. Select “Overwrite” when you want to overwrite the selected Song, or “Cancel” to cancel by using the [^]/[V] buttons, and then press the [>] button.

NOTICE

Overwrite operations erase any existing data of the copy destination file and overwrite with data of the copy source file.

NOTICE

Do not turn off the power or eject the USB flash drive while “Executing” is shown in the display.

Move destination

“USB” will be shown when the move destination is the USB flash drive or “User” when the instrument is the move destination. A file moved to the USB flash drive is stored to the USER FILES folder on it.

NOTE

A message appears when a Song with same name already exists in the move destination. Select “Overwrite” when you want to overwrite the selected Song, or “Cancel” to cancel by using the [^]/[V] button.

NOTICE

Overwrite operations erase any existing data of the move destination file and overwrite with data of the move source file.

NOTICE

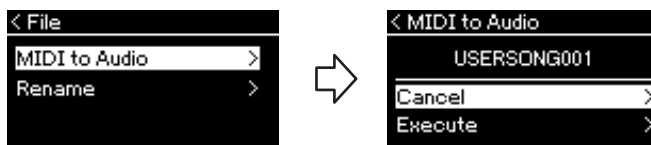
Do not turn off the power or eject the USB flash drive while “Executing” is shown in the display.

Convert a MIDI Song to an Audio Song during Playback — MIDI to Audio

A MIDI Song in the “User” memory of the instrument or on a USB flash drive can be converted to an Audio Song then saved to the USER FILES folder on a USB flash drive. For information about which Song types can be converted, refer to page 65.

See page 66 for information on basic operations.
The following is a detailed procedure of step 4 on that page.

- 4-1. While “MIDI to Audio” is highlighted, press the [>] button to call up the setting display.



- 4-2. Highlight “Execute” by pressing the [V] button, then press the [>] button.

This operation starts playback and conversion from MIDI to Audio. This is basically the same as that of Audio Song Recording, which allows you to record your keyboard performance and other audio input sound (page 54). After you convert the Song, a message “Convert completed” will be shown and the display returns to Song List display.

NOTE

After conversion, the MIDI Song remains in the original data location.

NOTICE

Do not turn off the power or disconnect the USB flash drive during the conversion. Otherwise the data will be lost.

NOTE

A message appears when a Song with same name already exists in the copy destination. Select “Overwrite” when you want to overwrite the selected Song by using the [^]/[V] buttons, then press the [>] button.

NOTE

To cancel this operation, press the [EXIT] button during the conversion. When the operation is canceled, the converted Audio Song will not be saved.

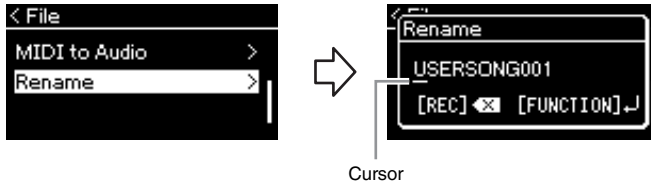
Renaming Files — Rename

For details about Song types which can be renamed, refer to page 65.

See page 66 for information on basic operations.

The following is a detailed procedure of step 4 on that page.

4-1. While “Rename” is highlighted, press the [>] button to call up the setting display.



4-2. Assign a name to the Song.

Use the [<]/[>] buttons to move the cursor highlight (underline). Use the [^]/[v] buttons to change the character at the current cursor position. Pressing the [REC] button will delete the character at the current cursor position.

A Song name can contain up to 46 characters. Characters which extend beyond the display capacity and are not visible can be viewed by moving the highlight by using the [<]/[>] buttons.

4-3. Press the [FUNCTION] button.

After the Song is renamed, the display returns to the Song List display where the renamed Song can be selected.

NOTE

For information about the character types available for the Song name, refer to “Language” on page 101.

NOTICE

Do not turn off the power or eject the USB flash drive while “Executing” is shown in the display.

Connections

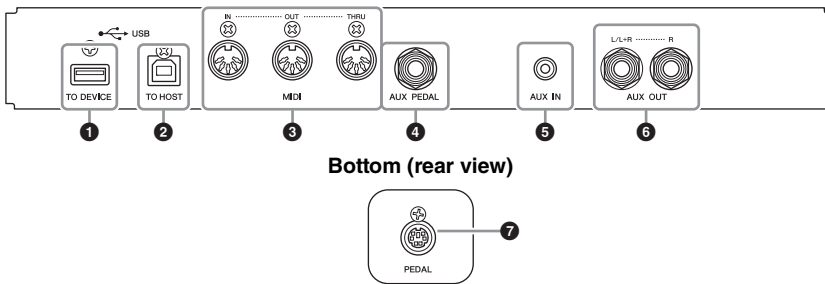
Connectors

You can connect other devices to this instrument's connectors. For information about location of these connectors, refer to "Panel Controls and Terminals" on page 14. You can connect this instrument to a smart device such as a smartphone via Bluetooth (page 77) if the instrument is equipped with Bluetooth*.

*For information on whether Bluetooth functionality is included or not, refer to page 142.

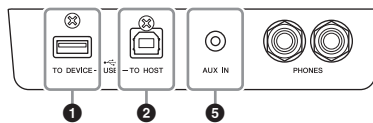
785 775 745 735 **795GP** 765GP

Terminals under the keyboard

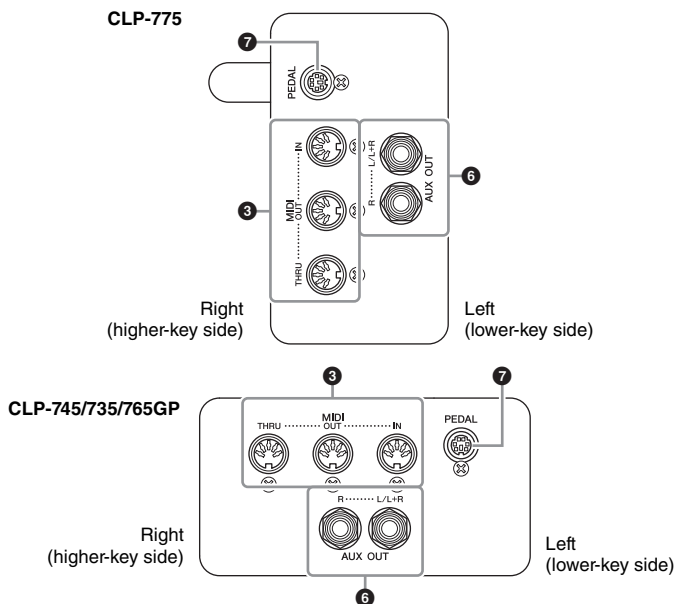


785 **775** 745 735 795GP 765GP

Terminals under the keyboard



Bottom (rear view)



CAUTION

Before connecting the instrument to other electronic components, turn off the power of all the components. Also, before turning any components on or off, make sure to set all volume levels to minimum (0). Otherwise, damage to the components, electrical shock, or even permanent hearing loss may occur.

NOTE

Before using the Bluetooth function, be sure to read "About Bluetooth" on page 142.

❶ USB [TO DEVICE] terminal

You can connect a USB flash drive to this terminal, or use a USB wireless LAN adaptor UD-WL01 (sold separately) to connect with a smart device such as a smartphone. For details, refer to “Connecting to a Computer” (page 76) or “Using a Smart Device App” (page 80). Before using the USB [TO DEVICE] terminal, be sure to read “Precautions when using the USB [TO DEVICE] terminal” on page 74.

❷ USB [TO HOST] terminal

This terminal allows connection to a computer or a smart device, such as smartphone or tablet. For details, refer to “Connecting to a Computer” (page 76) or “Connecting to a Smart Device” (page 77).

❸ MIDI [IN], [OUT], [THRU] terminals

These terminals are used to connect external MIDI devices, such as a synthesizer or a sequencer. For details, refer to “Connecting External MIDI Devices” on page 75.

❹ [AUX PEDAL] jack (CLP-785/795GP)

A separately sold FC7 foot controller or FC4A/FC5 foot switch can be connected to this jack. By using an FC7 you can control the volume while playing to add expression to your performance, or control various other functions. By using an FC4A/FC5, you can switch various selected functions on/off. To select the function that will be controlled, use the “Aux Assign” (page 98) in the “System” menu display.

❺ [AUX IN] jack

This jack is used to connect an audio player, such as a smartphone or portable audio player. (See below.)

❻ AUX OUT [L/L+R] [R] jacks (CLP-785/795GP)

AUX OUT [R] [L/L+R] jacks (CLP-775/745/735/765GP)

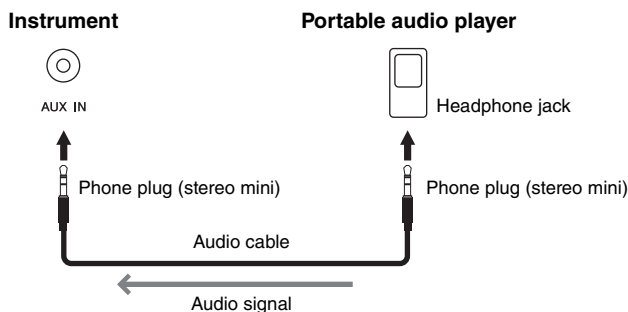
These jacks are used to connect to external powered speaker systems (page 73).

❼ [PEDAL] jack

This jack allows connection to the pedal cord (CLP-785: page 118, CLP-775: page 121, CLP-745/735: page 124, CLP-795GP: page 129, CLP-765GP: page 132).

Connecting to an Audio Player ([AUX IN] jack)

You can connect the headphone jack of an audio player, such as a smartphone or portable audio player, to the instrument’s [AUX IN] jack. Audio playback on the connected device is output from the built-in speakers of this instrument.



NOTE

There are two different types of USB terminals on the instrument: USB [TO DEVICE] and USB [TO HOST]. Take care not to confuse the two terminals and the corresponding cable connectors. Be careful to connect the proper plug in the proper direction.

NOTE

- Connect or disconnect the pedal when the power of this instrument is turned off.
- Do not press the footswitch/foot pedal while turning the power on. Doing this changes the recognized polarity of the footswitch, resulting in reversed footswitch operation.

NOTICE

When the Clavinova’s [AUX IN] jack is connected to an external device, first turn on the power to the external device, then to the Clavinova. Reverse this order when you turn the power off.

NOTE

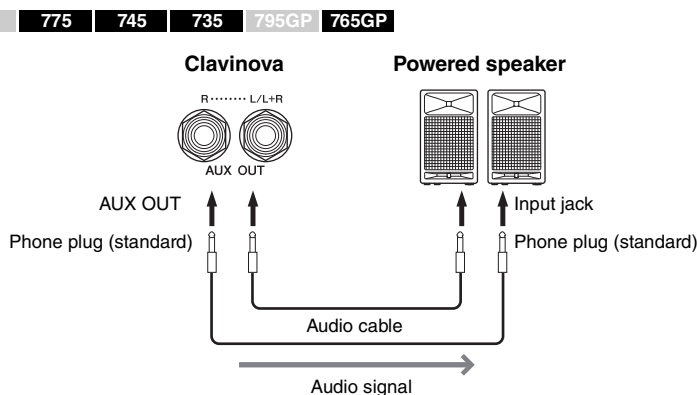
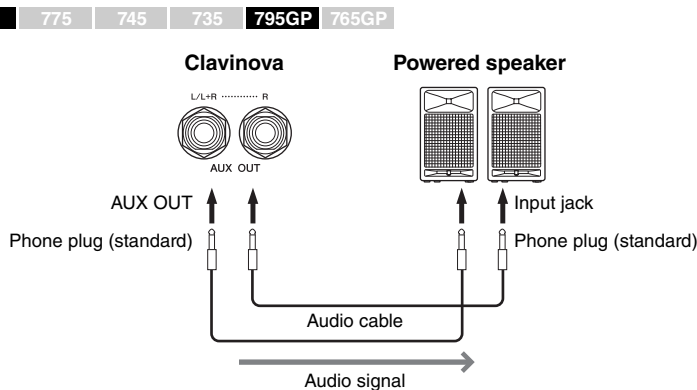
The instrument’s [MASTER VOLUME] setting affects the input signal from the [AUX IN] jack.

NOTE

Use audio cables and adaptor plugs having no (zero) resistance.

Using an External Speaker System for Playback (AUX OUT [L/L+R]/[R] jacks)

These jacks let you connect the Clavinova to external powered speaker systems, for playing in larger venues at higher volumes.



The Clavinova's [MASTER VOLUME] setting will affect the sound that is output from AUX OUT jacks. When the Clavinova's AUX OUT jacks are connected to an external speaker and you want to turn off the speaker sound of the Clavinova, switch the "speaker" parameter to off via the "System" menu: "Utility" → "Speaker" (page 100).

NOTE

Use only the [L/L+R] jack for connection with a monaural device.

NOTICE

- To avoid possible damage, first turn on the power to the external device, then to the instrument. When turning off the power, first turn off the power to the external device, then to the instrument. Since this instrument's power may automatically be turned off due to the Auto Power Off function (page 17), turn off the power to the external device, or disable Auto Power Off when you do not intend to operate the instrument.
- Do not route the output from the AUX OUT jacks to the [AUX IN] jack. If you make this connection, the signal input at the [AUX IN] jack is output from the AUX OUT jacks. These connections could result in a feedback loop that will make normal performance impossible, and may even damage the equipment.

NOTE

Use audio cables and adaptor plugs having no (zero) resistance.

NOTE

When you are monitoring the sound output via the AUX OUT jacks from headphones connected to the instrument, we recommend that you set the Binaural Sampling and Stereophonic Optimizer functions to off. For details, refer to page 22.

Connecting USB Devices (USB [TO DEVICE] Terminal)

You can connect a USB flash drive or a USB wireless LAN adaptor UD-WL01 (sold separately) to the USB [TO DEVICE] terminal. You can save data you've created on the instrument to the USB flash drive (pages 65, 104), or you can connect the instrument to a smart device such as an iPad via wireless LAN (page 81).

Precautions when using the USB [TO DEVICE] terminal

This instrument features a built-in USB [TO DEVICE] terminal. When connecting a USB device to the terminal, be sure to handle the USB device with care. Follow the important precautions below.

NOTE

For more information about the handling of USB devices, refer to the owner's manual of the USB device.

■ Compatible USB devices

- USB flash drive
- USB hub
- USB wireless LAN adaptor UD-WL01 (sold separately; may not be available in some areas)

Other USB devices such as a computer keyboard or mouse cannot be used.

The instrument does not necessarily support all commercially available USB devices. Yamaha cannot guarantee operation of USB devices that you purchase. Before purchasing a USB device for use with this instrument, please visit the following web page: <https://download.yamaha.com/>

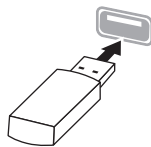
Although USB devices 2.0 to 3.0 can be used on this instrument, the amount of time for saving to or loading from the USB device may differ depending on the type of data or the status of the instrument. USB 1.1 devices cannot be used on this instrument.

NOTICE

The rating of the USB [TO DEVICE] terminal is a maximum of 5V/500mA. Do not connect USB devices having a rating above this, since this can cause damage to the instrument itself.

■ Connecting a USB device

When connecting a USB device to the USB [TO DEVICE] terminal, make sure that the connector on the device is appropriate and that it is connected in the proper direction.



NOTICE

- Avoid connecting or disconnecting the USB device during playback/recording and file management operations (such as Save, Copy, Delete and Format), or when accessing the USB device. Failure to observe this may result in "freezing" of the operation of the instrument or corruption of the USB device and the data.
- When connecting then disconnecting the USB device (and vice versa), make sure to wait a few seconds between the two operations.

NOTE

If you intend to connect two devices at the same time to a terminal, you should use a bus-powered USB hub. Only one USB hub can be used. If an error message appears while using the USB hub, disconnect the hub from the instrument, then turn on the power of the instrument and re-connect the USB hub.

NOTICE

Do not use an extension cable when connecting a USB device.

Using USB Flash Drives

By connecting the instrument to a USB flash drive, you can save data you've created to the connected device, as well as read data from the connected USB flash drive.

■ Number of USB flash drives that can be used

Only one USB flash drive can be connected to the USB [TO DEVICE] terminal. (If necessary, use a USB hub. The number of USB flash drives that can be used simultaneously with musical instruments even when a USB hub is used is only one.)

■ Formatting a USB flash drive

You should format the USB flash drive only with this instrument (page 100). A USB flash drive formatted on another device may not operate properly.

NOTICE

The format operation overwrites any previously existing data. Make sure that the USB flash drive you are formatting does not contain important data.

■ To protect your data (write-protect)

To prevent important data from being inadvertently erased, apply the write-protect provided with each USB flash drive. If you are saving data to the USB flash drive, make sure to disable write-protect.

■ Turning off the instrument

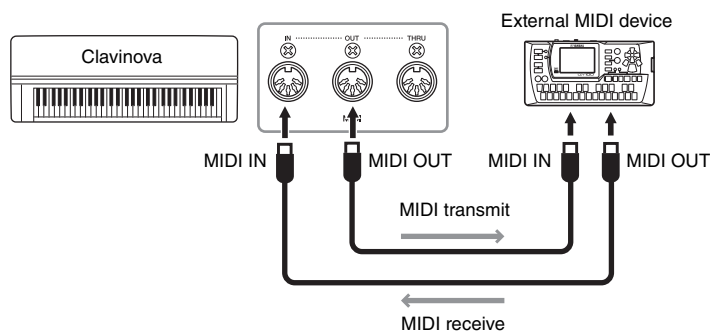
When turning off the instrument, make sure that the instrument is NOT accessing the USB flash drive by playback/recording or file management (such as during Save, Copy, Delete and Format operations). Failure to do so may corrupt the USB flash drive and the data.

Connecting External MIDI Devices (MIDI Terminals)

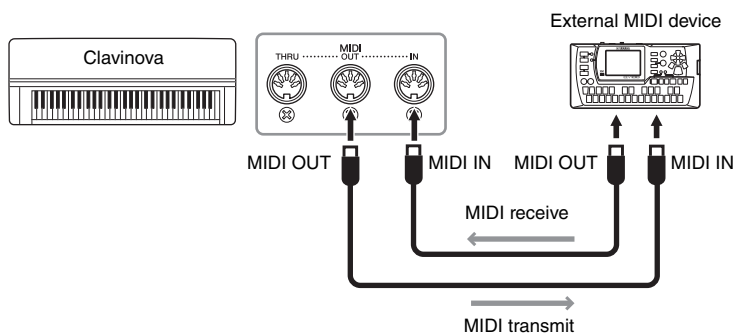
The sophisticated MIDI functions give you powerful tools to expand your music performance and creation possibilities. Use the MIDI terminals and standard MIDI cables to connect external MIDI devices (keyboard, sequencer, etc.)

- **MIDI [IN]** Receives MIDI messages from another MIDI device.
- **MIDI [OUT]** Transmits MIDI messages generated on this instrument to another MIDI device.
- **MIDI [THRU]** ... Simply relays the MIDI messages received at MIDI IN.

785 775 745 735 795GP 765GP



785 775 745 735 795GP 765GP



⚠ CAUTION

Before connecting the instrument to other MIDI devices, turn off the power of all the components.

NOTE

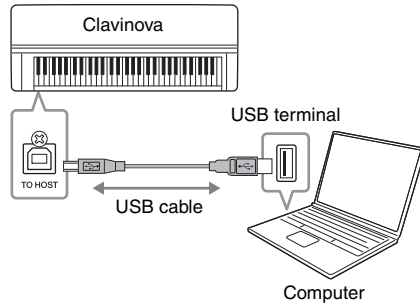
For details about MIDI, refer to "MIDI Basics" downloadable from the Yamaha website (page 8).

NOTE

- Since MIDI data that can be transmitted or received varies depending on the type of MIDI device, check the MIDI Data Format to find out what MIDI data and commands your devices can transmit or receive. The MIDI Data Format is contained in the "MIDI Reference" downloadable from the Yamaha website (page 8).
- When transmitting MIDI data from this instrument to an external MIDI device, unexpected sounds may occur because of data related to the Grand Expression Modeling.

Connecting to a Computer (USB [TO HOST] Terminal)

By connecting a computer to the [USB TO HOST] terminal via a USB cable, you can transfer MIDI data or Audio data between the instrument and the computer. For details on using a computer with this instrument, refer to the “Computer-related Operations” on the website (page 8).



Transmitting/Receiving Audio Data (USB Audio Interface function)

By connecting a computer or a smart device to the USB [TO HOST] terminal via a USB cable, digital audio data can be transmitted/received. This USB Audio Interface function provides the following advantages:

- **Playing back audio data with high sound quality**
This gives you direct, clear sound in which the sound quality has less noise and deterioration than that from the [AUX IN] jack.
- **Recording performance on the instrument as audio data by using a recording software or a music production software**
The recorded audio data can be played back on the computer or smart device.

For instructions on connecting, refer to “Computer-related Operations” or the “Smart Device Connection Manual” on the website (page 8).

Audio Loopback On/Off

This allows you to set whether audio sound input from the connected computer or smart device is output to a computer or a smart device or not along with the performance played on the instrument. To output the audio input sound, set the Audio Loopback to “On.”

For example, if you want to record the audio input sound as well as the sound played on the instrument by using the computer or the smart device, set this to “On.” If you intend to record only the sound played on the instrument by using the computer or the smart device, set this to “Off.” For details on the settings, refer to “Audio Loopback” on page 101.

NOTICE

- Use an AB type USB cable of less than 3 meters. USB 3.0 cables cannot be used.
- If you are using a DAW (digital audio workstation) application with this instrument, set the Audio Loopback function to off (see below). Otherwise, a loud sound may occur, depending on the settings of the computer or the application software.

NOTE

- When using a USB cable to connect the instrument to your computer, make the connection directly without passing through a USB hub.
- For information on setting up your sequence software, refer to the owner’s manual of the relevant software.
- The instrument will begin transmission a short time after the computer or smart device is connected.
- Unexpected sounds may occur if you edit MIDI data related to the Grand Expression Modeling on a computer.

NOTE

- When transmitting or receiving audio signals by using a computer running Windows, the Yamaha Steinberg USB Driver should be installed to the computer. For details, refer to the “Computer-related Operations” on the website.
- The volume of the audio sound input can be adjusted from a computer or smart device.

NOTE

- The Audio Loopback function also affects the audio input sound when using the Bluetooth Audio function (page 78) or the wireless LAN connection (page 81).
- The playback sound of an Audio Song (page 43) is also output to a computer or smart device when this is set to “On,” while the sound is not output when this is set to “Off.”
- With Audio Recording (page 54), the audio input sound from the connected computer or smart device is recorded when this is set to “On,” while the sound is not recorded when this is set to “Off.”

Connecting to a Smart Device

Connecting a smart device such as a smartphone or tablet allows you to enjoy the features shown below. You can listen to audio playback from a smart device on your instrument's speakers, or use a compatible smart device app to make playing this instrument easier and more fun. The method of connection varies depending on your intended use.

- **Using a compatible smart device app**

Connect the device to this instrument via Bluetooth* or other methods. For details, refer to page 80.

- **Listening to audio played back on a smart device through the speakers of this instrument (Bluetooth* Audio function)**

Connect the device to this instrument via Bluetooth. For details, refer to page 78.

- **Transmitting/receiving audio data (USB Audio Interface function)**

Connect the device to this instrument's USB [TO HOST] terminal via a USB cable. For details, refer to page 76.

*For information on whether Bluetooth functionality is included or not, refer to page 142.

NOTICE

- Use an AB type USB cable of less than 3 meters. USB 3.0 cables cannot be used.
- Do not place your smart device in an unstable position. Doing so may cause the device to fall and result in damage.
- If you are using a DAW (digital audio workstation) application with this instrument, set the Audio Loopback function (page 76) to off. Otherwise, a loud sound may occur, depending on the settings of the application software.

NOTE

- Before using the USB [TO DEVICE] terminal, be sure to read "Precautions when using the USB [TO DEVICE] terminal" on page 74.
- When you use the instrument along with a smart device, we recommend that you set that device's "Airplane Mode" to on and then the Wi-Fi/Bluetooth setting to on in order to avoid noise caused by communication.
- The instrument will begin transmission a short time after the computer or smart device is connected.
- When using a USB cable to connect the instrument to your smart device, make the connection directly without passing through a USB hub.

Listening to Audio Data from a Smart Device through this Instrument (Bluetooth Audio Function)

785 775 745 735 795GP 765GP

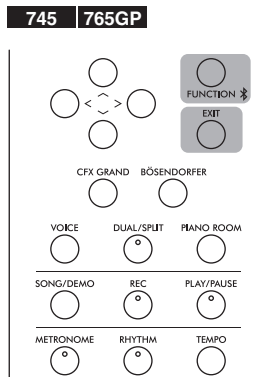
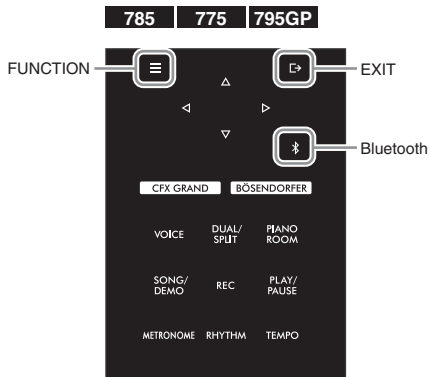
Bluetooth capability


The models CLP-785, CLP-775, CLP-745, CLP-795GP and CLP-765GP are equipped with Bluetooth functionality; however, even these models may not support Bluetooth, depending on the country in which you purchased the product. If the Bluetooth logo is shown or printed on the control panel, this means that the product is equipped with Bluetooth functionality.



Before using the Bluetooth function, be sure to read “About Bluetooth” on page 142.

You can input the sound of the audio data saved in a Bluetooth-equipped device, such as a smart phone or digital audio player, to this instrument and listen to it through the built-in speaker of the instrument.



1. (CLP-785/775/795GP) Hold down the [] (Bluetooth) button for 3 seconds.
(CLP-745/765GP) Hold down the [FUNCTION] button for 3 seconds.

The pop-up window will appear which indicates that the instrument is standing by for pairing.



To cancel the pairing, press the [EXIT] button.

NOTE

- In this manual, “Bluetooth-equipped device” refers to a device that can transmit audio data on it to the instrument using the Bluetooth function, via wireless communication. For proper operation, the device must be compatible with A2DP (Advanced Audio Distribution Profile). The Bluetooth Audio function is explained here by using a smart device as an example of such Bluetooth-equipped devices.
- Refer to page 80 for transmitting/receiving the MIDI data between the instrument and the smart device via Bluetooth.
- Bluetooth headphones or speakers cannot be paired.
- When the Bluetooth is set to Off on this instrument, the smart device cannot be connected via Bluetooth. Set the Bluetooth on beforehand (page 79).

Pairing

“Pairing” means to register Bluetooth-equipped smart devices on this instrument, and establish the mutual recognition for wireless communication between the two.

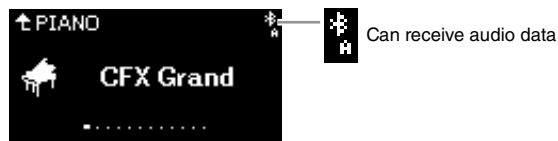
NOTE

- Only one smart device can be connected to this instrument at a time (although up to 8 smart devices can be paired to this instrument). When pairing with the 9th smart device has succeeded, pairing data for the device with the oldest connection date will be deleted.
- Make sure to complete the settings on the smart device within 5 minutes.
- If you are required to enter a passkey, enter the numerals “0000.”

2. On the smart device, set the Bluetooth function to on and select “CLP-xxx AUDIO” from the connection list.

For details, refer to the smart device owner’s manual.

After pairing is completed, the connection status will be shown in the display.



3. Play back audio data on the smart device to confirm that the built-in speakers of the instrument can output the audio sound.

When you turn on the instrument the next time, the last-connected smart device will be connected to this instrument automatically, if the Bluetooth function of the smart device and the instrument is set to on. If it is not connected automatically, select the model name of the instrument from the connection list on the smart device.

NOTE

You can adjust the volume of the sound input via Bluetooth by the [MASTER VOLUME] slider. To adjust the volume balance between your keyboard performance and the input sound via Bluetooth, adjust the volume on the smart device.

Switching the Bluetooth Function On/Off

785 | 775 | 745 | 735 | 795GP | 765GP

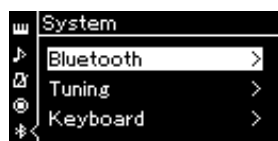
For information on whether Bluetooth functionality is included or not, refer to page 142.

Before using the Bluetooth function, be sure to read “About Bluetooth” on page 142.

By default, the Bluetooth function will be on right after turning the instrument’s power on, however you can set the function to off.

1. Press the [FUNCTION] button repeatedly to call up the “System” menu display, then select the highlighted item in each display as illustrated below.

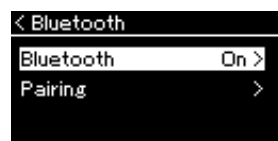
“System” menu display



1-1. Confirm that “Bluetooth” is selected.

1-2. Press the [>] button to call up the next display.

Bluetooth display



1-3. Confirm that “Bluetooth” is selected.

2. Press the [>] button to switch on/off.

To exit from the “System” menu display, press the [EXIT] button.

Using a Smart Device App

By using a compatible smart device app, you can get more enjoyment out of this instrument. Especially, “Smart Pianist” (available as a free download) lets you select the Voice and make Metronome settings intuitively, and allows you to display the notation, depending on the selected data.

Access the web page of the respective apps on the following website for information on each app, including apps such as “Smart Pianist” that are compatible with this instrument, as well as for information on which smart devices are supported.

<https://www.yamaha.com/kbdapps/>

Connect your smart device to this instrument via Bluetooth or other methods.

Connecting via Bluetooth

785 | **775** | **745** | **735** | **795GP** | **765GP**

For information on whether Bluetooth functionality is included or not, refer to page 142.

Before using the Bluetooth function, be sure to read “About Bluetooth” on page 142.

Connect from the settings screen of the app you will be using. For the “Smart Pianist” app, follow the instructions on the connection wizard (shown below). Select “CLP-XXX (model name) MIDI” as the Bluetooth device to pair with. The devices will be able to transmit and receive MIDI data when they are connected. To play the audio data from your smart device on this instrument, refer to page 78. The connection status will be shown on the instrument’s display once the Bluetooth connection has been made.

Voice display



Can transmit and receive MIDI data

Can transmit and receive MIDI data, and receive audio data

Using other methods to connect

See the “Smart Device Connection Manual” on the website (page 8) for how to connect using other methods. When connecting using the UD-WL01 (sold separately), you will need to make settings on the instrument, following the steps in the “Smart Device Connection Manual.” For details, refer to page 81. To use the “Smart Pianist” app, connect by following the instructions on the “Smart Pianist” connection wizard (shown below).

Connection wizard of “Smart Pianist”

After downloading the “Smart Pianist” to your smart device and starting the “Smart Pianist,” tap “☰” (Menu) located at the upper left on the “Smart Pianist” screen to open the Menu, and then tap “Instrument” → “Start Connection Wizard” to start the connection wizard.

NOTICE

Activating the “Smart Pianist” app while the instrument is connected to the smart device overwrites the settings on the instrument by that of “Smart Pianist.” Save your important setup data as a backup file to a USB flash drive (page 104).

NOTE

When using the “Smart Pianist” app, you cannot use any buttons on the instrument other than the [EXIT] button. Control the instrument by using “Smart Pianist.” Pressing the [EXIT] button on the instrument disconnects the instrument from the “Smart Pianist” app, and enables you to control the instrument by using its buttons.

NOTE

A smart device cannot be connected when the Bluetooth function of this instrument is set to off. (The default setting: On) Refer to page 79 for how to set On or Off.

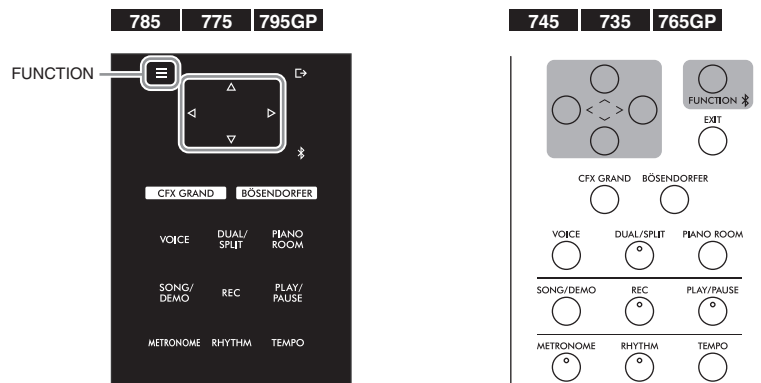
Connecting via Wireless LAN (with the UD-WL01*)

*The USB wireless LAN adaptor UD-WL01 (sold separately) may not be available depending on your area.

When connecting a smart device by using the USB wireless LAN adaptor, start wireless connection according to the instructions in the “Smart Device Connection Manual” on the website, then make sure to set up the instrument appropriately, using the following instructions “Displaying the Wireless LAN Networks and Connecting to a Network,” “Automatic Setup by WPS,” “Manual Setup” or “Connecting by the Accesspoint Mode.” Refer to pages 81 – 85 in this Owner’s Manual for the required operations on this instrument.

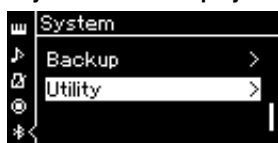
■ Displaying the Wireless LAN Networks and connecting to a Network

Make sure to connect the USB wireless LAN adaptor (sold separately) to the USB [TO DEVICE] terminal, otherwise the displays for setup below will not be shown.



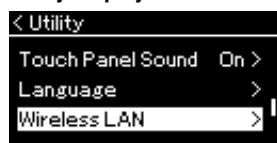
1. Press the [FUNCTION] button repeatedly to call up the “System” menu display, then select the highlighted item in each display as illustrated below.

“System” menu display



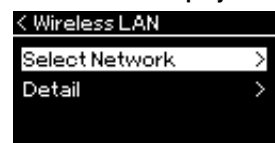
- 1-1. Use the [^]/[V] buttons to select “Utility.”
- 1-2. Press the [>] button to call up the next display.

Utility display



- 1-3. Use the [^]/[V] buttons to select “Wireless LAN.”
- 1-4. Press the [>] button to call up the next display.

Wireless LAN display



- 1-5. Use the [^]/[V] buttons to select “Select Network.”


NOTICE

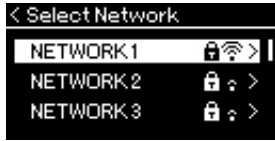
Do not connect this product to public Wi-Fi and/or Internet directly. Only connect this product to the Internet through a router with strong password-protections. Consult your router manufacturer for information on security best practices.

NOTE

If the menus shown in the Wireless LAN display, are different from those shown here, the instrument is in the Accesspoint mode. Set the Wireless LAN Mode parameter to “Infrastructure Mode” by following the step 1 on page 84.

2. Press the [>] button to call up the network list.

For a network with a lock icon , you need to enter the proper password.



3. Connect the instrument to the Network.

3-1. Select the desired network, then press the [>] button.

The name of the selected network will be fully shown in the display, letting you confirm this is the network you want to use.

3-2. Press the [>] button.

- **For a network without a lock icon:**

Connecting starts.

- **For a network with a lock icon:**

You need to enter the proper password. For details on how to enter characters, refer to the “Renaming files” on page 70. After entering the password, press the [FUNCTION] button to finalize the setting. This operation starts connecting automatically.

When connection is done successfully, “Completed” is shown in the display, and returns to the “Select Network” display.

4. Connect the smart device to the access point.

For instructions on the setup for the smart device, refer to the “Smart Device Connection Manual” on the website (page 8).

■ Automatic Setup by WPS

Please make sure to connect the USB wireless LAN adaptor (sold separately) to the USB [TO DEVICE] terminal, otherwise the displays for setup will not be shown.

If your access point supports WPS, you can easily connect the instrument to access point by WPS, without making settings, such as password input, etc. Press the WPS button on the USB wireless LAN adaptor more than 3 seconds, and press the WPS button on your access point within two minutes. When connection is done successfully, “Completed” is shown in the display, and the Voice display will be shown.

Finally, connect the smart device to the access point. For instructions on the setup for the smart device, refer to the “Smart Device Connection Manual” on the website (page 8).

NOTE

If no signal from the access point is received, the access point cannot be listed. Also, closed access points cannot be listed.

NOTE

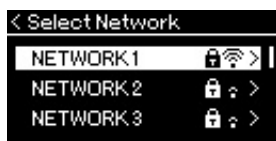
WPS setup is not available while the instrument is in the following modes or conditions:

- While a Song or a Demo Song is playing back or being paused temporarily, or while the instrument is in the Song Recording mode.
- When Wireless LAN mode is set to “Accesspoint Mode” in the “System” menu.

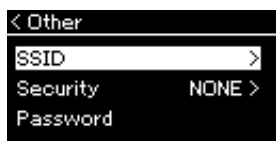
■ Manual Setup

Make sure to connect the USB wireless LAN adaptor (sold separately) to the USB [TO DEVICE] terminal, otherwise the displays for setup will not be shown.

1. To call up the network list, perform steps 1 – 2 in the “Displaying the Wireless LAN Networks and connecting to a Network” (page 81).



2. Select “Other” at the bottom of the network list, then press the [>] button.
3. Set the SSID, Security and Password to the same as the settings on the access point.



- 3-1. Select the “SSID” then press the [>] button to call up the display for SSID input, then enter the SSID.

For details on how to enter the characters, refer to “Renaming files” on page 70. After entering the SSID, press the [FUNCTION] button to finalize the setting. Operation returns to the “Other” display.

- 3-2. Select “Security” then press the [>] button to call up the Security list. Select the security then return to the “Other” display by pressing the [<] button.
- 3-3. Select “Password,” then set the password in the same way as SSID.

4. Select “Connect >” at the bottom of the display shown in step 3, then press the [>] button to start connecting.

When connection is done successfully, “Completed” is shown in the display, and returns to the “Select Network” display.

5. Connect the smart device to the access point.

For instructions on the setup for the smart device, refer to the “Smart Device Connection Manual” on the website (page 8).

NOTE

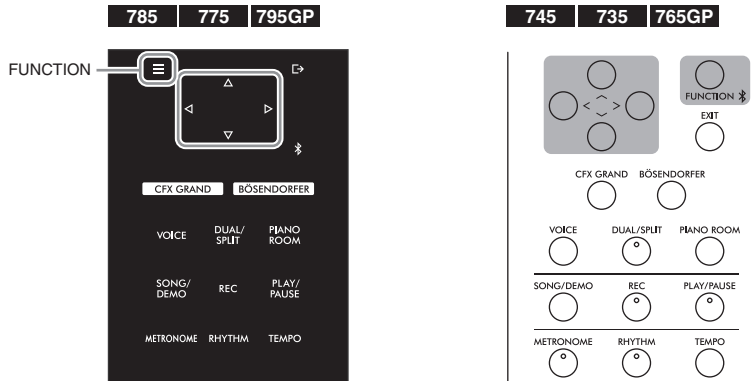
The password cannot be set when you select “none” for the security setting.

■ Connecting by the Accesspoint Mode

Please make sure to connect the USB wireless LAN adaptor (sold separately) to the USB [TO DEVICE] terminal, otherwise the displays for setup will not be shown.

NOTE

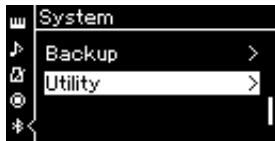
This cannot be used to connect to the internet or another wireless LAN device.



1. Switch the instrument to the “Accesspoint Mode.”

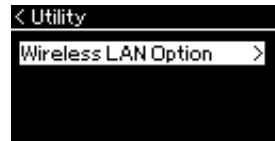
Press the [FUNCTION] button repeatedly to call up the “System” menu display, then select the highlighted item in each display as illustrated below.

“System” menu display



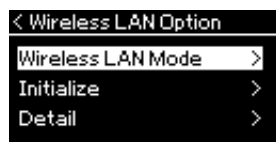
- 1-1. Use the [^]/[v] buttons to select “Utility.”
- 1-2. Press the [>] button to call up the next display.

Utility display



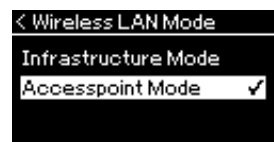
- 1-3. Use the [^]/[v] buttons to select “Wireless LAN Option.”
- 1-4. Press the [>] button to call up the next display.

Wireless LAN Option display



- 1-5. Use the [^]/[v] buttons to select “Wireless LAN Mode.”
- 1-6. Press the [>] button to call up the next display.

Wireless LAN Mode display

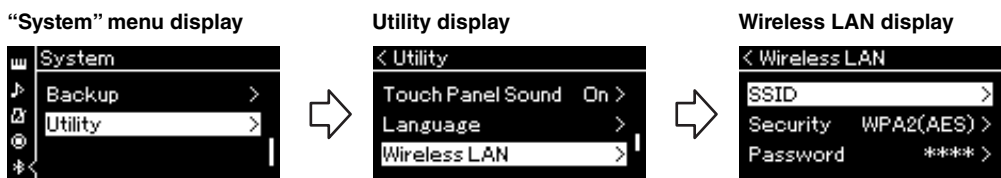


- 1-7. Use the [^]/[v] buttons to select “Accesspoint Mode.”

When mode change is done successfully, “Completed” is shown in the display, operation returns to the Wireless LAN Mode display.

2. Set SSID, Security, Password and Channel.

2-1. From the “System” menu display, select the highlighted item in each display as illustrated below.



2-2. Set the SSID, Security, Password and Channel.

Select and enter each value/setting in the same way as in step 3 in “Manual Setup.” For the setting range for each item, refer to “Wireless LAN” (In the Accesspoint mode) on page 102.

3. Save the setting.

Select “Save >” at the bottom of the Wireless LAN display, then press the [>] button to start saving.

When saving is done successfully, “Completed” is shown in the display, and operation returns to the Utility display.

4. Connect the smart device to the instrument (as an access point).

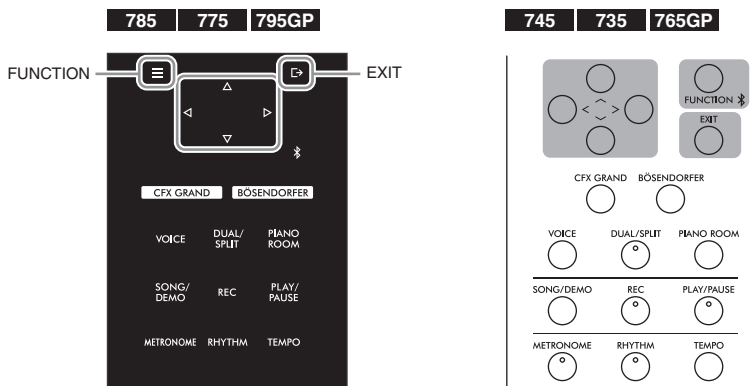
For instructions on the setup for the smart device, refer to the “Smart Device Connection Manual” on the website (page 8).

Pressing the [FUNCTION] button opens one of the five menu displays (Voice, Song, Metronome/Rhythm, Recording and System). You can make settings for various functions from these menu displays.

Common Operations in the Menu Displays

If you want to edit items related to Voice or Song, you will need to make the necessary preparations before opening the menu display.

- If you want to edit Voice-related parameters (by calling up the “Voice” menu), select a Voice. If you want to edit parameters related to the R1/R2/L Voices, such as volume balance, turn on Dual/Split/Duo, then select the desired Voices.
- If you want to set Song playback parameters, such as Repeat, select a Song.
- If you want to edit your recorded MIDI Song data (by calling up Edit in the “Song” menu), select the recorded MIDI Song.



1. Press the [FUNCTION] button several times to select the desired menu.

Pressing the [FUNCTION] button repeatedly will call up the following menu displays in order, according to the vertical menu at the left of the display.

- Voice menu (page 87)
- Song menu (page 92)
- Metronome/Rhythm menu (page 95)
- Recording menu (page 96)
- System menu (page 97)



2. Use the [^]/[v]/[<]/[>] buttons to select the desired parameter.

While referring as needed to the parameter list on each page listed in step 1, use the [^]/[v] buttons to navigate through the display vertically and use the [<]/[>] buttons to navigate through display horizontally.

3. In the display called up in step 2, use the [^]/[v]/[<]/[>] buttons to select a value or execute the operation.

Most displays allow you to select a value by simply using the [^]/[v] buttons, although some, such as Edit in the “Song” menu and Backup in the “System” menu, let you execute an operation.

If a pop-up window is shown, set the value with the [<]/[>] buttons, then exit from the window using the [EXIT] button.

Also, when the selected parameter provides only two options (on and off, for example), simply pressing the [>] button will alternate the value between the two options.



4. To exit from the menu display, press the [EXIT] button.

Voice Menu

This menu lets you edit or set various parameters related to keyboard performance, such as Voice parameters. By turning on Dual/Split/Duo, you can make the settings for each Voice or each Voice combination. While playing the keyboard and hearing the sound, change a parameter value to find your desired sound. Note that you should turn on Dual/Split/Duo before calling up the “Voice” menu display.

NOTE

Parameters with * are shown only when Dual/Split/Duo is on.

To call up the desired parameter:			785	775	795GP	745	735	765GP
Turn on Dual, Split or Duo as necessary, select Voices as necessary, press the [FUNCTION] button several times to select “Voice” menu, then use the [^]/[v]/[<]/[>] buttons to select the desired parameter.								
[>] [<]	[>] [<]	[>] [<]	Description			Default setting	Setting range	
Transpose	(Pop-up window)	–	Shifts the pitch of the entire keyboard up or down in semitone intervals to facilitate playing in difficult key signatures, and to let you easily match the pitch of the keyboard to the range of a singer or other instruments. For example, if you set this parameter to “5,” playing key C produces pitch F. In this way, you can play the F major song as if it were in C major. NOTE The setting here will not affect Song playback. If you want to transpose Song playback, use the Transpose parameter in the “Song” menu (page 92). NOTE Your keyboard performance data will be transmitted with the transposed note numbers while MIDI note numbers received from an external MIDI device or computer will not be affected by the Transpose setting.			0	-12 (-1 octave) – 0 (normal pitch) – +12 (+1 octave)	
Piano Setting	Lid Position	(Setting display)	Refer to the description of “Lid Position” on page 28.					
	VRM	–	Refer to the description of “VRM” on page 28. Demo cannot be played in Voice Menu.					
	Damper Res. (Resonance)	(Setting display)	NOTE VRM is effective only for Voices in the Piano group.					
	Damper Noise	–						
	String Res. (Resonance)	(Setting display)						
	Duplex Scale Res. (Resonance)	(Setting display)						
	Body Res. (Resonance)	(Setting display)						
Grand Exp. (Expression)	–	Refer to the description of “Grand Expression” on page 29. Demo cannot be played in Voice Menu. NOTE Grand Expression Modeling is effective only for the Voices of “CFX Grand” and “Bösendorfer.”						
Reverb	(Setting display)	–	Determines the Reverb type which is applied to all the entire sound including the keyboard performance, Song playback and MIDI data input from an external MIDI device.			Differs depending on the Voice or Voice combination.		Refer to the Reverb Type List (page 90).
Chorus	(Setting display)	–	Determines the Chorus type which is applied to all the entire sound including the keyboard performance, Song playback and MIDI data input from an external MIDI device.			Differs depending on the Voice or Voice combination.		Refer to the Chorus Type List (page 90).

To call up the desired parameter:			785	775	795GP	745	735	765GP
Turn on Dual, Split or Duo as necessary, select Voices as necessary, press the [FUNCTION] button several times to select "Voice" menu, then use the [^]/[v]/<]/[>] buttons to select the desired parameter.			≡			○ FUNCTION		
[>] [<]	[>] [<]	[>] [<]	Description	Default setting	Setting range			
Voice Edit	(Voice names)*	Octave	Shifts the pitch of the keyboard up and down in octave steps. This parameter can be set for each Voices when Dual/Split/Duo is on.	Differs depending on the Voice or Voice combination.	-2 (two octaves lower) – 0 (no pitch shift) – +2 (two octaves higher)			
		Volume	Adjusts the volume for each of the R1/R2/L Voices. This lets you adjust the balance between the R1/R2/L Voices when Dual/Split/Duo is on.	Differs depending on the Voice or Voice combination.	0 – 127			
		Reverb Depth	Adjusts the Reverb depth for each of the R1/R2/L Voices. This lets you adjust the balance between the R1/R2/L Voices when Dual/Split/Duo is on. The "0" setting will produce no effect. NOTE When a VRM Voice is used for several parts simultaneously, unexpected sounds may result since the Reverb depth for a part which has priority will become the common setting for the parts. During Song playback, setting for a Song part is used (priority order: Ch. 1, Ch. 2...Ch. 16), while the setting for a keyboard part is used when Song playback is stopped (priority order: R1, L and R2 Voices).	Differs depending on the Voice or Voice combination.	0 – 40			
		Chorus Depth	Adjusts the Chorus depth for each of the R1/R2/L Voices. This lets you adjust the balance between the R1/R2/L Voices when Dual/Split/Duo is on. The "0" setting will produce no effect. NOTE When a VRM Voice is used for several parts simultaneously, unexpected sounds may result since the Chorus depth for a part which has priority will become the common setting for the parts. During Song playback, setting for a Song part is used (priority order: Ch. 1, Ch. 2...Ch. 16), while the setting for a keyboard part is used when Song playback is stopped (priority order: R1, L and R2 Voices).	Differs depending on the Voice or Voice combination.	0 – 127			
		Effect	In addition Reverb and Chorus, another Effect can be applied to the R1/R2/L Voices of the keyboard independently. Note that this Effect type can be selected for up to two Voices.	Differs depending on the Voice or Voice combination.	Refer to the Effect Type List (page 90).			
		Rotary Speed	Available only for the Voice of which the Effect Type is set to "Rotary." This parameter determines the rotation speed of the Rotary Speaker effect.	Differs depending on the Voice or Voice combination.	Fast, Slow			
		VibeRotor	Available only for the Voice of which the Effect Type is set to "VibeRotor." This parameter turns on or off the VibeRotor effect.	Differs depending on the Voice or Voice combination.	On, Off			
		VibeRotor Speed	Available only for the Voice of which the Effect Type is set to "VibeRotor." This parameter determines the speed of the Vibraphone vibrato effect.	Differs depending on the Voice or Voice combination.	1 – 10			
		Effect Depth	Adjusts the Effect depth for each of the R1/R2/L Voices. Note that some Effect types do not allow you to adjust the depth.	Differs depending on the Voice or Voice combination.	1 – 127			
		Pan	Adjusts the stereo pan position for each of the R1/R2/L Voices.	Differs depending on the Voice or Voice combination.	L64 (leftmost) – C (center) – R63 (rightmost)			

To call up the desired parameter:				785	775	795GP	745	735	765GP
Turn on Dual, Split or Duo as necessary, select Voices as necessary, press the [FUNCTION] button several times to select "Voice" menu, then use the [^]/[v]/[<]/[>] buttons to select the desired parameter.				≡			○ FUNCTION		
[>] [<]	[>] [<]	[>] [<]	Description	Default setting	Setting range				
Voice Edit	(Voice names)*	Harmonic Cont	Produces a distinctive "peaky" tone by raising the Resonance value of the Filter. This parameter can be set for each of the R1/R2/L Voices when Dual/Split/Duo is on. NOTE Harmonic content may have little audible effect or not be applied to some Voices.	Differs depending on the Voice or Voice combination.	-64 – +63				
		Brightness	Adjusts the brightness of the R1/R2/L Voices independently.	Differs depending on the Voice or Voice combination.	-64 – +63				
		Touch Sens.	Determines the degree to which the volume level changes in response to your touch on the keyboard (how hard you play). Since the volume level of some Voices such as Harpsichord and Organ do not change regardless of how you play the keyboard, the default setting for these Voices is 127.	Differs depending on the Voice or Voice combination.	0 (softest) – 64 (largest changes in the level) – 127 (which produces the loudest volume regardless of how you play the keyboard)				
		RPedal	Turns the Right pedal function on or off for each of the R1/R2/L Voices. This parameter is useful when you want to ensure, for example, that the pedal function affects the right-hand performance but does not affect the left-hand performance.	Differs depending on the Voice or Voice combination.	On, Off				
		CPedal	Turns the Center pedal function on or off for each of the R1/R2/L Voices. This parameter is useful when you want to ensure, for example, that the pedal function affects the right-hand performance but does not affect the left-hand performance.	Differs depending on the Voice or Voice combination.	On, Off				
		LPedal	Turns the Left pedal function on or off for each of the R1/R2/L Voices. This parameter is useful when you want to ensure, for example, that the pedal function affects the right-hand performance but does not affect the left-hand performance.	Differs depending on the Voice or Voice combination.	On, Off				
Pedal Assign	Right	(Setting display)	Assigns one of various functions (other than the original one) to the Right pedal.	SustainCont	Refer to the Pedal Function List (page 91).				
	Center	(Setting display)	Assigns one of various functions (other than the original one) to the Center pedal.	Sostenuto	Refer to the Pedal Function List (page 91).				
	Left	(Setting display)	Assigns one of various functions (other than the original one) to the Left pedal.	Rotary Speed (Mellow Organ), Vibe Rotor (Vibraphone), Soft (other Voices)	Refer to the Pedal Function List (page 91).				
Balance*	Volume R2 – R1*	(Pop-up window)	Adjusts the volume balance between R1 and R2 Voices when Dual is on. After adjusting this with the [<]/[>] buttons, press the [EXIT] button to exit from the pop-up window.	Differs depending on the Voice or Voice combination.	R2+10 – 0 – R1+10				
	Volume L – R*	(Pop-up window)	Adjusts the volume balance between the left and right keyboard sections when Split/Duo is on. After adjusting via the [<]/[>] buttons, press the [EXIT] button to exit from the pop-up window.	Differs depending on the Voice or Voice combination.	L+10 – 0 – R+10				

To call up the desired parameter:				785	775	795GP	745	735	765GP
Turn on Dual, Split or Duo as necessary, select Voices as necessary, press the [FUNCTION] button several times to select "Voice" menu, then use the [^]/[v]/[<]/[>] buttons to select the desired parameter.				≡		○ FUNCTION			
[>] [<]	[>] [<]	[>] [<]	Description	Default setting	Setting range				
Balance*	Detune*	(Pop-up window)	Detunes the R1 Voice and R2 Voice in Dual mode to create a thicker sound. On the display, move the slider rightward via the [>] button will raise the R1 Voice pitch and lower the R2 Voice pitch, and vice versa. After adjusting this, press the [EXIT] button to exit from the pop-up window.	Differs depending on the Voice or Voice combination.	R2+20 – 0 – R1+20				

■ Reverb Type List

Off	No effect
Recital Hall	Simulates clear reverberation in a mid-sized hall suitable for piano recital.
Concert Hall	Simulates brilliant reverberation in a large hall for public orchestra performances.
Chamber	Simulates the elegant reverberation in a small room suitable for chamber music.
Cathedral	Simulates the solemn reverberation in a high-ceiling stone-made cathedral.
Club	Simulates the lively reverberation in a jazz club or a small bar.
Plate	Simulates the bright sound of vintage reverb equipment used in recording studios.

■ Chorus Type List

Off	No effect
Chorus	Adds a rich, spacious sound.
Celeste	Adds swell and a spacious sound.
Flanger	Adds swell effects similar to the sound of an ascending or descending jet plane.

■ Effect Type List

Off	No effect
DelayLCR	Delay applied at left, center, and right positions.
DelayLR	Delay applied at left and right positions.
Echo	Echo-like delay
CrossDelay	Left and right delays cross each other in alternation.
Symphonic	Adds a rich and deep acoustic effect.
Rotary	Adds the vibrato effect of a rotary speaker.
Tremolo	The volume level changes in rapid cycles.
VibeRotor	The vibrato effect of a vibraphone.
AutoPan	The sound pans left to right and back and forth.
Phaser	The phase changes periodically, swelling the sound.
AutoWah	The center frequency of the wah filter changes periodically.
Distortion	Distorts the sound.

■ Pedal Function List

Function	Description	Available pedal (O: Can be assigned, X: Cannot)			
		Left pedal	Center pedal	Right pedal	Pedal connected to the [AUX PEDAL] jack (CLP-785/795GP)
Sustain (Switch)	On/off switch type damper	○	○	○	○
Sustain Continuously	Damper that sustains the sound proportionately to how deeply you press the pedal (page 23)	×	×	○	×
Sostenuto	Sostenuto (page 23)	○	○	○	○
Soft	Soft (page 23)	○	○	○	○
Expression*	A function that lets you create changes in dynamics (volume) as you play	×	×	×	○
PitchBend Up*	A function that smoothly raises the pitch	×	×	○	○
PitchBend Down*	A function that smoothly lowers the pitch	×	×	○	○
Rotary Speed	Changes the rotational speed of the MellowOrgan rotary speaker (switches between fast and slow each time you press the pedal)	○	○	○	○
VibeRotor	Switches the vibraphone vibrato on/off (switches on/off each time you press the pedal)	○	○	○	○



When you want to assign a function marked with * to the pedal connected to the [AUX PEDAL] jack (CLP-785/795GP), you should use a Foot Controller (page 72). For other functions, you should use a Footswitch (page 72).



Song Menu

This menu lets you set various parameters related to Song playback and edit the Song data with a single touch. Select a desired Song before beginning the operation.

NOTE

- The parameters marked with * will be available only when a MIDI Song is selected. These parameters are not shown when an Audio Song is selected.
- The parameters marked with ** will be available only when an Audio Song is selected.
- When using the “Edit” menu, select a MIDI Song other than the preset Song.
- Execute is a function that edits or changes the current Song data. Note that pressing the [>] button will actually change the Song data.
- The content of the “Song” menu differs depending on the type of Song currently selected (MIDI/Audio).

To call up the desired parameter:			785	775	795GP	745	735	765GP
Select a Song as necessary, press the [FUNCTION] button several times to select “Song” menu, then use the [^]/[v]/[<]/[>] buttons to select the desired parameter.								
[>] [<]	[>] [<]	[>] [<]	Description	Default setting	Setting range			
L/R*	R, L, Other	–	Turns on (Play) or off (Mute) each of the Song tracks. For details, refer to page 48.	On	On, Off			
Repeat	A – B*	(Setting display)	Lets you play back a specified range (from Point A to B) of the current Song repeatedly. For instructions, refer to page 49.	Off	On, Off			
	Phrase*	Phrase Mark	This parameter is available only when a MIDI Song containing the Phrase Mark. By specifying a Phrase number here, you can play back the current Song from the mark point, or to play back the corresponding phrase repeatedly. If you start Song playback with a Phrase set to “On,” the countdown starts, followed by repeated playback of the specified phrase or phrases until you press the [PLAY/PAUSE] button.	000	000 – the last phrase number of the Song			
		Repeat			Off	On (repeat playback)/Off (no repeat)		
	Song	(Setting display)	By setting this parameter, you can play back only a specific Song, or specific Songs in order repeatedly or randomly. For details, refer to page 49.	Off	Off, Single, All, Random			
Volume	Song – Keyboard*	(Pop-up window)	Adjusts the volume balance between the Song playback sound and keyboard performance.	0	Key+64 – 0 – Song+64			
	Song L – R*	(Pop-up window)	Adjusts the volume balance between the right-hand part left-hand parts of Song playback.	0	L+64 – 0 – R+64			
		(Pop-up window)**	Adjusts the Audio volume.	100	0 – 127			
Transpose	(Setting display)	–	Shifts the pitch of Song playback up or down in semitone intervals. For example, if you set this parameter to “5,” a Song created in C major will be played back in F major. NOTE The Transpose setting will not affect the audio signals, such as those input from the [AUX IN] jack. NOTE MIDI Song playback data will be transmitted with the transposed note numbers while MIDI note numbers received from an external MIDI device or computer will not be affected by the Transpose setting. NOTE Applying transpose to an Audio Song may change its tonal characteristics.	0	-12 (-1 octave) – 0 (normal pitch) – +12 (+1 octave)			
File	Delete	Cancel	Deletes a specific Song. For details about Song types which can be deleted, refer to page 65.	–	–			
		Execute		–	–			
	Copy*	Cancel	Copies a specific MIDI Song then saves it to a different location. For details about Song types which can be copied, refer to page 65.	–	–			
		Execute		–	–			











To call up the desired parameter:			785	775	795GP	745	735	765GP
Select a Song as necessary, press the [FUNCTION] button several times to select "Song" menu, then use the [^]/[v]/[<]/[>] buttons to select the desired parameter.								
[>] [<]	[>] [<]	[>] [<]	Description	Default setting	Setting range			
File	Move*	Cancel	Moves a MIDI Song to a different location. For details about Song types which can be moved, refer to page 65.	–	–			
		Execute		–	–			
	MIDI to Audio*	Cancel	Converts a MIDI Song to an Audio file. For details about Song types which can be converted, refer to page 65.	–	–			
		Execute		–	–			
	Rename	(Setting display)	Edits a Song name. For details about Song types which can be renamed, refer to page 65.	–	–			
	Edit*	Quantize	Quantize	The Quantize function allows you to align all the notes in the current MIDI Song to the correct timing, such as 8th note or 16th note. 1. Set the Quantize value to the smallest notes in the MIDI Song. 2. Set the Strength value which determines how strongly the notes will be quantized. 3. Move the highlight to "Execute" then press the [>] button to actually change the MIDI Song data.	1/16	Refer to "Quantize setting range." (page 94)		
Strength			100%		0% – 100% Refer to "Strength setting range." (page 94)			
Execute			–		–			
Track Delete		Track	Deletes a specific track data of the current MIDI Song. 1. Select the desired track to be deleted. 2. Move the highlight to "Execute," then press the [>] button to actually delete the specified track data.	Track 1	Track 1 – Track 16			
		Execute		–	–			
Tempo Change		Cancel	Changes the tempo value of the current MIDI Song as data. Before calling up the "Song" menu display, set the desired Tempo value for changing. Move the highlight to "Execute," then press the [>] button to actually change the Tempo value as MIDI Song data.	Differs depending on the Song				
		Execute		–	–			
Voice Change		Track	Changes the Voice of a specific track in the current MIDI Song to the current Voice as data. 1. Select a track of which the Voice will be changed. 2. Move the highlight to "Execute," then press the [>] button to actually change the Voice as MIDI Song data.	Track 1	Track 1 – Track 16			
		Execute		–	–			
Others*		Quick Play	–	This parameter enables you to specify whether a Song that starts from the middle of a bar, or a Song with a silence prior to the first note, should be played from the first note or from the top of the bar (rest or blank). This parameter is useful for a MIDI Song that starts with a short one-or two-beat pick-up or lead-in.	On	On, Off		
	Track Listen	Track	This lets you play back only the selected Track to listen to its contents. To do this, select a Track, move the highlight to "Start," then press and hold the [>] button to start playback from the first note. Playback continues while holding the [>] button.	Track 1	Track 1 – Track 16			
		Start						
Play Track	–	This parameter enables you to specify the tracks for playing back on this instrument. When "1&2" is selected, only tracks 1 and 2 will be played back, while tracks 3 to 16 will be transmitted via MIDI. When "All" is selected, all tracks will be played back on this instrument.	All	All, 1&2				

NOTE

Tempo of Song playback can be set on the display called up by pressing the [TEMPO] button. For instructions, refer to page 47.

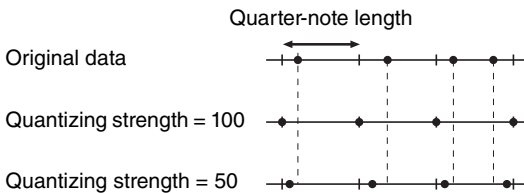
■ Quantize Supplementary

Quantize setting range

1/4.....		quarter note
1/6.....		quarter note triplet
1/8.....		eighth note
1/12.....		eighth note triplet
1/16.....		sixteenth note
1/24.....		sixteenth note triplet
1/32.....		thirty-second note
1/8+1/12.....		eighth note + eighth note triplet*
1/16+1/12.....		sixteenth note + eighth note triplet*
1/16+1/24.....		sixteenth note + sixteenth triplet*



The three Quantize settings marked with asterisks (*) are exceptionally convenient, since they allow you to quantize two different note values at the same time. For example, when the straight eighth notes and eighth notes triplet are contained in the same part, if you quantize by straight eighth notes, all notes in the part are quantized to straight eighth notes—completely eliminating any triplet feel. However, if you use the eighth note + eighth note triplet setting, both the straight and triplet notes will be quantized correctly.

Strength setting range



Metronome/Rhythm Menu

This menu lets you set the volume and tempo indication format of the Metronome (page 39) or Rhythm (page 42). In addition, you can set the bell sound of the Metronome to play back at the first beat and adjust parameters related to Rhythm playback variation.

To call up the desired parameter:			785	775	795GP	745	735	765GP
Press the [FUNCTION] button several times to select "Metronome/Rhythm" menu, then use the [^]/[v] buttons to select the desired parameter.								
[>] [<]	[>] [<]	[>] [<]	Description	Default setting	Setting range			
Time Signature	(Setting display)	–	Determines the time signature of the metronome. When you select or playback MIDI Songs, this will automatically be changed to the time signature of the selected songs.	4/4	2/2, 1/4, 2/4, 3/4, 4/4, 5/4, 6/4, 7/4, 3/8, 6/8, 7/8, 9/8, 12/8			
Volume	(Pop-up window)	–	Determines the volume of the Metronome or Rhythm. You can adjust the volume balance between the keyboard performance and Metronome/Rhythm playback.	82	0 – 127			
BPM	–	–	Determines whether the note type of the tempo indication is affected by the Metronome Time Signature (page 40) or not (crotchet). When "Time Sig." is selected, the denominator of the Time Signature is shown as the note type of the tempo indication. (The dotted quarter note is shown as the note type of the tempo indication only when the Time Signature is set to "6/8," "9/8," or "12/8.")	Time Sig.	Time Sig., Crotchet			
Bell	–	–	Determines whether or not the bell sound is played back at the first beat of the specified Time Signature.	Off	On, Off			
Intro	–	–	Determines whether the Intro is played back or not before the Rhythm pattern is started. NOTE During Song playback, the Intro cannot be played back even if you start the Rhythm with this parameter set to "On."	On	On, Off			
Ending	–	–	Determines whether the Ending is played back or not before the Rhythm pattern is stopped.	On	On, Off			
SyncStart	–	–	When this is set to "On," you can start Rhythm playback also by pressing any note on the keyboard. When you want to use this function, follow the instructions below: 1. Set this function to on. 2. Press the [RHYTHM] button to enter the Synchro start standby mode. The [RHYTHM] button flashes. 3. Press any key to start with the rhythm.	Off	On, Off			
Bass	–	–	Determines whether the auto bass accompaniment for the Rhythm is on or off.	On	On, Off			

■ Setting the Tempo



Tempo of Metronome/Rhythm can be set on the display called up by pressing the [TEMPO] button. For details on setting the Tempo for the Metronome or Rhythm, refer to page 39.

Recording Menu

This menu lets you make detailed settings related to MIDI Recording (page 54).


NOTE


The settings here will not affect Audio Recording.

To call up the desired parameter:			785	775	795GP	745	735	765GP
Press the [FUNCTION] button several times to select "Recording" menu, then use the [^]/[v] buttons to select the desired parameter.								
[>] [<]	[>] [<]	[>] [<]	Description	Default setting	Setting range			
RecStart	–	–	This parameter, which is used when you overwrite the already recorded MIDI Song, determines when the actual MIDI Recording starts after you execute the Recording Start operation. When set to "Normal," actual recording will start as soon as you execute the Recording Start operation. When set to "KeyOn," actual recording starts as soon as you press any key after you execute the Recording Start operation.	Normal	Normal, KeyOn			
RecEnd	–	–	This parameter, which is used when you overwrite the already recorded MIDI Song, determines whether the existing data after the point at which you stop recording will be erased or not.	Replace	Replace, PunchOut			
RecRhythm	–	–	Determines whether or not Rhythm playback will be recorded during MIDI Recording.	On	On, Off			

/ System Menu



This menu lets you make the overall settings applied to the entire instrument. Bluetooth compatibility is indicated by the following icons. (For details on Bluetooth compatibility, see page 142.)



 : models equipped with Bluetooth



 : models not equipped with Bluetooth


NOTE

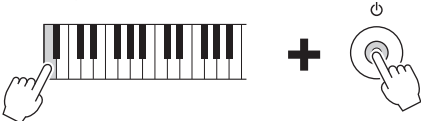
Parameters marked with * are available only if the instrument is equipped with Bluetooth functionality.



To call up the desired parameter:			785	775	795GP	745	735	765GP
Press the [FUNCTION] button several times to select "System" menu, then use the [^]/[v]/[<]/[>] buttons to select the desired parameter.					 FUNCTION			
[>] [<]	[>] [<]	[>] [<]	Description	Default setting	Setting range			
Bluetooth*	Bluetooth	–	Switches the Bluetooth function on/off (page 79).	On	On, Off			
	Pairing	–	For registering (pairing) the Bluetooth device (page 78). This parameter is shown only when "Bluetooth" (above) is set to "On."	–	–			
Tuning	Master Tune	(Pop-up window)	Fine tunes the pitch of the entire instrument. This function is useful when you play this instrument along with other instruments or CD music. NOTE These settings will not be applied to the Drum Kit Voices or Audio Song. Also, these settings will not be recorded to a MIDI Song.	A3 = 440.0 Hz	A3 = 414.8 Hz – 466.8 Hz (approx. 0.2 Hz steps)			
	Scale Tune	(Setting display)	Modern acoustic pianos are tuned almost exclusively in equal temperament, which divides one octave into twelve equal intervals. Likewise, this digital piano employs equal temperament, but it can be changed at the touch of a button to play in historical temperaments used in the 16th to 19th centuries.	Equal Temperament	Refer to the "Scale Tune List" (page 103)			
	Base Note	(Setting display)	Determines the base note for the Scale selected above. When the base note is changed, the pitch of the keyboard is transposed, yet maintains the original pitch relationship between the notes. This setting is necessary when Scale Tune is set to something other than "Equal Temperament." NOTE When Scale Tune is set to "Equal Temperament," "–" is shown on the display and this parameter cannot be edited.	C	C, C#, D, Eb, E, F, F#, G, Ab, A, Bb, B			
Keyboard	Touch	(Setting display)	Determines how the sound responds to your playing strength. This setting does not change the weight of the keyboard. <ul style="list-style-type: none">• Soft2: Produces relatively high volume even with light playing strength. Best for players with a light touch.• Soft1: Produces high volume with moderate playing strength.• Medium: Standard Touch Sensitivity.• Hard1: Requires moderately strong playing for high volume.• Hard2: Requires strong playing to produce high volume. Best for players with a heavy touch.• Fixed: No touch response. The volume level will be the same regardless of how hard you play the keys. NOTE The setting here will not be recorded to a MIDI Song and not be transmitted as MIDI messages.	Medium	Soft 2, Soft 1, Medium, Hard 1, Hard 2, Fixed			

To call up the desired parameter:			785	775	795GP	745	735	765GP
Press the [FUNCTION] button several times to select "System" menu, then use the [\wedge]/[v]/[<]/[>] buttons to select the desired parameter.								
[>] [<]	[>] [<]	[>] [<]	Description	Default setting	Setting range			
Keyboard	Fixed Velocity	(Pop-up window)	Determines the velocity with which you play the keys when Touch (above) is set to "Fixed." NOTE The setting here will not be recorded to a MIDI Song and not be transmitted as MIDI messages.	64	1 – 127			
	Duo	(Setting display)	Splits the keyboard into two ranges, allowing you to play duets over the same octave range (page 38).	Off	On, Off			
	Type	–	Selects the sound balance between the left and right speakers while Duo is on. • Separated: The sound of the left-hand range is output from the left speaker(s), and the sound of the right-hand range is output from the right speaker(s). • Balanced: The sounds played by two players are output through both speakers, with a natural balance of sound.	Separated	Separated, Balanced			
	Split Point	(Setting display)	Determines the Split Point (the boundary between the right-hand and left-hand keyboard areas).	F #2 (Split), E3 (Duo)	A-1 – C7			
Pedal	Half Pedal Point	(Pop-up window)	Here you can specify the point to which you must depress the right pedal before the assigned effect begins to be applied. This setting applies only to the "Sustain Continuously" effect (page 91) that is assigned to the right pedal.	0	-2 (effective with the shallowest press) – 0 – +4 (effective with the deepest press)			
	Soft Pedal Depth	(Pop-up window)	Determines how deeply the Soft pedal effect is applied. This parameter is available only for the pedal to which "Soft" (page 91) is assigned.	5	1 – 10			
	Pitch Bend Range	(Pop-up window)	Determines the range of the pitch bend that is produced via the pedal in semitone steps. This setting is available only for the pedal to which "Pitch Bend Up" or "Pitch Bend Down" (page 91) is assigned. NOTE For some Voices, the pitch may not be changed according to the Pitch Bend Range value set here.	2	0 – +12 (pressing the pedal will raise/lower the pitch by 12 semitones [1 octave])			
	Aux Polarity (CLP-785/795GP)	–	A pedal connected to the [AUX PEDAL] jack may switch on and off differently. For example, some pedals turn the effects on and others turn them off when you press them. Use this parameter to reverse this mechanism.	Make	Make, Break			
	Aux Assign (CLP-785/795GP)	(Setting display)	Assigns a function to the pedal connected to the [AUX PEDAL] jack.	Expression	Refer to the Pedal Function List (page 91).			
	Aux Area (CLP-785/795GP)	(Setting display)	Determines the keyboard area to which the function of the pedal connected to the [AUX PEDAL] jack is applied.	All	All, Right, Left			
	Play/Pause	(Setting display)	Assigns the [PLAY/PAUSE] button's function to one of the Left pedal, Center pedal and pedal connected to the [AUX PEDAL] jack (CLP-785/795GP). If a value other than "Off" is selected here, the corresponding pedal's function assigned in the "Voice" menu (page 89) is disabled.	Off	Off, Left, Center, AUX (CLP-785/795GP)			
Sound	Brilliance	(Setting display)	Adjusts the overall brilliance of sound for this instrument. You can also select "User" to make your own custom EQ settings. For details, refer to page 33.	Normal	Mellow 1 – 3, Normal, Bright 1 – 3, User			
	IAC	–	Turns the IAC effect on or off. For details about IAC, refer to page 21.	On	On, Off			

To call up the desired parameter:			785	775	795GP	745	735	765GP
Press the [FUNCTION] button several times to select "System" menu, then use the [\wedge]/ \vee]/ \lt]/ \gt] buttons to select the desired parameter.								
[\gt] [\lt]	[\gt] [\lt]	[\gt] [\lt]	Description	Default setting	Setting range			
Sound	IAC depth	(Pop-up window)	Determines the depth of the IAC. The higher the value, the more clearly the low/high sounds at lower volume levels.	0	-3 – +3			
	Binaural	–	Turns the Binaural Sampling function (when headphones are connected) on or off. When the function is on and headphones are connected, the sound from this instrument changes to the sound of Binaural Sampling or the sound enhanced with the Stereophonic Optimizer, allowing you to enjoy more realistic sound (page 22). NOTE When the "Speaker" setting (page 100) is on, this function will always be disabled even when headphones are connected.	On	On, Off			
MIDI	MIDI OUT	(Setting display)	Determines the MIDI channel on which the MIDI messages generated via the keyboard performance will be transmitted from the MIDI [OUT] or USB [TO HOST] terminal. When Dual/Split/Duo is on, the MIDI channels are assigned as follows. • Performance via the R1 Voice = n (setting value) • Performance via the R2 Voice = n+2 • Performance via the L Voice = n+1	Ch1	Ch1 – Ch16, Off (not transmitted)			
	MIDI IN	(Setting display)	Determines which part of the instrument will be controlled by each channel data of the MIDI messages coming from the MIDI [IN] and USB [TO HOST] terminal. • Song: Song part is controlled by the MIDI messages. • Keyboard: The entire keyboard is controlled regardless of the Dual/Split/Duo setting. • R1: The keyboard performance via the R1 Voice is controlled. • L: The keyboard performance via the L Voice is controlled. • R2: The keyboard performance via the R2 Voice is controlled. • Off: No part is controlled.	"Song" for each of all MIDI channels	For each MIDI channel: • Song • Keyboard • R1 • L • R2 • Off			
	Local Control	–	"Local Control On" is a state in which this instrument produces the sound from its tone generator when you play the keyboard. In "Local Control Off" state, the keyboard and the tone generator are cut off from each other. This means that even if you play the keyboard, this instrument will produce no sound. Instead, the keyboard data can be transmitted via MIDI to a connected MIDI device or computer, which can produce the sound. The "Local Control Off" setting is useful when you wish to play only an external sound source while playing the keys on this instrument.	On	On, Off			
	Receive Param.	(Setting display)	Determines which types of MIDI messages can be received or recognized by this instrument. MIDI message types: Note on/off, Control Change, Program Change, Pitch Bend, System Exclusive	On (for all the MIDI messages)	On, Off (for each MIDI message)			
	Transmit Param.	(Setting display)	Determines which types of MIDI messages can be transmitted from this instrument. MIDI message types: Note on/off, Control Change, Program Change, Pitch Bend, SystemRealTime, System Exclusive	On (for all the messages)	On, Off (for each message)			

To call up the desired parameter:			785	775	795GP	745	735	765GP
Press the [FUNCTION] button several times to select "System" menu, then use the [^]/[v]/[<]/[>] buttons to select the desired parameter.			≡		○ FUNCTION			
[>] [<]	[>] [<]	[>] [<]	Description	Default setting	Setting range			
MIDI	Initial Setup	Cancel	Transmits the current panel settings such as Voice selection to a connected MIDI device or computer. Before you start recording your performance to a connected MIDI device or computer, execute this operation to record the current panel settings at the beginning of your performance data. It causes that the same panel settings are called up when the recorded performance is played back. Operation: Move the highlight to "Execute," then press the [>] button to transmit the panel settings as MIDI messages.	-	-			
		Execute						
Backup	Backup Setting	-	For instructions about these functions, refer to pages 104 – 105.	-	-			
	Backup	-						
	Restore	-						
	Factory Reset	-						
Utility	USB Format	Cancel	This lets you format or initialize the USB flash drive connected to the USB [TO DEVICE] terminal. NOTICE Executing the Format operation will delete all data saved in the USB flash drive. Save important data to a computer or another storage device. NOTE When connecting the USB flash drive to the USB [TO DEVICE] terminal, a message prompting you to execute the Format operation may appear. If such a case occurs, execute the Format operation. Operation Move the highlight to "Execute," then press the [>] button to start the Format operation. After Formatting is completed, a message appears then the instrument returns to the Utility display after a while. NOTICE Never turn off the power or disconnect the USB flash drive while "Executing" is shown in the display.	-	-			
		Execute						
	USB Properties	-	Shows the amount of free space and entire memory in the USB flash drive connected to the USB [TO DEVICE] terminal. 	-	-			
	USB Autoload	-	When this is set to "On," the Song saved in the root directory can be selected (shown on the display) automatically as soon as the USB flash drive is connected to the USB [TO DEVICE] terminal.	Off	On, Off			
Speaker	(Setting display)	Lets you switch the speaker on/off. <ul style="list-style-type: none"> • Normal: The speaker will sound only if headphones are not connected. • On: The speaker will always sound. • Off: The speaker will not sound. NOTE When this setting is on, "Binaural" (page 99) will always be disabled.	Normal	Normal, On, Off				

To call up the desired parameter:			785	775	795GP	745	735	765GP																																																																																																						
Press the [FUNCTION] button several times to select "System" menu, then use the [\wedge]/[v]/[<]/[>] buttons to select the desired parameter.			≡		○ FUNCTION																																																																																																									
[>] [<]	[>] [<]	[>] [<]	Description	Default setting	Setting range																																																																																																									
Utility	Contrast	(Pop-up window)	Adjusts the contrast of the display.	0	-5 – +5																																																																																																									
	Auto Power Off	(Setting display)	<p>Lets you set the amount of time that elapses before the power is turned off by Auto Power Off function (page 17). To disable Auto Power Off, select "Off."</p> <p>Disabling Auto Power Off</p>  <p>Turn the power on while holding down the lowest key on the keyboard. A message appears briefly and Auto Power Off is disabled.</p>	30 (minutes)	Off, 5, 10, 15, 30, 60, 120 (minutes)																																																																																																									
	Audio Loopback	–	Determines whether audio input from the connected computer or smart device is output to a computer or a smart device or not (page 76).	On	On, Off																																																																																																									
	Version	–	Displays the model name and the firmware version of this instrument.	–	–																																																																																																									
	Auto Backlight Off (CLP-785/775/795GP)	(Setting display)	Lets you set the time that elapses until the control panel and the display turn off, or lets you set them to remain on indefinitely (the "Off" setting).	10 (seconds)	Off, 10, 20, 30, 60 (seconds)																																																																																																									
	Touch Panel Sound (CLP-785/775/795GP)	–	Determines whether a sound is made when the control panel is operated (the "on" setting), or whether no sound is heard (the "off" setting).	On	On, Off																																																																																																									
	Language	System	<p>Determines the type of characters shown on the display for the System (general indication other than Song name) and Song (Song name) individually.</p> <p>Character list</p> <p>International</p> <table border="1" data-bbox="500 1197 919 1304"> <tr><td>0~9</td><td>A~Z</td><td>a~z</td><td>À</td><td>É</td><td>Ï</td><td>Ö</td><td>Ü</td><td>ä</td><td>ë</td><td>ï</td><td>ö</td><td>ü</td><td>à</td><td>è</td><td>ì</td><td>ò</td></tr> <tr><td>ù</td><td>á</td><td>é</td><td>í</td><td>ó</td><td>ú</td><td>â</td><td>ê</td><td>î</td><td>ô</td><td>û</td><td>ñ</td><td>ß</td><td>Ç</td><td>ç</td><td>°</td><td>¡</td><td>! # \$</td></tr> <tr><td>%</td><td>&</td><td>'</td><td>()</td><td>+</td><td>,</td><td>-</td><td>=</td><td>@</td><td>[]</td><td>^</td><td>_</td><td>`</td><td>{ }</td><td>~</td><td>.</td><td></td></tr> </table> <p>Japanese</p> <table border="1" data-bbox="500 1333 919 1439"> <tr><td>0~9</td><td>A~Z</td><td>a~z</td><td>ア</td><td>ン</td><td>ア</td><td>オ</td><td>ヤ</td><td>ユ</td><td>ヨ</td><td>ツ</td><td>°</td><td>ー</td><td>。</td></tr> <tr><td>「</td><td>」</td><td>、</td><td>・</td><td>！</td><td>＃</td><td>＄</td><td>％</td><td>＆amp;</td><td>’</td><td>()</td><td>+</td><td>,</td><td>-</td><td>=</td><td>@</td><td>[]</td><td>^</td></tr> <tr><td>_</td><td>`</td><td>{ }</td><td>~</td><td>.</td><td></td><td></td><td></td><td></td><td></td><td></td><td></td><td></td><td></td><td></td><td></td><td></td><td></td></tr> </table>	0~9	A~Z	a~z	À	É	Ï	Ö	Ü	ä	ë	ï	ö	ü	à	è	ì	ò	ù	á	é	í	ó	ú	â	ê	î	ô	û	ñ	ß	Ç	ç	°	¡	! # \$	%	&	'	()	+	,	-	=	@	[]	^	_	`	{ }	~	.		0~9	A~Z	a~z	ア	ン	ア	オ	ヤ	ユ	ヨ	ツ	°	ー	。	「	」	、	・	！	＃	＄	％	＆amp;	’	()	+	,	-	=	@	[]	^	_	`	{ }	~	.														International	Japanese, International			
0~9	A~Z	a~z	À	É	Ï	Ö	Ü	ä	ë	ï	ö	ü	à	è	ì	ò																																																																																														
ù	á	é	í	ó	ú	â	ê	î	ô	û	ñ	ß	Ç	ç	°	¡	! # \$																																																																																													
%	&	'	()	+	,	-	=	@	[]	^	_	`	{ }	~	.																																																																																															
0~9	A~Z	a~z	ア	ン	ア	オ	ヤ	ユ	ヨ	ツ	°	ー	。																																																																																																	
「	」	、	・	！	＃	＄	％	＆amp;	’	()	+	,	-	=	@	[]	^																																																																																													
_	`	{ }	~	.																																																																																																										

To call up the desired parameter: Press the [FUNCTION] button several times to select "System" menu, then use the [^]/[v]/[<]/[>] buttons to select the desired parameter.					785	775	795GP	745	735	765GP
[>] [<]	[>] [<]	[>] [<]	[>] [<]	[>] [<]	Description	Default setting	Setting range	 		
Utility	Wireless LAN ¹ (In the "Infrastructure" mode) ²	Select Network	(Networks)		Connect to an access point by selecting the network.	-	-			
			Other	SSID	Set the SSID.	-	Up to 32 characters (half size), alphanumeric characters, marks			
				Security	Set the Security.	None	None, WEP, WPA-PSK (TKIP), WPA-PSK (AES), WPA2-PSK (AES), WPA/WPA2 mixed PSK			
				Password	Set the Password.	-	Up to 64 characters (half size), alphanumeric characters, marks			
				Connect	Connect using the settings in "Other" display.	-	-			
		Detail	DHCP		Set the wireless LAN detailed settings. IP Address, Subnet Mask, Gateway, DNS Server1, DNS Server2 can be set when DHCP is set to Off while cannot be set when DHCP set to On. Use the [<]/[>] buttons to select each octet in the entry display, then enter the value using the [^]/[v] buttons. To finalize the setting, press the [FUNCTION] button.	On	On/Off			
			IP Address			0.0.0.0	0.0.0.0-255.255.255.255			
			Subnet Mask			0.0.0.0	0.0.0.0-255.255.255.255			
			Gateway			0.0.0.0	0.0.0.0-255.255.255.255			
			DNS Server1			0.0.0.0	0.0.0.0-255.255.255.255			
			DNS Server2			0.0.0.0	0.0.0.0-255.255.255.255			
			Save		Save the settings in the "Detail" display. Move the highlight to "Save," then press the [>] button to execute the Saving.	-	-			
		Wireless LAN ¹ (In the "Accesspoint" mode) ²	SSID		Set the SSID as an access point.	ap-[CLP-****]-[xxxxxx (MAC address lower 6 figure)]	Up to 32 characters (half size), alphanumeric characters, marks			
			Security		Set the Security as an access point.	WPA2-PSK (AES)	None, WEP, WPA-PSK (TKIP), WPA-PSK (AES), WPA2-PSK (AES), WPA/WPA2 mixed PSK			
Password			Set the Password as an access point.	00000000	Up to 64 characters (half size), alphanumeric characters, marks					
Channel			Set the channel as an access point.	11	Differs depending on the USB wireless LAN adaptor models. <ul style="list-style-type: none"> • Models for United States and Canada: 1 – 11 • Others: 1 – 13 When no USB wireless LAN adaptor is connected, setting range is channels 1 – 13.					

To call up the desired parameter:					785	775	795GP	745	735	765GP
Press the [FUNCTION] button several times to select "System" menu, then use the [^]/[v]/[<]/[>] buttons to select the desired parameter.					≡		○ FUNCTION			
[>] [<]	[>] [<]	[>] [<]	[>] [<]	[>] [<]	Description	Default setting	Setting range			
Utility	Wireless LAN ¹ (In the "Accesspoint" mode) ²	DHCP Server		Set the IP address related settings.	On	On, Off				
		IP Address			192.168.0.1	192. 168. 0-255. 1-254.				
		Subnet Mask			255.255.255.0	255.255.0.0, 255.255.128.0, 255.255.192.0, 255.255.224.0, 255.255.240.0, 255.255.248.0, 255.255.252.0, 255.255.254.0, 255.255.255.0				
		Save			–	–				
	Wireless LAN Option ¹	Wireless LAN Mode	Infrastructure Mode	Determines whether the access point is used for wireless LAN connection (Infrastructure Mode) or not (Accesspoint Mode).	Infrastructure Mode	–				
Accesspoint Mode			–							
Initialize		Cancel	Initialize the settings in the wireless LAN display. Move the highlight to "Execute," then press the [>] button to execute the initialization.	Cancel	–					
		Execute			–					
Detail		Host Name		Set the Host name.	[CLP-****]- [xxxxxx (MAC address lower 6 figure)]	Up to 57 characters (half size) including alphanumeric characters, the "_" (underscore) and "-" (hyphen) character.				
		Mac Address		Display the MAC address of the USB wireless LAN adaptor.	–	–				
	Status		Display the error code of network function.	–	–					

*1 The "Wireless LAN" and "Wireless LAN option" settings are shown only when you connect the USB wireless LAN adaptor UD-WL01 (sold separately) to the USB [TO DEVICE] terminal on this instrument.

*2 Wireless LAN menus differ in the Wireless LAN Mode parameters between the two modes: "Infrastructure" and "Accesspoint." The default setting for the Wireless LAN Mode is "Infrastructure."

■ Scale Tune List (Temperament List)

Equal Temperament	One octave is divided into twelve equal intervals. Currently most popular piano tuning scale.
PureMajor/PureMinor	Based on natural overtones, three major chords using these scales produce a beautiful, pure sound.
Pythagorean	This scale was devised by Pythagoras, the famous Greek philosopher and is created from a series of perfect fifths, which are collapsed into a single octave. The 3rd in this tuning is slightly unstable, but the 4th and 5th are beautiful and suitable for some leads.
MeanTone	This scale was created as an improvement on the Pythagorean scale, by making the major third interval more "in tune." It was especially popular from the 16th century to the 18th century. Handel, among others, used this scale.
Werckmeister/ Kirnberger	These scales combine Mean Tone and Pythagorean in different ways. With these scales, modulation changes the impression and feel of the Songs. They were often used in the era of Bach and Beethoven. They are also often used now to reproduce the music of that era on harpsichords.

■ Backup Setting

(Selecting parameters maintained even when the power is turned off)

This lets you set whether some settings of the Backup Setting (below) are maintained or not when the power is turned off. The Backup Setting consists of two groups, “Voice” (including Voice related settings such as Voice selection) and “Other” (including various settings such as Song Repeat and Tuning), which can be set individually.

Data and settings maintained even when the power is turned off

- User MIDI Song (saved in this instrument’s “User” memory)
- System menu
Bluetooth* On/Off
Keyboard (Duo Type only)
Utility
- Backup Setting (explained here)

*For information on whether Bluetooth functionality is included with the instrument or not, refer to page 142.

1. Press the [FUNCTION] button several times to select the “System” menu (page 86).
2. Use the [^]/[v] buttons to select “Backup,” use the [>] button to call up the next display, then use the [^]/[v] buttons to select “Backup Setting.”
3. Use the [>] then the [^]/[v] buttons to select “Voice,” then use the [>] button to select “On” or “Off.”
Each “Voice” contains the following settings:
 - Voice selection for R1, R2 and L
 - All the parameters other than Transpose in the “Voice” menu
4. Use the [^]/[v] buttons to select “Other,” then use the [>] button to select “On” or “Off.”
The “Other” contains the following settings:
 - In the “Song” menu: Song Repeat, Volume (Song-Keyboard), Audio Volume, Quick Play, Play Track
 - In the “Metronome/Rhythm” menu: Volume, BPM, Bell On/Off, Intro, Ending, Bass
 - In the “System” menu: Tuning, Keyboard (except “Duo” and “Duo Type”), Pedal, Sound, MIDI
5. Press the [EXIT] button to exit from the “System” menu display.

■ Backup

(Saving the Backup file for internal data)

This lets you save data on internal memory to the connected USB flash drive as a backup file (named “clp-***.bup”). This backup file can be loaded to the instrument via the Restore function (page 105) for future.

NOTICE

- It may take 1 – 2 minutes to complete this operation. Never turn off the power during this operation (while “Executing” is shown). Doing so could result in damage to the data.
- If the same backup file (clp-***.bup) is already saved in the USB flash drive, this operation will overwrite or replace this file with new one.

1. Connect the USB flash drive to the USB [TO DEVICE] terminal.
2. Press the [FUNCTION] button several times to select the “System” menu (page 86).
3. Use the [^]/[v] buttons to select “Backup,” use the [>] button to call up the next display, then use the [^]/[v] buttons to select “Backup.”
4. Use the [>] button to call up the next display, then use the [^]/[v] buttons to select “Execute.”
5. Press the [>] button to execute the Backup operation.
6. Press the [EXIT] button to exit from the “System” menu display.

NOTE

When you want to restore the settings in the backup file, execute the Restore function.

■ Restore

(Restarting the instrument with the Backup file loaded)

This lets you load the backup file (clp-***.bup) saved via the Backup function (page 104) to the instrument on.

NOTICE

- It may take 1 – 2 minutes to complete this operation. Never turn off the power during this operation (while “Executing” is shown). Doing so could result in damage to the data.
- If recorded Songs reside on “User” memory, make sure to move the Songs to the USB flash drive by following the instructions page 68 before executing this operation. If you do not, the Songs will be deleted via this operation.

1. **Connect the USB flash drive containing the Backup file to the USB [TO DEVICE] terminal.**
2. **Press the [FUNCTION] button several times to select the “System” menu (page 86).**
3. **Use the [^]/[v] buttons to select “Backup,” use the [>] button to call up the next display, then use the [^]/[v] buttons to select “Restore.”**
4. **Use the [>] button to call up the next display, then use the [^]/[v] button select “Execute.”**
5. **Press the [>] button to execute the Restore operation.**

A message indicating that the operation is completed appears, then the instrument will restart after a while.

■ Factory Reset

(Restarting the instrument with the initial factory settings loaded)

This lets you reset this instrument to its factory default settings which refers to the initial setting preprogrammed when shipped from the factory, and is called up when you first turn on the power to this instrument.

Note that the following points.

- This operation resets the Backup Setting (page 104) to the default setting.
- This operation will not delete the Songs saved in the User folder.

- This operation will not delete the Bluetooth* pairing information (page 78).

*For information on whether Bluetooth functionality is included with the instrument or not, refer to page 142.

NOTICE

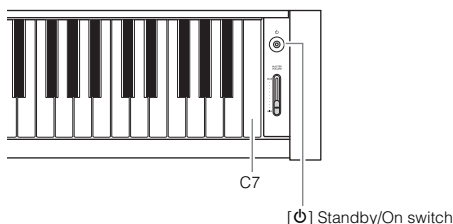
Never turn off the power during this operation (while “Factory reset executing” is shown). Doing so could result in damage to the data.

1. **Press the [FUNCTION] button several times to select the “System” menu (page 86).**
2. **Use the [^]/[v] buttons to select “Backup,” use the [>] button to call up the next display, then use the [^]/[v] buttons to select “Factory Reset.”**
3. **Use the [>] button to call up the next display, then use the [^]/[v] buttons to select “Execute.”**
4. **Press the [>] button to execute the Restore operation.**

A message indicating that the operation is completed appears, then the instrument will restart after a while.

● Alternate method for restoring the default settings

Press and hold down the white key on the right end (C7) and press the [⏻] (Standby/On) switch to turn on the power to this instrument. This operation will not delete the Songs in the User folder.



Preset Voice List

The preset Voices that are available differ among the models. The rows of the model names indicate if the model(s) have the corresponding preset Voices or not.

Voice Group	Voice Name	Stereo Sampling	Touch Sense	Key-off Sampling	Voice description	CLP -785/-795GP	CLP -775/-745/-735/-765GP
Piano	CFX Grand	○	○	○	Yamaha's CFX concert grand piano sound with a wide dynamic range for maximum expressive control. Suitable for playing in any music genre and style. When this Voice is selected, connecting the headphones automatically enables binaural sampling sound (page 22).	○	○
	Bösendorfer	○	○	○	The famed sound of the Vienna-made Bösendorfer Imperial concert grand piano. Its spacious sound evokes the size of the instrument, and is ideal for expressing tenderness in compositions. When this Voice is selected, connecting the headphones automatically enables binaural sampling sound (page 22).	○	○
	Upright Piano	○	○	–	The sound sampled from an upright piano, the Yamaha SU7. Enjoy the unique tonal character and a lighter, more casual feel.	○	○
	Studio Grand	○	○	○	The sound of Yamaha's C7 grand piano, which is often used in recording studios. Its bright and clear sound is good for popular styles.	○	–
	Bright Grand	○	○	○	Bright piano sound. Good for clear expression and "cutting through" other instruments in an ensemble.	○	○
	Mellow Grand	○	○	○	Mellow piano sound. Good for quiet and slow music.	○	○
	Ballad Grand	○	○	○	Grand piano sound with a soft and warm tone. Good for playing ballads.	○	–
	Warm Grand	○	○	○	Warm and soft piano sound. Good for relaxing music.	○	○
	Pop Grand	○	○	○	A slightly brighter piano sound. Good for popular styles.	○	○
	Jazz Grand	○	○	○	A piano sound with unique tonal character. Good for jazz styles.	○	○
	Rock Grand	○	○	○	A bright-sounding piano. Ideal for rock styles.	○	○
HonkyTonk Pf	○	○	–	A honky-tonk style piano. Enjoy a tonal character that is quite different than a grand piano.	○	○	
Fortepiano	Scarlatti Piano	○	○	○	The sound of a piano made by a musical instrument maker in Florence in the early 18th century. The maker is famous for inventing the piano. It is believed that Scarlatti used the piano made by the maker. The sound is bright and brilliant.	○	–
	Mozart Piano	○	○	–	The sound of a piano made by a musical instrument maker in Vienna in the late 18th century. Mozart and Beethoven played and highly appreciated the piano made by this manufacturer. Its sound is clear and light.	○	○
	Beethoven Piano	○	○	○	The sound of a piano made by a piano manufacturer in London in the early 19th century. Haydn and Beethoven composed many masterpieces inspired by the pianos of this manufacturer. It features a rich bass, sparkling highs and energetic fortissimo.	○	–
	Chopin Piano	○	○	–	The sound of a piano made by a piano manufacturer in Paris in the 19th century. Chopin deeply loved the pianos of this manufacturer, which responded well to his sensitive touch. It has a sound like a singing voice, sometimes luscious, sometimes mournful.	○	○
E.Piano	Stage E.Piano	–	○	○	The sound of an electric piano using hammer-struck metallic "tines." Soft tone when played lightly, and an aggressive tone when played hard.	○	○
	DX E.Piano	–	○	–	An electronic piano sound produced by an FM synthesizer. The tone will change as you vary your playing touch. Ideal for popular music.	○	○
	Vintage EP	–	○	○	The sound of an electric piano using hammer-struck metal reeds. Widely used in rock and popular music.	○	○
	Soft EP	–	○	○	An electric piano with a characteristic panning effect. Good for playing quiet ballads.	○	○
	Phaser EP	–	○	○	A distinctive phaser effect makes this ideal for fusion styles.	○	○
	DX Bright	–	○	–	A variation of electronic piano sound produced by an FM synthesizer. Its bright and sparkling sound character spice up the music.	○	○
	Tremolo Vintage	–	○	○	Includes tremolo ideal for Vintage EP. Frequently used in rock music.	○	○
Organ	Organ GrandJeu	○	–	–	A registration sound famous for use in French organ compositions. This dramatic sound is ideal for ending a performance.	○	–
	Organ Principal	○	–	–	This Voice features the combination of pipes (8'+4'+2') of a principal (brass instrument) organ. It is suitable for Baroque church music.	○	○
	Organ Tutti	○	–	–	This Voice features a full coupler of a pipe organ, famous for the sound used in Toccata and Fugue by Bach.	○	○
	Jazz Organ Slow	–	–	–	The sound of a "tonewheel" type electric organ. Sampled with Rotary SP effect, its rotation speed is slow. Often heard in jazz and rock idioms.	○	○

Voice Group	Voice Name	Stereo Sampling	Touch Sense	Key-off Sampling	Voice description	CLP -785/-795GP	CLP -775/-745/-735/-765GP
Organ	Jazz Organ Fast	–	–	–	A same type of electric organ sound as Jazz Organ Slow. This was sampled with the fast rotation speed of the rotary speaker effect. Switch Voices between Jazz Organ Slow and Jazz Organ Fast to add variations to your performance.	○	○
	Mellow Organ	–	–	–	A mellow electric organ sound. Pressing and releasing the left pedal switches between “fast” and “slow” of the Rotary Speaker speed.	○	○
	Organ Flute 1	○	–	–	A pipe organ sound that combines flute-type (woodwind type) stops of different pitches (8' + 4'). This is a gentle sound that is ideal for accompanying hymns.	○	–
	Organ Flute 2	○	–	–	A pipe organ sound that combines flute-type (woodwind type) stops of different pitches (8' + 4' + 1-1/3'). This is brighter than Organ Flute1, and is suitable for solos.	○	–
Strings	Strings	○	○	–	Stereo-sampled, large-scale strings ensemble with realistic reverb. Try combining this Voice with piano in the Dual mode.	○	○
	Slow Strings	○	○	–	The sound of a string ensemble, with a slow attack. Suitable for use in Dual mode with piano or electric piano.	○	○
	Choir	CLP-785/ 795GP: ○	○	–	A big, spacious choir Voice. Perfect for creating rich harmonies in slow pieces.	○	○
	Slow Choir	CLP-775/ 745/735/ 765GP: –	○	–	The sound of a choir with a slow attack. Suitable for use in Dual mode with piano or electric piano.	○	○
	Mellow Strings	○	○	–	A mellow string ensemble. Enjoy a tonal character that is different from a Strings.	○	–
	Dark Pad	–	○	–	Warm and spacious synth sound. Ideal for sustained parts in the background of an ensemble, or for use in Dual mode with piano or electric piano.	○	–
	Lite Pad	–	○	–	Bright and spacious synth sound. Ideal for sustained parts in the background of an ensemble, or for use in Dual mode with piano or electric piano.	○	–
	Bell Pad	○	○	–	Synth sound with a crisp, bell-like sound. Ideal for layering in Dual mode with a piano or electric piano sound, but also produces a bright, gorgeous sound on its own.	○	–
	Synth Pad	–	○	–	A warm, mellow, and spacious synth sound. Ideal for sustained parts in the background of an ensemble, or for use in Dual mode with piano or electric piano.	–	○
Bass	Acoustic Bass	–	○	–	The sound of a finger-plucked upright bass. Frequently used in jazz and Latin music.	○	○
	Bass & Cymbal	–	○	–	The sound of a cymbal has been layered onto the bass. Effective when used for jazz walking-bass lines.	○	○
	Electric Bass	–	○	–	The sound of an electric bass. Frequently used in jazz, rock, and popular music.	○	○
	Fretless Bass	–	○	–	The sound of a fretless bass. Suitable for styles such as jazz and fusion.	○	○
	Vintage Bass	–	○	–	A different type of electric bass with a rich sound.	○	–
Others	Harpsichord 8'	○	–	○	The sound of the instrument frequently used in baroque music. Variations in playing touch will not affect the volume, and a characteristic sound will be heard when you release the key.	○	○
	Harpsi. 8'+4'	○	–	○	A harpsichord with an added upper octave. Produces a more brilliant sound.	○	○
	Harp	–	○	–	This sound was sampled from a grand harp. This sound, with a bright attack, is ideal for playing gorgeous phrases.	○	–
	Vibraphone	○	○	–	A Vibraphone sound, sampled in stereo. Its spacious and clear sound is ideal for popular music. Pressing the left pedal switches Vibrato on and off.	○	○
	Marimba	○	○	–	A marimba sound, sampled in stereo for spaciousness and realism.	○	–
	Celesta	○	○	–	The sound of a celesta (a percussion instrument in which hammers strike metallic bars to produce sound). This instrument is well-known for its appearance in “Dance of the Sugar-plum Fairies” from Tchaikovsky’s “Nutcracker Suite.”	○	–
	Nylon Guitar	○	○	–	Stereo-sampled, nylon-string guitar with natural reality. Suitable for any style of musics.	○	○
	Steel Guitar	–	○	–	A bright steel-string guitar sound. Ideal for popular music.	○	○
	Scat	–	○	–	You can enjoy jazz “scatting” with this Voice. Depending on how hard and what note range you play, different sounds will be produced.	○	–
XG	–	–	○	–	For details on XG Voices, refer to the “Data List” on the website (page 8).	○	–

Key-off Sampling

Samples of the very delicate noises that are produced when keys are released.

NOTE

- Grand Expression Modeling is effective only for the Voices of “CFX Grand” and “Bösendorfer.” For details about Grand Expression Modeling, refer to page 29.
- VRM is effective only for Voices in the Piano group. For details about VRM, refer to page 29.

Voice Demo Song List

CLP -785/ -795GP	CLP -775/ -745/ -735/ -765GP	Voice Name	Title	Composer
○	○	CFX Grand	Allegro de concierto Cis dur	E. Granados
○	○	Bösendorfer	Widmung S.566 R.253	F. Liszt / R. Schumann
○	○	Upright Piano	Sonatine F dur Anh.5(2) 1st mov.	L. v. Beethoven
○	–	Studio Grand	Original	–
–	○	Bright Grand	Original	–
○	–	Scarlatti Piano	Sonata G dur K.14 L.387	G. D. Scarlatti
○	○	Mozart Piano	Sonata No.15 C dur K.545 1st mov.	W. A. Mozart
○	–	Beethoven Piano	Für Elise a moll	L. v. Beethoven
○	○	Chopin Piano	Nocturne op.27-2 Des dur	F. F. Chopin
○	○	Stage E.Piano	Original	–
○	○	DX E.Piano	Original	–
○	○	Vintage EP	Original	–
○	–	Organ GrandJeu	Original	–
–	○	Organ Principal	Herr Christ, der ein'ge Gottes-Sohn BWV 601	J. S. Bach
○	○	Organ Tutti	Original	–
○	○	Jazz Organ Slow	Original	–
○	○	Strings	Original	–
○	○	Choir	Original	–
○	–	Dark Pad	Original	–
–	○	Synth Pad	Original	–
○	○	Acoustic Bass	Original	–
○	○	Electric Bass	Original	–
○	○	Fretless Bass	Original	–
○	○	Harpsichord 8'	Concerto a cembalo obbligato, 2 violini, viola e continuo No.7 g moll BWV 1058 1st mov.	J. S. Bach
○	–	Harp	Original	–
○	○	Vibraphone	Original	–
○	○	Nylon Guitar	Original	–
○	–	XG	Original	–

The Demo Songs excluding original Songs are short rearranged excerpts from the original compositions. The original Demo Songs are Yamaha originals (© Yamaha Corporation).

Song List

50 Classical

No.	Song Title	Composer
Arrangements		
1	Canon D dur	J. Pachelbel
2	Air On the G String	J. S. Bach
3	Jesus, Joy of Man's Desiring	J. S. Bach
4	Twinkle, Twinkle, Little Star	Traditional
5	Piano Sonate op.31-2 "Tempest" 3rd mov.	L. v. Beethoven
6	Ode to Joy	L. v. Beethoven
7	Wiegenlied op.98-2	F. P. Schubert
8	Grande Valse Brillante	F. F. Chopin
9	Polonaise op.53 "Héroïque"	F. F. Chopin
10	La Campanella	F. Liszt
11	Salut d'amour op.12	E. Elgar
12	From the New World	A. Dvořák
13	Sicilienne	G. U. Fauré
14	Clair de lune	C. A. Debussy
15	Jupiter (The Planets)	G. Holst
Duets		
16	Menuett (Eine kleine Nachtmusik K.525)	W. A. Mozart
17	Menuett G dur	L. v. Beethoven
18	Marcia alla Turca	L. v. Beethoven
19	Piano Concerto No.1 op.11 2nd mov.	F. F. Chopin
20	The Nutcracker Medley	P. I. Tchaikovsky
Original Compositions		
21	Prelude (Wohltemperierte Klavier I No.1)	J. S. Bach
22	Menuett G dur BWV Anh.114	J. S. Bach
23	Piano Sonate No.15 K.545 1st mov.	W. A. Mozart
24	Turkish March	W. A. Mozart
25	Piano Sonate op.13 "Pathétique" 2nd mov.	L. v. Beethoven
26	Für Elise	L. v. Beethoven
27	Piano Sonate op.27-2 "Mondschein" 1st mov.	L. v. Beethoven
28	Impromptu op.90-2	F. P. Schubert
29	Frühlingslied op.62-6	J. L. F. Mendelssohn
30	Fantaisie-Impromptu	F. F. Chopin
31	Etude op.10-3 "Chanson de l'adieu"	F. F. Chopin
32	Etude op.10-12 "Revolutionary"	F. F. Chopin
33	Valse op.64-1 "Petit chien"	F. F. Chopin
34	Nocturne op.9-2	F. F. Chopin
35	Nocturne KK4a-16/BI 49 [Posth.]	F. F. Chopin
36	Träumerei	R. Schumann
37	Barcarolle	P. I. Tchaikovsky
38	La prière d'une Vierge	T. Badarzewska
39	Liebesträume No.3	F. Liszt
40	Blumenlied	G. Lange
41	Humoresque	A. Dvořák
42	Arietta	E. H. Grieg
43	Tango (España)	I. Albéniz
44	The Entertainer	S. Joplin
45	Maple Leaf Rag	S. Joplin
46	La Fille aux Cheveux de Lin	C. A. Debussy
47	Arabesque No.1	C. A. Debussy
48	Cakewalk	C. A. Debussy
49	Je te veux	E. Satie
50	Gymnopédies No.1	E. Satie

Lesson Songs

Album Title	No. /Song Title	Composer	
Vorschule im Klavierspiel op.101	1-106	F. Beyer	
25 Etudes faciles et progressives op.100	1	La candeur	J. F. Burgmüller
	2	Arabesque	
	3	Pastorale	
	4	Petite réunion	
	5	Innocence	
	6	Progrès	
	7	Courant limpide	
	8	La gracieuse	
	9	La chasse	
	10	Tendre fleur	
	11	La bergeronnette	
	12	Adieu	
	13	Consolation	
	14	La styrienne	
	15	Ballade	
	16	Douce plainte	
	17	Babillarde	
	18	Inquiétude	
	19	Ave Maria	
	20	Tarentelle	
	21	Harmonie des anges	
	22	Barcarolle	
	23	Retour	
	24	L'hirondelle	
	25	La chevaleresque	
100 Übungsstücke op.139	1-100	C. Czerny	
30 Etudes de mécanisme op.849	1-30	C. Czerny	
The Virtuoso Pianist	1-20 1-Variation. 1-22	C-L. Hanon	

About Duet Songs

The songs listed below are duet songs.

- Nos.16-20 of "50 Classical"
- Nos. 1-11 of the Vorschule im Klavierspiel op.101 of "Lesson Songs" as well as 32-34, 41-44, 63-64, and 86-87

The right-hand part is for the right hand of the first player, the left-hand part is for the left hand of the first player, and Extra part is for the both hands of the second player.

Rhythm List

Category	No.	Name
Pops&Rock	1	8Beat
	2	16Beat
	3	Shuffle1
	4	Shuffle2
	5	Shuffle3
	6	Gospel
	7	8BeatBallad
	8	6-8SlowRock
Jazz	9	FastJazz
	10	SlowJazz
	11	Swing
	12	JazzWaltz
Latin	13	Samba
	14	BossaNova
	15	Rumba
	16	Salsa
Kids&Holiday	17	KidsPop
	18	6-8March
	19	ChristmasSwing
	20	Christmas3-4

Message List

Some message display remains open. In this case, press the [EXIT] button to close message display.

Message	Meaning
Access error	The operation has failed. The following causes can be considered. If the following are not responsible, the file may be damaged. <ul style="list-style-type: none"> The file operation is wrong. Follow the instructions in "Handling Song Files" (page 65) or "Backup"/"Restore" (pages 104 – 105). The connected USB flash drive is not compatible with this instrument. For information on compatible USB flash drive, see page 74.
Bluetooth pairing...	The instrument is standing by for Bluetooth pairing. Refer to the instructions on page 78.
Cannot be executed	The operation has failed. The following causes can be considered. Solve the causes, and try again. <ul style="list-style-type: none"> The file operation you attempted cannot be executed to Preset Songs or an Audio Song. For information on the limitation of handling Song files, see page 65. The Song file operation cannot be made to an empty Song file (page 55) or NoSong. NoSong: This is displayed when you select a folder which does not contain any Songs.
Change to Current Tempo	This message indicates that you are applying the current tempo to the selected Song.
Change to Current Voice	This message indicates that you are changing the Voice of the Song with the current Voice.
Completed	This message indicates that the operation is completed. Go on to the next step.
Completed Restart now	Restore is completed. The instrument is automatically turned on again.
Convert canceled	This message appears when the convert operation is canceled.
Convert completed to USB/USERFILES/	This message appears when the convert operation to the "USER FILES" folder on a USB flash drive is completed.
Convert to Audio	This message appears during the convert operation.
Copy completed to USB/USERFILES/	This message appears when the copy operation to the "USER FILES" folder on a USB flash drive is completed.
Copy completed to User	This message appears when the copy operation to the "User" on this instrument is completed.
Device busy	The operation, such as converting to the Audio Song or Audio Song playback/recording, has failed. This message appears when you attempt to use a USB flash drive to which recording/deleting operations are repeated. Execute the Format operation after making sure there is no important data in the USB flash drive (page 100), and try again.
Device removed	This message appears when the USB flash drive is removed from the instrument.
Duplicate name	This message indicates that an identically named file already exists. Rename the file (page 70).
Executing	The instrument is executing the operation. Wait until the message disappears, then go on to the next step.
Factory reset executing Memory Song excluded	The default settings (except the Songs in the "User") have been restored (page 105). This message also appears if you press and hold down the C7 key and turn on the power to the instrument.
Factory reset Completed Restart	Factory reset is completed. The instrument is then restarted.
Incompatible device	This message appears when an incompatible USB flash drive is connected. Use a device whose compatibility has been confirmed by Yamaha (page 74).
Internal hardware error	A malfunction has occurred in the instrument. Contact your nearest Yamaha dealer or authorized distributor.
Last power off invalid Checking memory	This message appears when the power is turned on after turning off the power while handling a Song file (page 65) or saving a backup file (page 104). The internal memory is being checked while this message appears. If the internal settings are damaged, they will be reset to the default settings. If the Songs in the "User" are damaged, they will be deleted.
Maximum no. of devices exceeded	The number of devices exceed the limitation. Up to two USB devices can be connected simultaneously. For details, see page 74.
Memory full	Since the capacity and the number of files in the "User"/USB flash drive are full, the operation cannot be completed. Delete some Songs in the "User"/USB flash drive or move Songs to another USB flash drive, and try again.
Move completed to USB/USERFILES/	This message appears when the move operation to the "USER FILES" folder on a USB flash drive is completed.
Move completed to User	This message appears when the move operation to "User" on the instrument is completed.
No device	A USB flash drive was not connected to the instrument when you attempted to perform a device-related operation. Connect the device, and try again.

Message	Meaning
No response from USB device	The instrument cannot communicate with the connected USB device. Redo the connection (page 74). If you still see this message, the USB device may be damaged.
Please wait	The instrument is processing the data. Wait until the message disappears, then go on to the next step.
Protected device	This message appears when you attempt a file operation (page 65), record your performance or save the data on a read-only USB flash drive. Cancel the read-only setting, if possible, and try again. If you still see this message, the USB flash drive is internally protected (such as commercially available music data). You cannot make the file operation or record your performance to such a device.
Read-only file	You attempted a file operation to a read-only file. Read-only files have handling limitations (page 65), and cannot be used for editing (page 61). Use a read-only file after overriding the read-only setting.
Remaining space on drive is low	Since the remaining space on the "User"/USB flash drive is low, delete any unnecessary files (page 67) before recording.
Same file name exists	This message appears to prompt you to confirm if overwriting or not when executing a Copy/Move/ MIDI to Audio operation.
Song error	This message appears, if a problem is found with the Song data when you select a Song or while the Song is playing. In this case, reselect the Song, and try again to play back. If the message still appears, the Song data may have been damaged.
Song too large	<p>The size of Song data (MIDI/Audio) exceeds the limitation. The following causes can be considered.</p> <ul style="list-style-type: none"> • The Song size you attempt to play back exceeds the limitation. The limitation for playback is approx. 500KB (MIDI), 80 minutes (Audio). • The Song size exceeds the limitation during recording. The limitation for recording is approx. 500KB (MIDI), 80 minutes (Audio). The recording will end automatically and the recorded data before the end is saved. • The Song size exceeds the limitation during converting a MIDI Song to an Audio Song. The limitation is 80 minutes (Audio).
System limit	This message appears when the number of files exceeds the system limit. The maximum number of files and folders which can be saved in a folder is 250. Try again after deleting/moving the unnecessary file(s).
This data format is not supported	This message appears when you attempted to load a Song of unsupported format to this instrument. Refer to the page 43 about supported Song formats.
Unformatted device	This message appears when you attempt to use an unformatted USB flash drive. Format it (page 100), and try again.
Unsupported device	This message appears when an unsupported USB flash drive is connected. Use a device whose compatibility has been confirmed by Yamaha (page 74).
USB device overcurrent error	Communication with the USB device has been cut off because of an abnormal power surge to the device. Disconnect the USB device from the USB [TO DEVICE] terminal and turn the [⏻] (Standby/On) switch of the instrument standby and on again.
USB hub hierarchical error	The USB hub is connected in two layers. USB hub use is limited to one layer.
USB power consumption exceeded	A bus-powered USB hub is usually recommended. When this message appears, however, use a self-powered USB hub (with its own power source) and turn the power to on, or use a device whose compatibility has been confirmed by Yamaha (page 74).
Wrong device	<p>The file operation cannot be made to the connected USB flash drive. The following causes can be considered.</p> <ul style="list-style-type: none"> • The USB flash drive is not formatted. Format it (page 100), and try again. • The number of files exceeds the system limit. The maximum number of files and folders which can be saved in a folder is 250. Try again after deleting/moving the unnecessary file(s).
Wrong name	<p>The Song name is not appropriate. This message appears during the "Renaming files" (page 70) operation because of the following causes. Rename the Song correctly.</p> <ul style="list-style-type: none"> • No character has been input. • You used a period or space at the beginning/ending of a Song name.

Troubleshooting

When a message is displayed, refer to the “Message List” (page 111) for troubleshooting aid.

Problem	Possible Cause and Solution
The instrument does not turn on.	The plugs are not properly connected. Make sure that the DC plug is securely inserted into the DC IN jack on the instrument, and that the AC plug is securely inserted to the AC outlet (page 15).
A click or pop is heard when the power is turned on or off.	This is normal when electrical current is being applied to the instrument.
The power is automatically turned off.	This is normal and due to the Auto Power Off function. If necessary, set the parameter of the Auto Power Off function (page 101).
The message “USB device overcurrent error” is shown and the USB device does not respond.	Communication with the USB device has been shut down because of the over-current to the USB device. Disconnect the device from the USB [TO DEVICE] terminal, then turn on the power of the instrument.
Noise is heard from the speakers or headphones.	The noise may be due to interference caused by the use of a mobile phone in close proximity to the instrument. Turn off the mobile phone, or use it further away from the instrument.
Noise is heard from the instrument’s speakers or headphones when using the instrument with your smart device, such as an iPhone/iPad.	When you use the instrument along with your smart device, we recommend that you set that device’s “Airplane Mode” to on and then the Wi-Fi/Bluetooth setting to on on your smart device, in order to avoid noise caused by communication.
The overall volume is low, or no sound is heard.	The Master Volume is set too low; set it to an appropriate level using the [MASTER VOLUME] slider (page 21).
	The volume level for the keyboard performance is set too low. Adjust the volume balance to increase the keyboard volume via the “Song” menu display: “Volume” → “Song - Keyboard” (page 52).
	Headphones or adaptor plugs are connected when the Speaker setting is “Normal” (page 100). Disconnect the headphone plugs and the adaptor plugs.
	The Speaker setting is “Off.” Set the Speaker to “Normal” via the “System” menu display: “Utility” → “Speaker” (page 100).
	Local Control is “Off.” Set Local Control “On” via the “System” menu display: “MIDI” → “Local Control” (page 99).
The speakers do not switch off when a pair of headphones is connected to the [PHONES] jack.	The Speaker setting is “On.” Set the speaker setting to “Normal” via the “System” menu display: “Utility” → “Speaker” (page 100).
Pedals do not function.	The pedal cord may not be securely connected to the [PEDAL] jack. Be sure to insert the pedal cord all the way until the metal part of the cord plug disappears from view (pages 118, 121, 124 or 131).
(CLP-785, CLP-795GP) The on/off setting of the pedal connected to the AUX PEDAL jack is reversed.	Some types of pedals may turn on and off in opposite fashion. Set to the appropriate parameter via the “System” menu display: “Pedal” → “Aux Polarity” (page 98).
The keyboard volume is lower than the Song playback volume.	The volume level for the keyboard performance is set too low. Adjust the volume balance to increase the keyboard volume via the “Song” menu display: “Volume” → “Song - Keyboard” (page 52).
The buttons do not respond.	While you are using a function, some buttons not used for the function are disabled. If the Song is playing, stop playback. Otherwise, press the [EXIT] button to return to the Voice or Song display. Then, perform the desired operation.
Higher or lower notes do not sound correctly when the transpose or octave setting is made.	This instrument can cover the range of C -2 – G8 when you set the transposition or octave. If notes lower than C -2 are played, the sound is moved one octave higher. If notes higher than G8 are played, the sound is moved one octave lower.
Performance in Dual/Split/Duo mode is not recorded, or part data is lost unexpectedly.	Switching to Dual/Split/Duo mode in the middle of the Song is not recorded. Also, the recording part for the Voice 2 (Dual mode) or the left Voice (Split/Duo mode) is automatically assigned (page 57). If the assigned part already has data, the data will be overwritten and deleted when you record.
Depending on the selected Voice, the keyboard sound in Duo mode may be output from only one speaker.	This is because the default pan setting differs depending on the Voice. Change the settings of “Duo-Type” (page 98) from “Separated” to “Balanced,” or change the “Pan” settings (page 88).

Problem	Possible Cause and Solution
The Song title is not correct.	The "Language" setting may be different than that is selected when you named the Song. Also, if the Song was recorded on another instrument, the title might be displayed incorrectly. Set the "Language" parameter (page 101) via the "System" menu display: "Utility" → "Language" → "Song" to change the setting. However, if the Song was recorded on another instrument, changing the "Language" parameter setting may not resolve the problem.
Menu display cannot be called up.	When Song is being played back, menu display other than "Voice" menu and "Song" menu will not appear. Stop the Song by pressing the [PLAY/PAUSE] button. Also, in the recording ready mode, only "Recording" menu display will appear.
Rhythm does not start.	"SynchStart" setting is on. Set "SynchStart" off in the "Metronome/Rhythm" menu display.
Metronome, MIDI Song or Rhythm goes out of tempo slightly when you play the keyboard.	This occurs infrequently when Grand Expression Modeling is set to "Dynamic." If this happens, set Grand Expression Modeling to "Static" (page 29).
The contents of the Wireless LAN is not shown in the display even though the USB wireless LAN adaptor is connected.	Disconnect the USB wireless LAN adaptor and connect it again.
The Bluetooth-equipped smart device cannot be paired with nor connected to the instrument.	Check the Bluetooth function of the smart device is activated. To connect the smart device and the instrument via Bluetooth, both devices need to be functional.
	The smart device and the instrument need to be paired so that the instrument receives audio data from the smart device via Bluetooth (page 78).
	In case there is a device (microwave oven, wireless LAN device, etc.) that outputs signals in the 2.4 GHz frequency band nearby, move this instrument away from the device that is emitting radio-frequency signals.

*For information on whether Bluetooth functionality is included or not, refer to page 142.

Assembling the Clavinova

Assembly Precautions

! CAUTION

- Assemble the unit on a hard and flat floor with ample space.
- Be careful not to confuse parts, and be sure to install all parts in the correct orientation. Please assemble the unit in accordance with the sequence given below.
- (CLP-785, CLP-775, CLP-745, CLP-735) Assembly should be carried out by at least two persons.
- (CLP-795GP, CLP-765GP) Assembly should be carried out by at least four persons.
- Be sure to use only the included screws of the specified sizes. Do not use any other screws. Use of incorrect screws can cause damage or malfunction of the product.
- Be sure to tighten all screws upon completing assembly of the unit.
- To disassemble the unit, reverse the assembly sequence given below. Failure to do so can result in damage to the instrument or personal injury.

Have a Phillips-head (+) screwdriver of the appropriate size ready.



Assembling the Clavinova

Reference page	
CLP-785	page 116
CLP-775	page 120
CLP-745	page 123
CLP-735	page 123
CLP-795GP	page 126
CLP-765GP	page 130

After completing the assembly, please check the following.

- **Are there any parts left over?**
Review the assembly procedure and correct any errors.
- **Is the instrument clear of doors and other movable fixtures?**
Move the instrument to an appropriate location.
- **Does the instrument make a rattling noise when you shake it?**
Tighten all screws.
- **Does the pedal box rattle or give way when you step on the pedals?**
Turn the adjuster so that it is set firmly against the floor.
- **Are the pedal and power cords inserted securely into the sockets?**
Check the connection.

When Moving the Instrument After Assembly

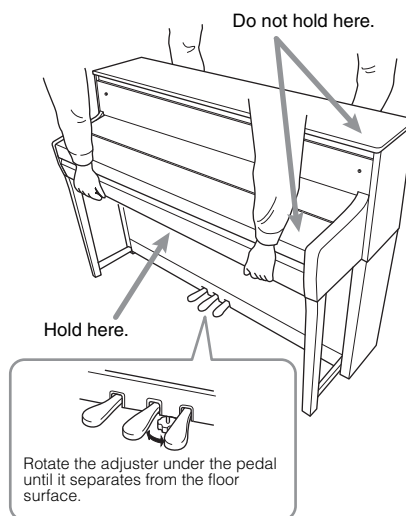
! CAUTION

- When moving the instrument after assembly, always hold the bottom of the main unit.
- Do not hold the key cover or top portion. Improper handling can result in damage to the instrument or personal injury.

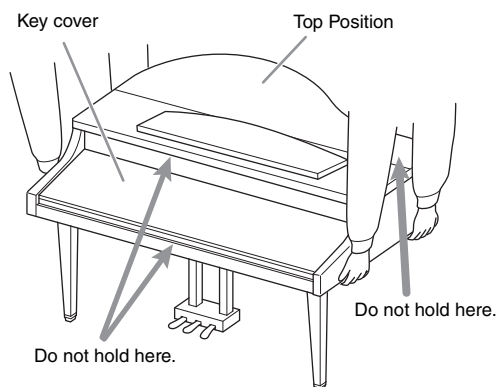
NOTICE

Rotate the adjuster under the pedal until it separates from the floor surface. Contact with the adjuster can result in damage to the floor surface.

785 775 745 735 795GP 765GP



785 775 745 735 795GP 765GP



! CAUTION

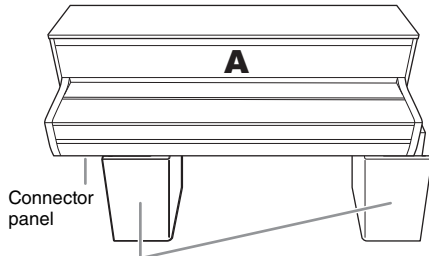
If the unit creaks or is otherwise unsteady when you play on the keyboard, refer to the assembly diagrams and retighten all screws.

Transporting

If you move to another location, refer to the "Transporting" on page 133.

CLP-785 Assembly

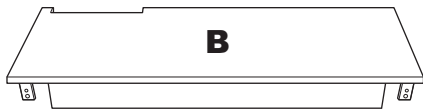
Remove all parts from the package and make sure you have all of the items.



Connector panel

Foamed styrol pads

Remove foamed styrol pads from the package, position them on the floor, then place A on top of them. Position the pads so that they will not hide the connector panel on the bottom of A.



B

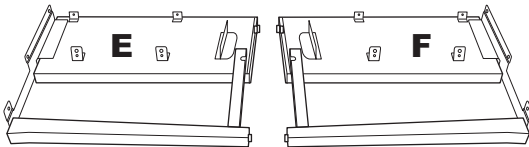


C



Bundled pedal cord inside

The pedals are covered with vinyl covers when shipped from the factory. Before starting the assembly, please make sure to remove the cover from the damper pedal.



E

F



6 x 20 mm round head screws x 4



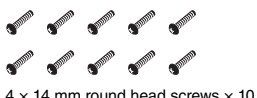
Cord holders x 2



6 x 20 mm flat head screws x 6



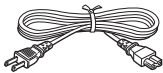
4 x 10 mm thin screws x 2



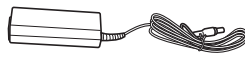
4 x 14 mm round head screws x 10



Headphone hanger



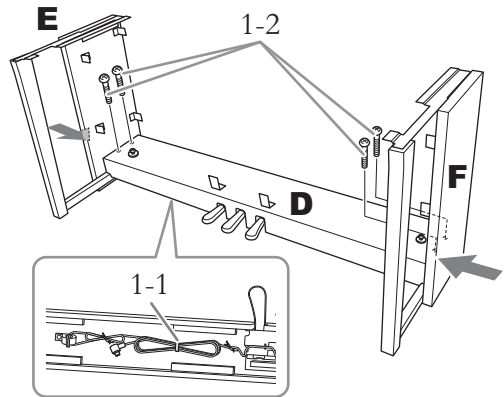
Power cord



AC adaptor

The power cord and AC adaptor may not be included, or may look different from the illustration above, depending on your particular area. Please check with your Yamaha dealer.

1. Attach E and F to D.

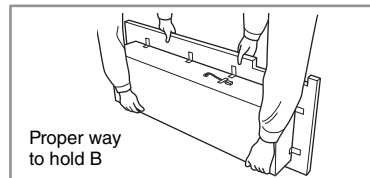


1-1. Remove the twist tie from the folded pedal cord.

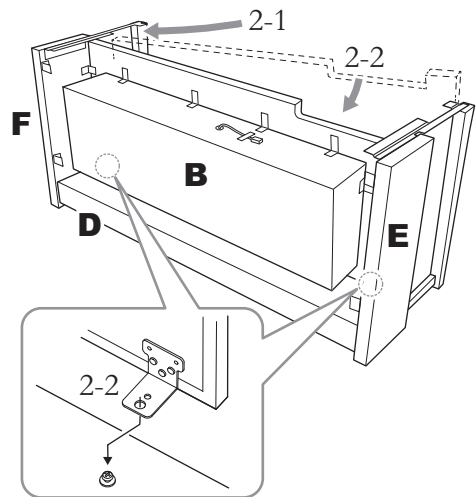
Don't discard the twist tie, you'll need it later in step 6.

1-2. While pushing the lower part of E and F from the outside, secure D using four 6 x 20 mm round head screws.

2. Attach B.

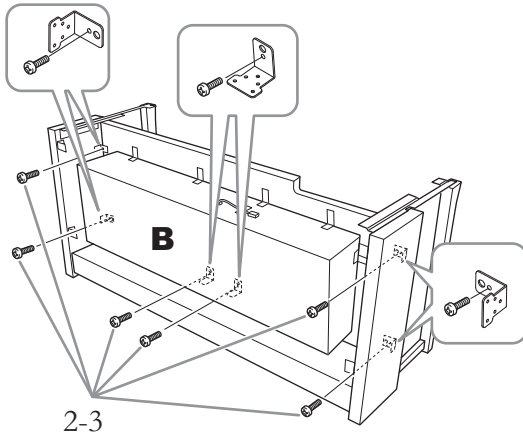


Proper way to hold B



2-1. Insert B between E and F as shown in the illustration.

2-2. Align and attach B to the front side of D, E and F, then align the larger holes on brackets of B to the screws on D.



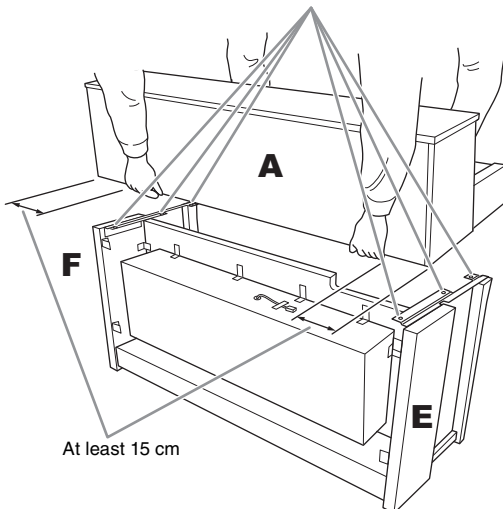
2-3. Temporarily secure with six 4×14 mm round head screws.

Insert six screws into the smaller holes on the brackets.

3. Mount A.

Be sure to place your hands at least 15 cm away from either end of the main unit when positioning it.

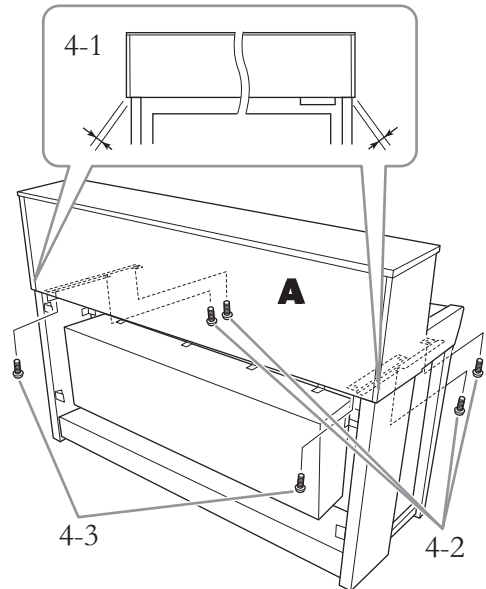
Align the screw holes.



CAUTION

- Be extra careful not to drop the main unit or let your fingers be pinched by it.
- Do not hold the main unit in any position other than the position specified above.

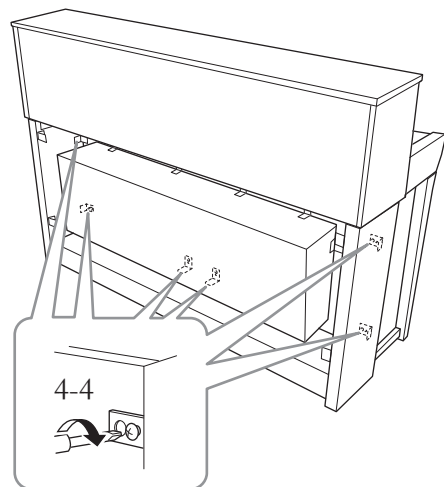
4. Attach A.



4-1. Adjust the position of A so that the left and right ends of A will project beyond E and F equally (as seen from the rear).

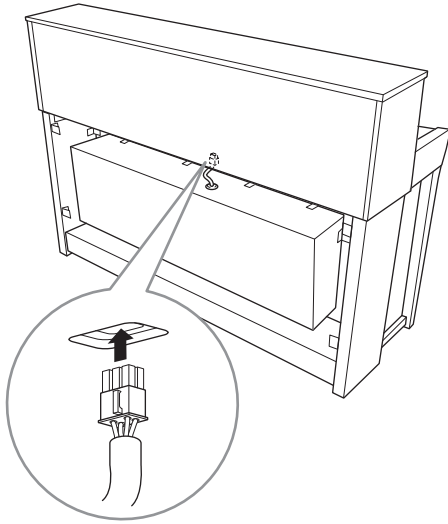
4-2. Secure A using four 6×20 mm flat head screws from the front.

4-3. Secure A using two 6×20 mm flat head screws from the rear.



4-4. Firmly tighten the screws from the upper parts you temporarily fastened in previous step 2-3 above (assembly B).

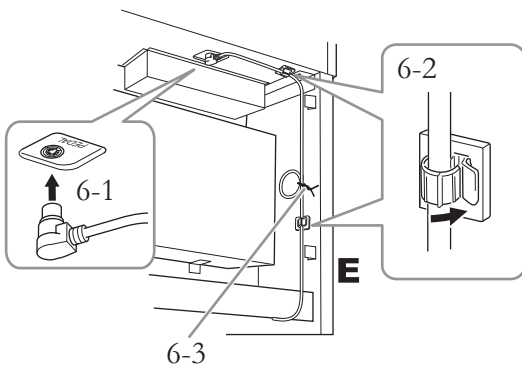
5. Connect the speaker cord.



5-1. Remove the twist tie attaching the speaker cord.

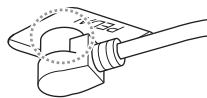
5-2. Insert the speaker cord plug into the connector so that the tab extends toward the front when viewed from the rear.

6. Connect the pedal cord and AC adaptor.



6-1. Insert the pedal cord plug into the [PEDAL] connector.

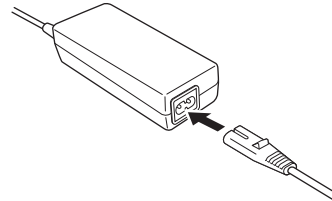
Insert the pedal cord securely until the metal part of the cord plug disappears from view. Otherwise, the pedal may not function properly.



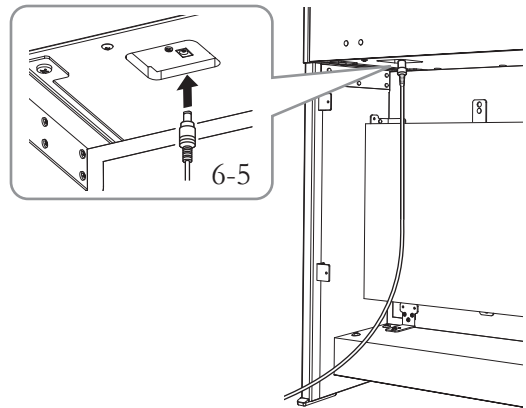
6-2. Attach the cord holders to the instrument, then clip the cord into the holders. At this time, be careful that the pedal cord isn't loose between the plug and cord holder.

6-3. Use a twist tie to bundle the pedal cord.

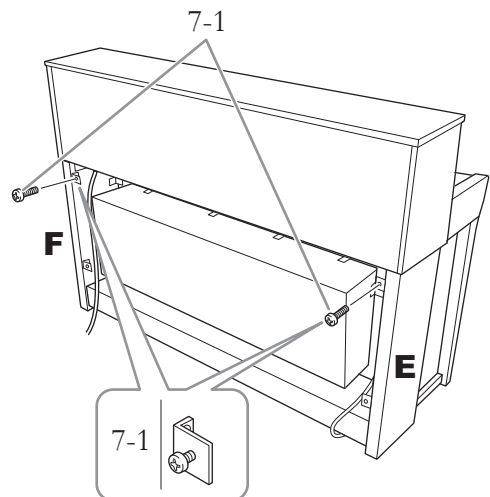
6-4. Connect one end of the power cord to the AC adaptor.



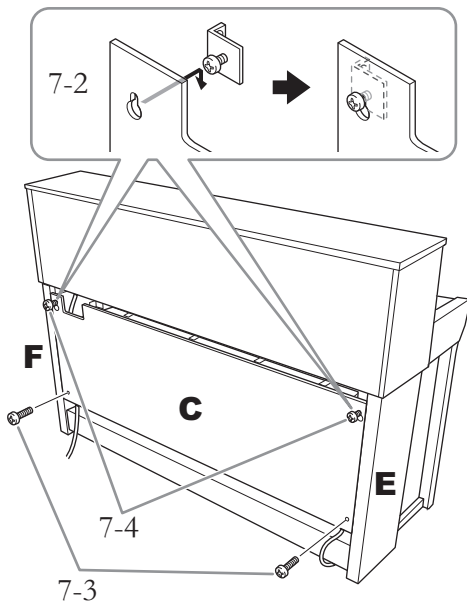
6-5. Insert the DC plug of the AC adaptor into the DC IN jack.



7. Attach C.



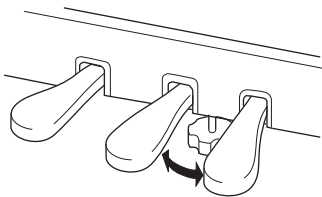
- 7-1. Attach the 4 × 14 mm round head screws to the brackets on the upper side of E and F. Make sure to leave a slight gap by not fully tightening the screws.



- 7-2. Hook C with holes onto the screws attached in step 7-1.
- 7-3. Secure the lower part of C using two 4 × 14 mm round head screws.
- 7-4. Securely tighten the screws on the upper part of C.

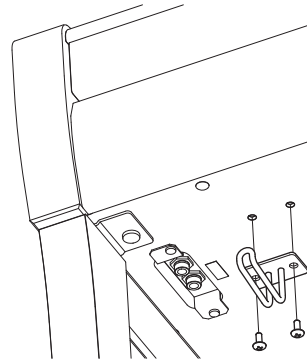
8. Set the adjuster.

Rotate the adjuster until it comes in firm contact with the floor surface.



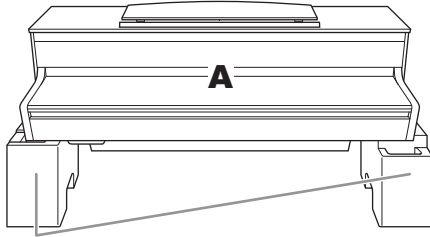
9. Attach the headphone hanger.

Use the two thin screws (4 × 10 mm) to attach the hanger as shown in the illustration.



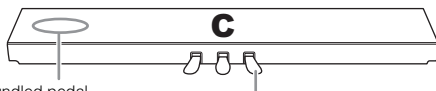
CLP-775 Assembly

Remove all parts from the package and make sure you have all of the items.



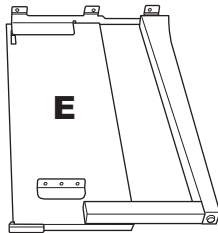
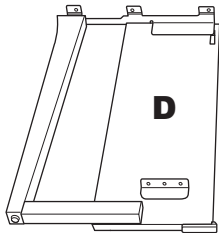
Foamed styrol pads

Remove foamed styrol pads from the package, position them on the floor, then place A on top of them. Position the pads so that they will not block the speaker box on the bottom of A.



Bundled pedal cord inside

The pedals are covered with vinyl covers when shipped from the factory. Before starting the assembly, please make sure to remove the cover from the damper pedal.



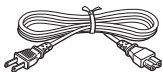
6 x 20 mm thick screws x 10



4 x 12 mm thin screws x 2



4 x 20 mm tapping screws x 4



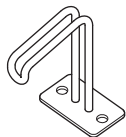
Power cord



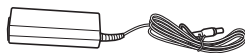
Cord holders x 2



4 x 10 mm thin screws x 2



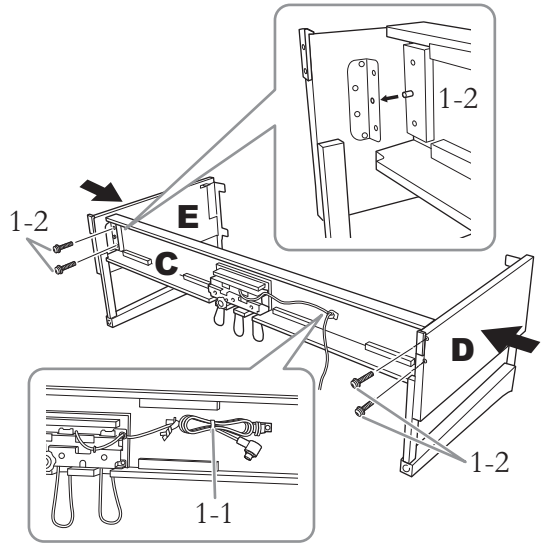
Headphone hanger



AC adaptor

The power cord and AC adaptor may not be included, or may look different from the illustration above, depending on your particular area. Please check with your Yamaha dealer.

1. Attach C to D and E.

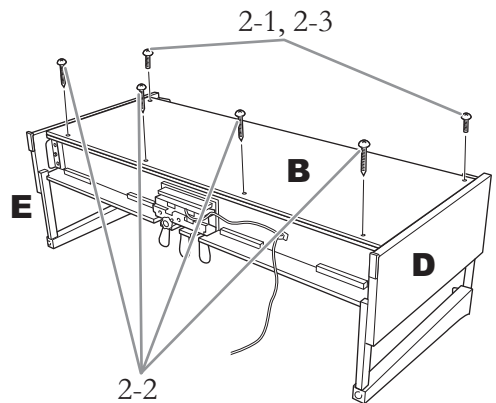


1-1. Untie and straighten out the bundled pedal cord. Do not discard the vinyl tie. You will need it later in step 5.

1-2. Insert the protrusions into the holes on the brackets, then attach D and E to C by tightening the four thick screws (6 x 20 mm).

2. Attach B.

Depending on the model of digital piano you purchased, the surface color of one side of B may be different from the other side. If so, position B so that the side similar in color to D and E faces the player.



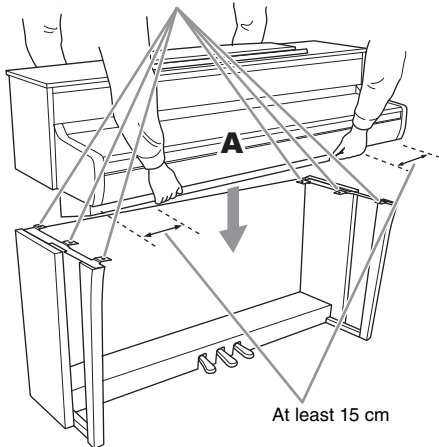
2-1. Align the screw holes on the upper side of B with the bracket holes on D and E, then attach the upper corners of B to D and E by finger-tightening two thin screws (4 x 12 mm).

- 2-2. Secure the bottom end of B using four tapping screws (4 × 20 mm).
- 2-3. Securely tighten the screws on the top of B that were attached in step 2-1.

3. Mount A.

Be sure to place your hands at least 15 cm away from either end of the main unit when positioning it.

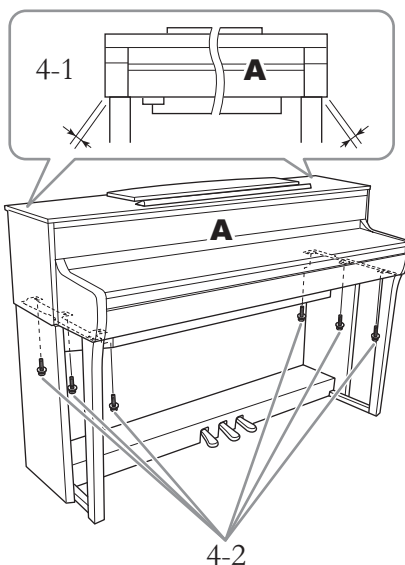
Align the screw holes.



! CAUTION

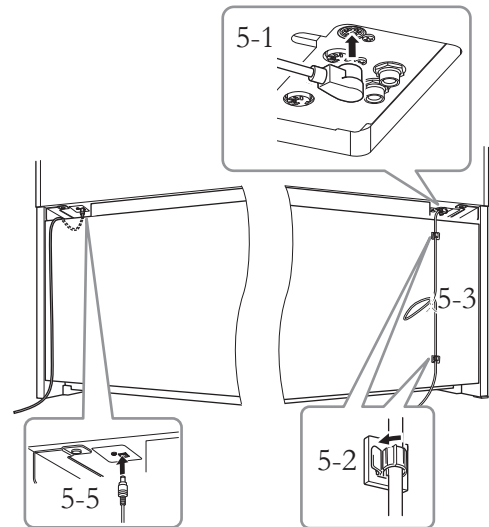
- Be extra careful not to drop the main unit or let your fingers be pinched by it.
- Do not hold the main unit in any position other than the position specified above.

4. Secure A.



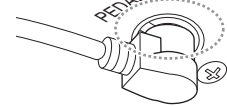
- 4-1. Adjust the position of A so that the left and right ends of A will project beyond D and E equally (as seen from the front).
- 4-2. Secure A by tightening six thick screws (6 × 20 mm) from the front.

5. Connect the pedal cord and AC adaptor.

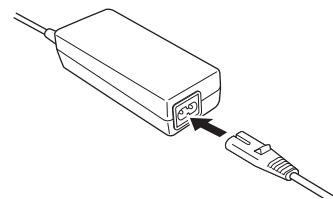


- 5-1. Insert the plug of the pedal cord into the pedal connector.

Insert the pedal cord securely until the metal part of the cord plug disappears from view. Otherwise, the pedal may not function properly.



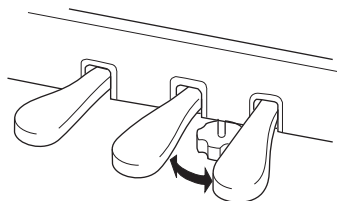
- 5-2. Attach the cord holders to the rear panel as shown, then clip the cord into the holders.
- 5-3. Use a vinyl tie to take up any slack in the pedal cord.
- 5-4. Connect one end of the power cord to the AC adaptor.



- 5-5. Insert the DC plug of the AC adaptor into the DC IN jack.

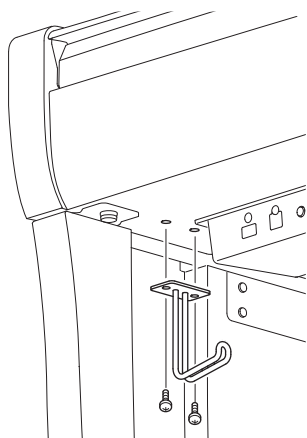
6. Set the adjuster.

Rotate the adjuster until it comes in firm contact with the floor surface.



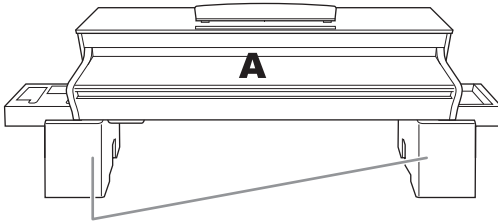
7. Attach the headphone hanger.

Use the two thin screws (4 × 10 mm) to attach the hanger as shown in the illustration.



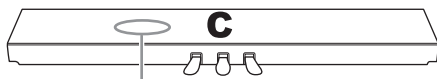
CLP-745, CLP-735 Assembly

Remove all parts from the package and make sure you have all of the items.

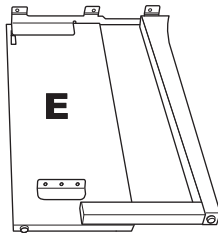
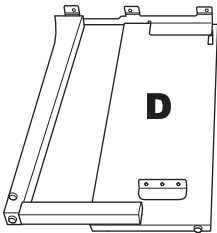


Foamed styrol pads

Remove foamed styrol pads from the package, position them on the floor, then place A on top of them. Position the pads so that they will not hide the connectors on the bottom of A.



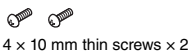
Bundled pedal cord inside



6 x 20 mm thick screws x 10



Cord holders x 2



4 x 10 mm thin screws x 2



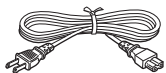
4 x 12 mm thin screws x 2



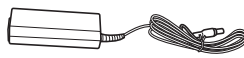
4 x 20 mm tapping screws x 4



Headphone hanger



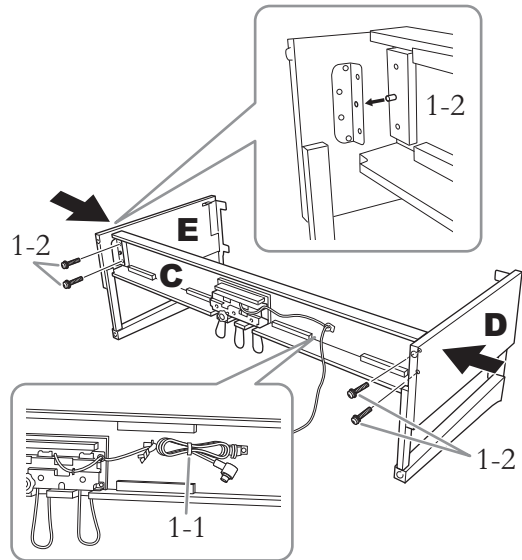
Power cord



AC adaptor

The power cord and AC adaptor may not be included, or may look different from the illustration above, depending on your particular area. Please check with your Yamaha dealer.

1. Attach C to D and E.

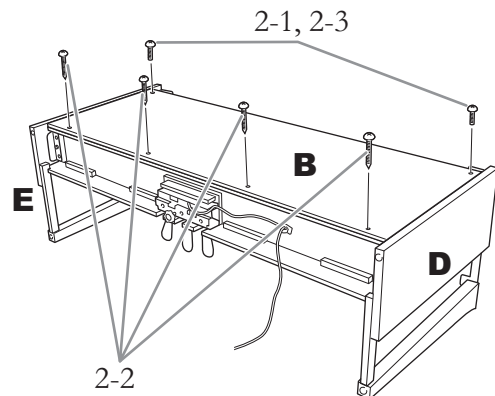


1-1. Untie and straighten out the bundled pedal cord. Do not discard the vinyl tie. You will need it later in step 5.

1-2. Insert the protrusions into the holes on the brackets, then attach D and E to C by tightening the four thick screws (6 x 20 mm).

2. Attach B.

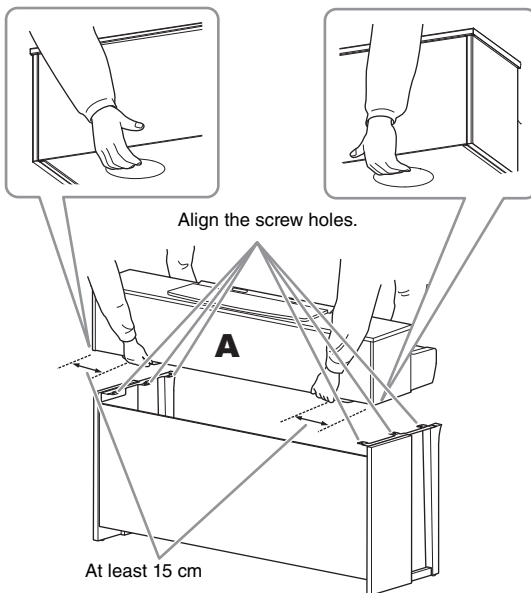
Depending on the model of digital piano you purchased, the surface color of one side of B may be different from the other side. If so, position B so that the side similar in color to D and E faces the player.



- 2-1. Align the screw holes on the upper side of B with the bracket holes on D and E, then attach the upper corners of B to D and E by finger-tightening two thin screws (4 × 12 mm).
- 2-2. Secure the bottom end of B using four tapping screws (4 × 20 mm).
- 2-3. Securely tighten the screws on the top of B that were attached in step 2-1.

3. Mount A.

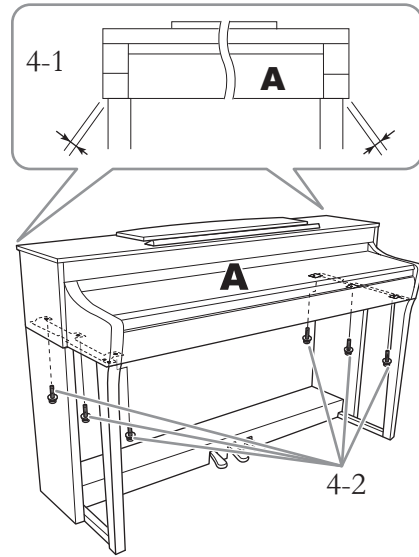
Be sure to place your hands at least 15 cm away from either end of the main unit when positioning it.



CAUTION

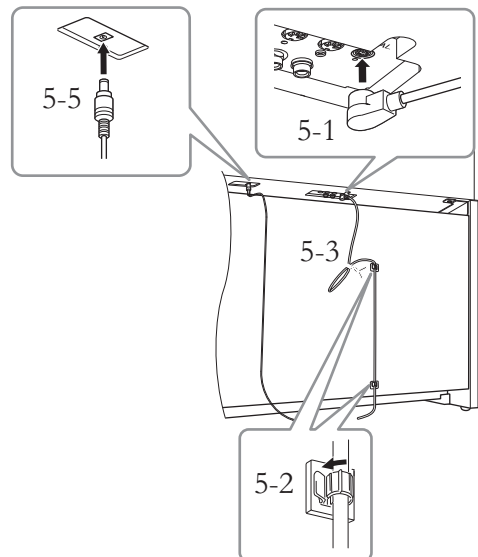
- Be extra careful not to drop the main unit or let your fingers be pinched by it.
- Do not hold the main unit in any position other than the position specified above.

4. Secure A.



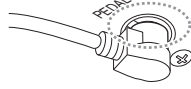
- 4-1. Adjust the position of A so that the left and right ends of A will project beyond D and E equally (as seen from the front).
- 4-2. Secure A by tightening six thick screws (6 × 20 mm) from the front.

5. Connect the pedal cord and AC adaptor.



5-1. Insert the plug of the pedal cord into the pedal connector.

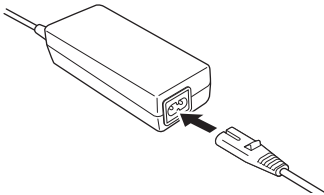
Insert the pedal cord securely until the metal part of the cord plug disappears from view. Otherwise, the pedal may not function properly.



5-2. Attach the cord holders to the rear panel as shown, then clip the cord into the holders.

5-3. Use a vinyl tie to take up any slack in the pedal cord.

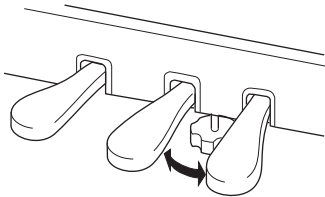
5-4. Connect one end of the power cord to the AC adaptor.



5-5. Insert the DC plug of the AC adaptor into the DC IN jack.

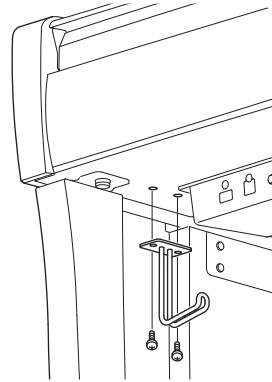
6. Set the adjuster.

Rotate the adjuster until it comes in firm contact with the floor surface.



7. Attach the headphone hanger.

Use the two thin screws (4 × 10 mm) to attach the hanger as shown in the illustration.

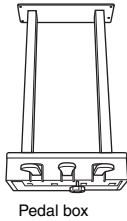
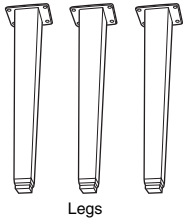
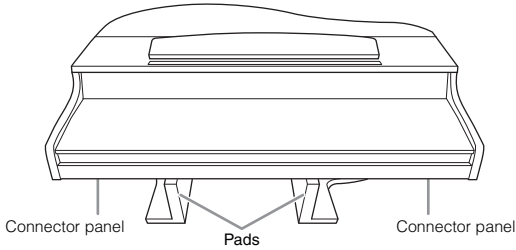


CLP-795GP Assembly

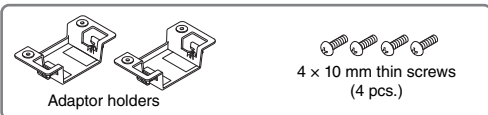
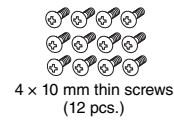
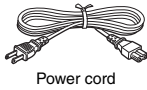
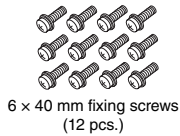
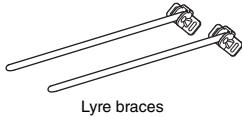
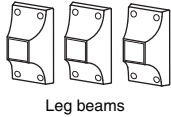
Remove all parts from the package and make sure you have all of the items.

Main unit

To prevent damage to the connector panels located at the bottom of main unit, make sure to place main unit on the Styrofoam pads. Also, make sure that the pads do not touch the connector panels.



Bundled pedal cord inside.
The pedals are covered with vinyl covers when shipped from the factory. Remove the cover from damper pedal for optimum use of the GP Responsive Damper Pedal effect.

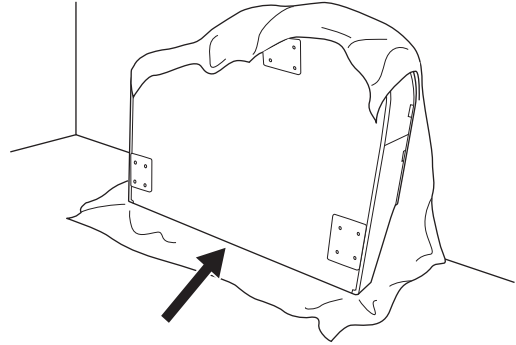


The power cord and AC adaptor may not be included, or may look different from the illustration above, depending on your particular area. Please check with your Yamaha dealer.

1. Lean the main unit against the wall as shown below.



Be careful not to pinch your fingers.



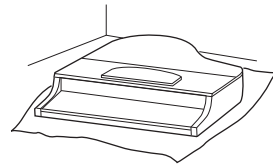
1-1. Spread a large soft cloth, such as a blanket, as shown to protect the floor and wall surfaces.

1-2. Lean the main unit against the wall with the key cover closed and the keyboard side on the bottom.

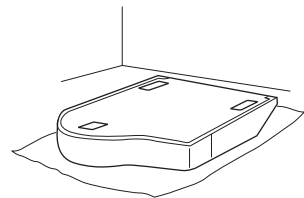
NOTICE

Do not place the main unit as shown in the illustration here.

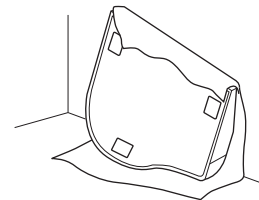
Incorrect



Incorrect

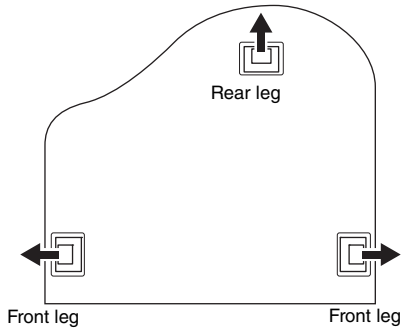


Incorrect



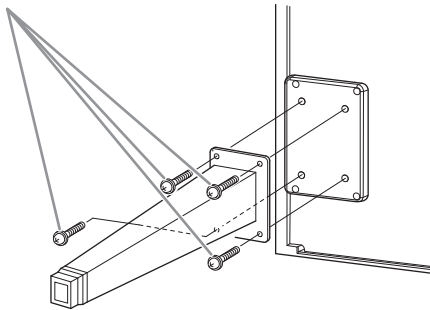
2. Attach the three legs and three leg beams.

Refer to the diagram below to verify the orientation of the legs.



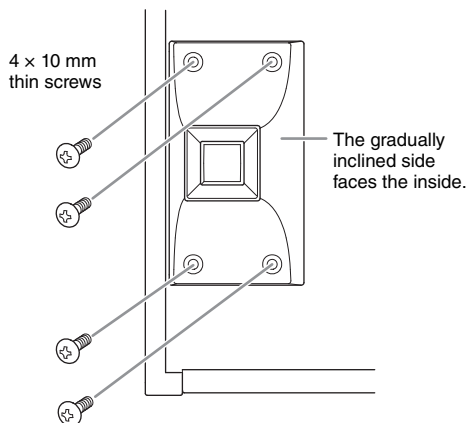
2-1. Install and tighten four screws on each leg, starting with one of the front legs.

6 × 40 mm fixing screws

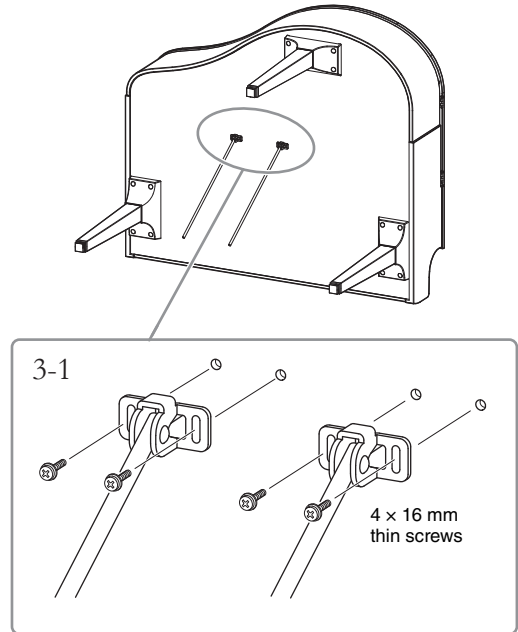


2-2. Slide the leg beams over the legs, and attach them to each of the legs using four thin screws (4 × 10 mm).

Make sure that the gradually inclined side of the leg beams faces the inside of the unit as shown.



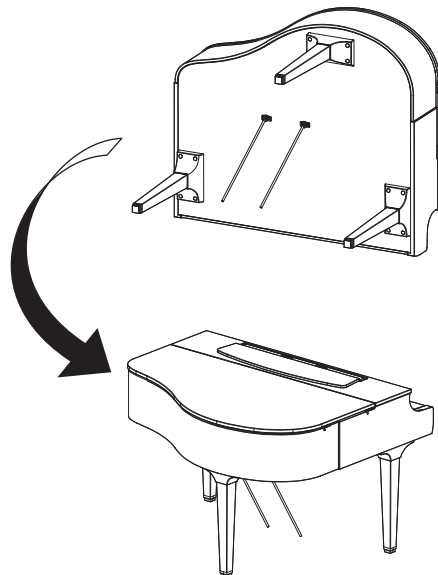
3. Attach the lyre braces.



3-1. Attach the lyre braces using the four thin screws (4 × 16 mm).

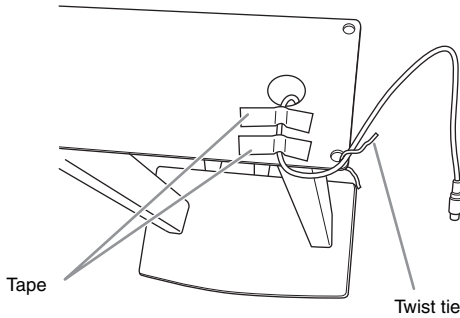
4. Raise the unit to the standing position.

Use the front legs as support to raise the unit.

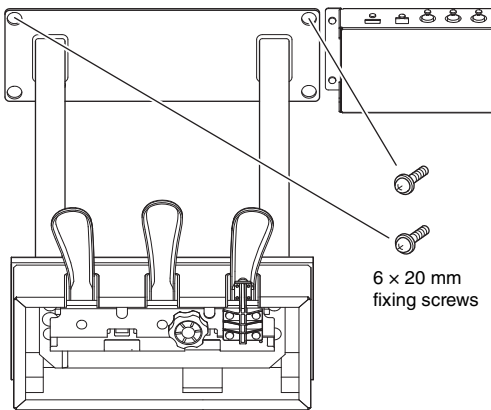


5. Install the pedal box.

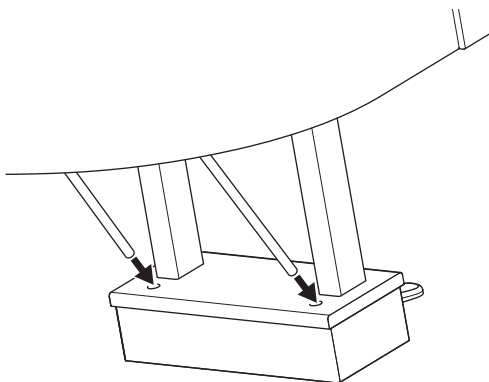
- 5-1. Remove the twist tie and tape that affix the pedal cord to the upper portion of the pedal box.



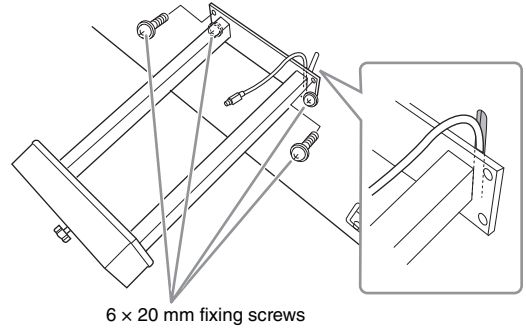
- 5-2. Attach the front side of the pedal box to the bottom of the unit by finger-tightening the two fixing screws (6 × 20 mm).



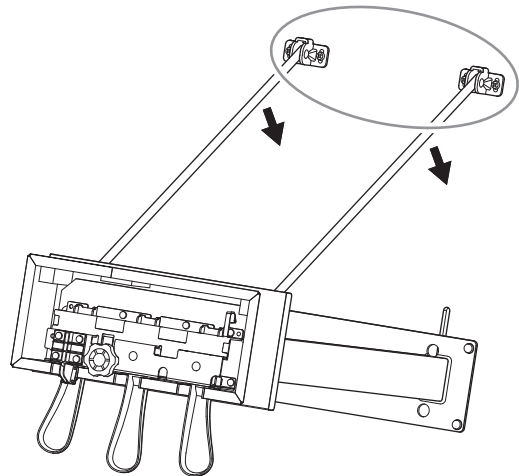
- 5-3. Insert the lyre braces into the pedal box recesses and make sure they fit securely.



- 5-4. Align the cord with the groove on the unit and attach the backside of the pedal box using the two fixing screws (6 × 20 mm), and then securely tighten the two screws of the front side of the pedal box that were attached in step 5-2.

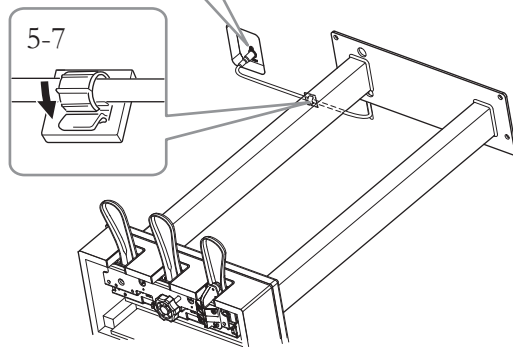
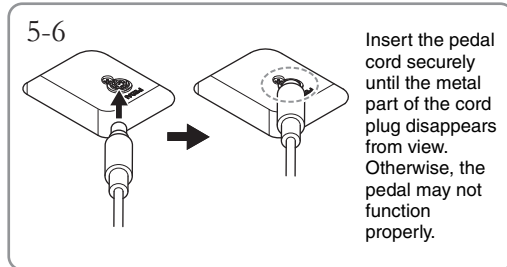


- 5-5. Loosen the four screws that were attached in step 3, and then securely tighten the four screws again while pushing the lyre braces in the direction of arrows as illustrated.



5-6. Insert the pedal cord plug into the pedal connector. Insert the plug so the arrow side faces front (toward the keyboard).

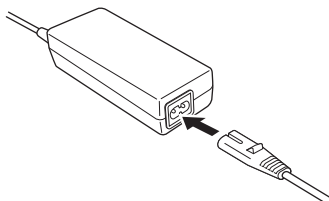
If the plug will not go in easily, do not force it. Double-check the orientation of the plug, then try again.



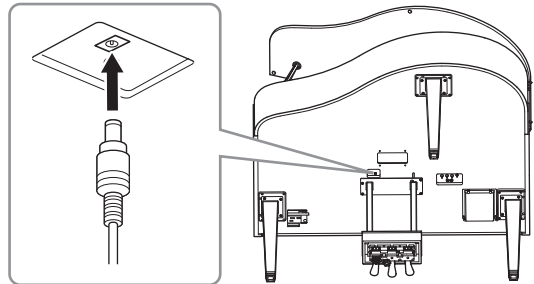
5-7. Attach the cord holder to the bottom of the main unit as shown, then clip the holder around the cord.

6. Connect the AC adaptor.

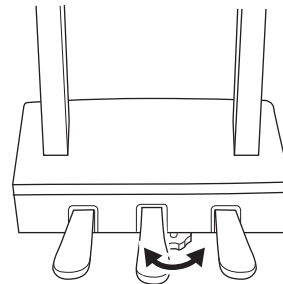
6-1. Connect one end of the power cord to the AC adaptor.



6-2. Insert the DC plug of the AC adaptor into the DC IN jack.

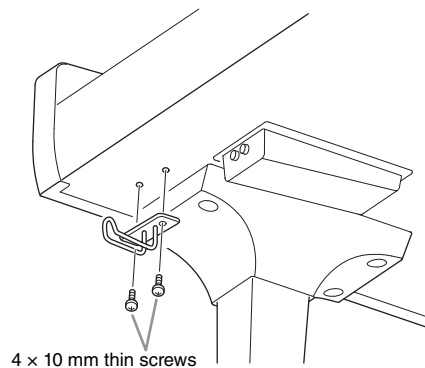


7. Rotate the adjuster until it comes in firm contact with the floor surface.



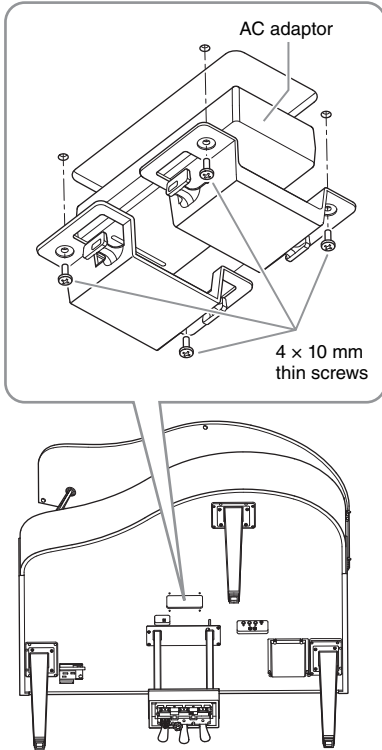
8. Attach the headphone hanger.

Attach the headphone hanger using two thin screws (4 × 10 mm) as shown in the illustration.



9. If desired, you can attach the AC adaptor to the bottom of the unit by using the adaptor holders.

For specific instructions, refer to the leaflet enclosed with the adaptor holders.



CAUTION

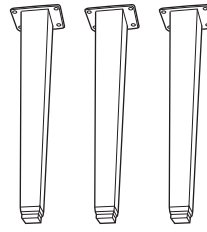
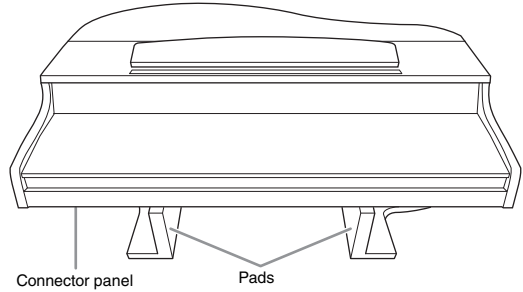
To disassemble the unit, reverse the assembly sequence. Failure to do so can result in damage to the instrument or personal injury. In particular, if you lay down the main unit without detaching the pedal box, the pedals will break.

CLP-765GP Assembly

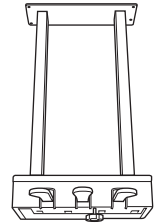
Remove all parts from the package and make sure you have all of the items.

Main unit

To prevent damage to the connector panels located at the bottom of main unit, make sure to place main unit on the Styrofoam pads. Also, make sure that the pads do not touch the connector panels.



Legs

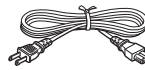


Pedal box



Cord holder

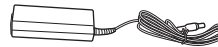
Bundled pedal cord inside. The pedals are covered with vinyl covers when shipped from the factory. Before starting the assembly, please make sure to remove the cover from the damper pedal.



Power cord



6 x 40 mm fixing screws x 12



AC adaptor



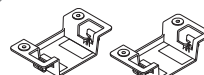
6 x 20 mm fixing screws x 4



Headphone hanger



4 x 10 mm thin screws x 2



Adaptor holders



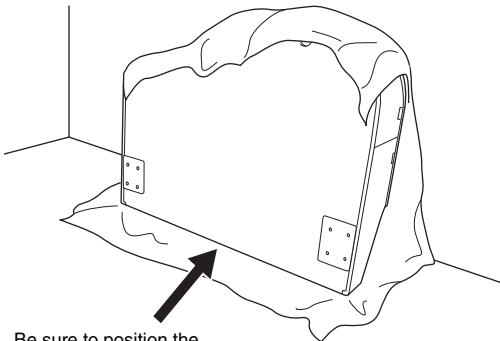
4 x 10 mm thin screws x 4

The power cord and AC adaptor may not be included, or may look different from the illustration above, depending on your particular area. Please check with your Yamaha dealer.

1. Lean the unit against the wall as shown below.

CAUTION

Be careful not to pinch your fingers.



Be sure to position the keyboard side on the bottom.

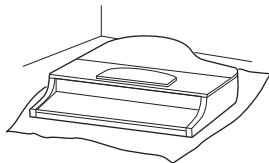
1-1. Spread a large soft cloth, such as a blanket, as shown to protect the floor and wall surfaces.

1-2. Lean the main unit against the wall with the key cover closed and the keyboard side on the bottom.

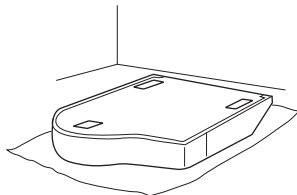
NOTICE

Do not place the main unit as shown in the illustration here.

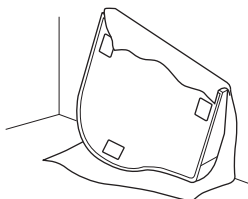
Incorrect



Incorrect

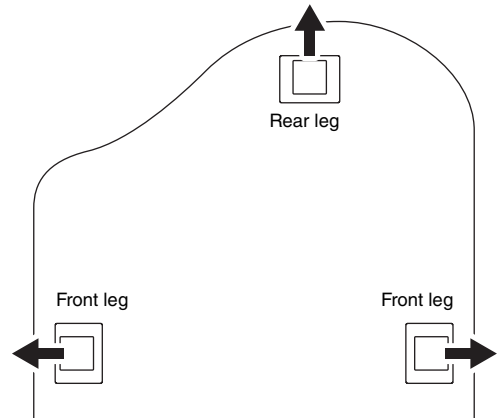


Incorrect

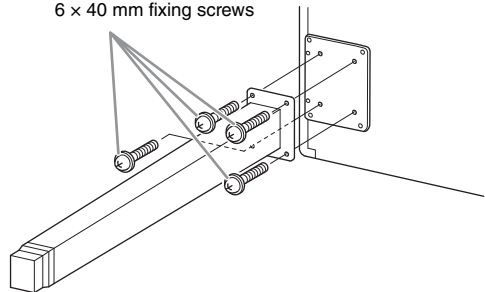


2. Attach two front legs and a rear leg.

Refer to the diagram below to verify the orientation of the legs.



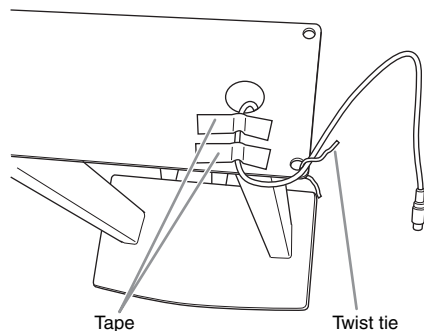
6 x 40 mm fixing screws



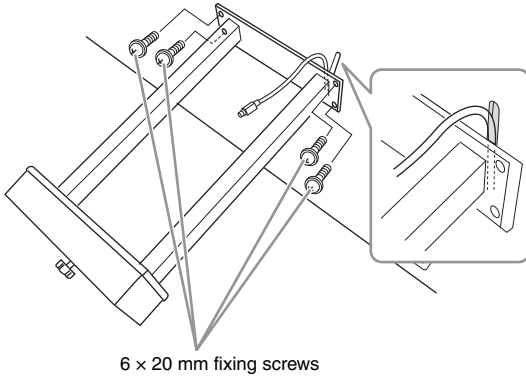
2-1. Install and tighten four screws on each leg, starting with one of the front legs.

3. Install the pedal box.

3-1. Remove the twist tie that affixes the pedal cord to the upper portion of the pedal box.



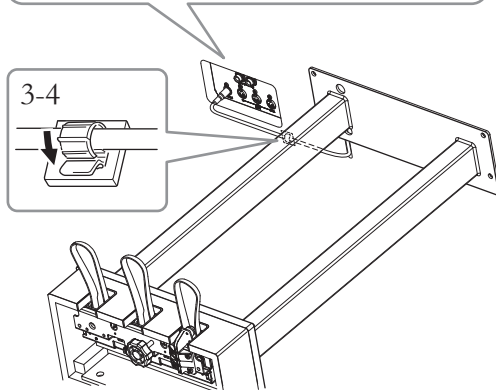
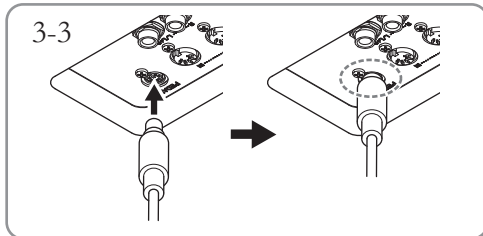
- 3-2. Align the cord with the groove on the unit, and attach the pedal box using four screws.



- 3-3. Insert the pedal cord plug into the pedal connector. Insert the plug so the arrow side faces front (toward the keyboard). If the plug will not go in easily, do not force it. Double-check the orientation of the plug, then try again.

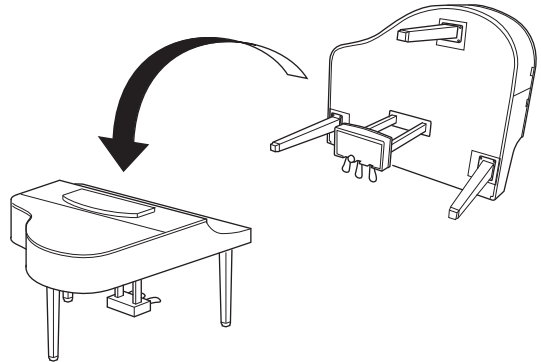
Insert the pedal cord securely until the metal part of the cord plug disappears from view. Otherwise, the pedal may not function properly.

- 3-4. Attach the cord holder to the bottom of the main unit as shown, then clip the holder around the cord.



4. Raise the unit to the standing position.

Use the front legs as support to raise the unit.

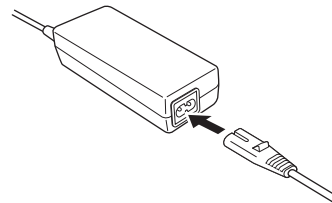


CAUTION

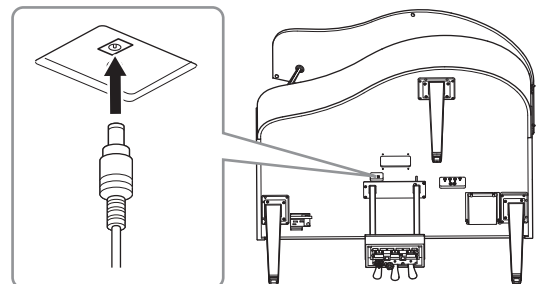
Be careful not to pinch your fingers. When you raise the unit, do not hold the key cover.

5. Connect the AC adaptor.

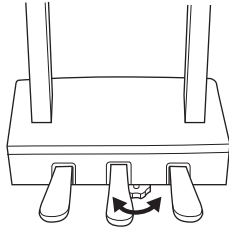
- 5-1. Connect one end of the power cord to the AC adaptor.



- 5-2. Insert the DC plug of the AC adaptor into the DC IN jack.

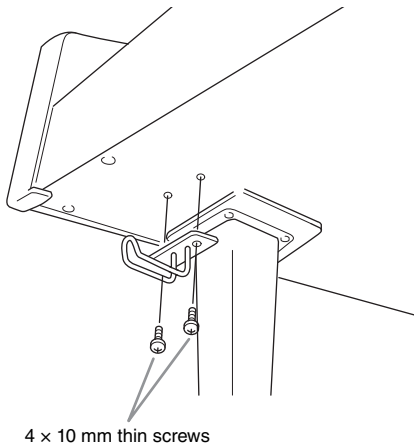


- 6. Rotate the adjuster until it comes in firm contact with the floor surface.**



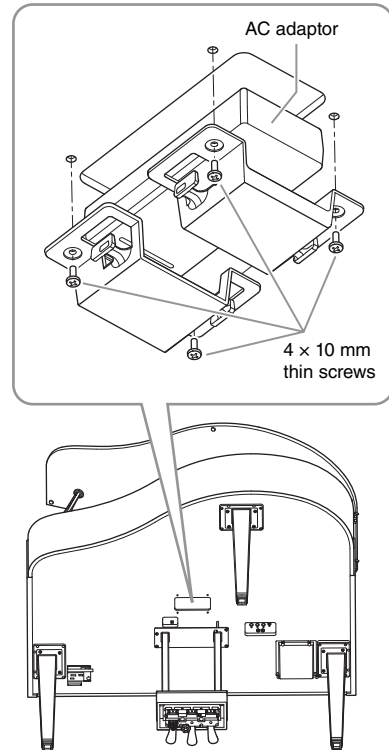
- 7. Attach the headphone hanger.**

Attach the headphone hanger using two thin screws (4 x10 mm) as shown in the illustration.



- 8. If desired, you can attach the AC adaptor to the bottom of the unit by using the adaptor holders.**

For specific instructions, refer to the leaflet enclosed with the adaptor holders.



Transporting

If you move to another location, you can transport the instrument along with other belongings. You can move the unit as it is (assembled) or you can disassemble the unit down to the condition it was in when you first took it out of the box. Transport the keyboard horizontally. Do not lean it up against a wall or stand it up on its side. Do not subject the instrument to excessive vibration or shock. When transporting the assembled instrument, make sure all screws are properly tightened and have not been loosened by moving the instrument.

Specifications

Specifications (CLP-785, CLP-775, CLP-745, CLP-735)

Refer to page 137 for specifications of the CLP-795GP and CLP-765GP.

Items			CLP-785	CLP-775	CLP-745	CLP-735
Product Name			Digital Piano			
Size/Weight	Width [For models with polished finish]		1461 mm (57-1/2") [1467 mm (57-3/4")]	1461 mm (57-1/2") [1466 mm (57-11/16")]		
	Height [For models with polished finish]	With music rest closed	1027 mm (40-7/16") [1029 mm (40-1/2")]	967 mm (38-1/16") [970 mm (38-3/16")]	927 mm (36-1/2") [930 mm (36-5/8")]	
		With music rest raised		1136 mm (44-3/4") [1137 mm (44-3/4")]	1096 mm (43-1/8") [1097 mm (43-3/16")]	1081 mm (42-9/16") [1082 mm (42-5/8")]
	Depth [For models with polished finish]		476 mm (18-3/4") [477 mm (18-3/4")]	465 mm (18-5/16") [465 mm (18-5/16")]	459 mm (18-1/16") [459 mm (18-1/16")]	
	Weight [For models with polished finish]		84 kg (185 lb, 3 oz) [87 kg (191 lb, 13 oz)]	71 kg (156 lb, 8 oz) [74 kg (163 lb, 2 oz)]	60 kg (132 lb, 4 oz) [63 kg (138 lb, 14 oz)]	57 kg (125 lb, 11 oz) [60 kg (132 lb, 4 oz)]
Control Interface	Keyboard	Number of Keys	88			
		Type	GrandTouch Keyboard: wooden keys (white only), synthetic ebony and ivory key tops, escapement		GrandTouch-S Keyboard: wooden keys (white only), synthetic ebony and ivory key tops, escapement	GrandTouch-S Keyboard: synthetic ebony and ivory key tops, escapement
		88-key Linear Graded Hammers	Yes		—	
		Counter weight	Yes	—		
		Touch Response	Hard2/Hard1/Medium/Soft1/Soft2/Fixed			
	Pedal	Number of Pedals	3: Damper (with Half-pedal function), Sostenuto, Soft			
		Assignable Functions	Sustain (Switch), Sustain Continuously, Sostenuto, Soft, Pitch Bend Up, Pitch Bend Down, Rotary Speed, Vibe Rotor, Song Play/Pause			
		GP Response Damper Pedal	Yes		—	
	Display	Type	Full Dots LCD			
		Size	128 × 64 dots			
		Language	English, Japanese			
	Panel	Type	Touch sensors		Buttons	
		Language	English			
Cabinet	Key Cover Style		Folding	Sliding		
	Music Rest		Yes			
	Music Braces		Yes			
Voices	Tone Generation	Piano Sound	Yamaha CFX, Bösendorfer Imperial			
		Binaural Sampling	Yes ("CFX Grand" and "Bösendorfer" only)			
	Piano Effects	VRM	Yes			
		Grand Expression Modeling	Yes			
		Key-off Samples	Yes			
		Smooth Release	Yes			
	Polyphony (max.)		256			
	Preset	Number of Voices	53 Voices + 14 Drum/SFX Kits + 480 XG Voices	38 Voices		
	Compatibility		XG (GM), GS (for Song playback), GM2 (for Song playback)	—		
Effects	Types	Reverb	6 types			
		Chorus	3 types			
		Brilliance	7 types + User			
		Effect	12 types			

Items			CLP-785	CLP-775	CLP-745	CLP-735
Effects	Types	Intelligent Acoustic Control (IAC)	Yes			
		Stereophonic Optimizer	Yes			
	Functions	Dual	Yes			
		Split	Yes			
		Duo	Yes			
Songs (MIDI)	Preset	Number of Preset Songs	25 Voice Demo Songs + 50 Classics + 303 Lesson Songs	21 Voice Demo Songs + 50 Classics + 303 Lesson Songs		
	Recording	Number of Songs	250			
		Number of Tracks	16			
		Data Capacity	Approx. 500 KB/Song			
	Playback	Data Capacity	Approx. 500 KB/Song			
	Format	Playback	SMF (Format 0, Format 1)			
		Recording	SMF (Format 0)			
Songs (Audio)	Recording Time (max.)		80 minutes/Song			
	Format	Playback	.wav (44.1 kHz sample rate, 16-bit resolution, stereo)			
		Recording	.wav (44.1 kHz sample rate, 16-bit resolution, stereo)			
Functions	Rhythms	Number of Rhythms	20			
	Overall Controls	Metronome	Yes			
		Tempo Range	5 – 500			
		Transpose	-12 – 0 – +12			
		Tuning	414.8 – 440.0 – 466.8 Hz (approx. 0.2 Hz increments)			
		Scale Type	7 types			
		USB audio interface	44.1 kHz, 24 bit, stereo			
	Miscellaneous	Piano Room	Yes			
Bluetooth (May not have this functionality depending on the country in which you purchased the product.)	Audio	Supported profile	A2DP			—
		Compatible codec	SBC			—
	MIDI	Comply with Bluetooth Low Energy MIDI Specification				—
	Bluetooth version	4.2				—
	Wireless output	Bluetooth Class 2				—
	Maximum communication distance	Approx. 10 m				—
	Radio Frequency (Operational Frequency)	2402 – 2480 MHz				—
	Maximum output power (EIRP)	4 dBm				—
	Type of modulation	FHSS				—
Storage and Connectivity	Storage	Internal Memory	Total maximum size approx. 1.4 MB			
		External Drives	USB flash drive			
	Connectivity	DC IN	24 V			16 V
		Headphones	Standard stereo phone jack (× 2)			
		MIDI	[IN] [OUT] [THRU]			
		AUX IN	Stereo Mini			
		AUX OUT	[L/L+R] [R]			
		AUX PEDAL	Yes	—		
		USB TO DEVICE	Yes			
USB TO HOST	Yes					
Sound System	Amplifiers	(50 W + 50 W + 50 W) × 2	(42 W + 50 W + 50 W) × 2	(50 W + 50 W) × 2	30 W × 2	
	Speakers	(16 cm + 8 cm + 2.5 cm (dome) + transducer) × 2, Spruce Cone Speaker	(16 cm + 8 cm + 5 cm + transducer) × 2	(16 cm + 8 cm) × 2	16 cm × 2	

Items		CLP-785	CLP-775	CLP-745	CLP-735
Power Supply	AC Adaptor	PA-500			PA-300C
	Power Consumption	60 W (When using PA-500 AC adaptor)	50 W (When using PA-500 AC adaptor)	40 W (When using PA-500 AC adaptor)	18 W (When using PA-300C AC adaptor)
	Auto Power Off	Yes			
Included Accessories		<ul style="list-style-type: none"> • Owner's Manual • Warranty* • "50 Classical Music Masterpieces" Music Book • Online Member Product Registration • Bench* • (CLP-785, CLP-775, CLP-745) Power cord*/AC adaptor* PA-500 • (CLP-735) Power cord*/AC adaptor* PA-300C <p>*May not be included depending on your area. Check with your Yamaha dealer.</p>			
Separately Sold Accessories (May not be available depending on your area.)		<ul style="list-style-type: none"> • Headphones HPH-150, HPH-100, HPH-50 • (CLP-785) Footswitches FC4A, FC5 • (CLP-785) Foot controller FC7 • (CLP-785, CLP-775, CLP-745) AC adaptor PA-500 • (CLP-735) AC adaptor PA-300C • USB Wireless LAN Adaptor UD-WL01 • Wireless MIDI Adaptor MD-BT01, UD-BT01 			

*The contents of this manual apply to the latest specifications as of the publishing date. To obtain the latest manual, access the Yamaha website then download the manual file. Since specifications, equipment or separately sold accessories may not be the same in every locale, please check with your Yamaha dealer.

Specifications (CLP-795GP, CLP-765GP)

Refer to page 134 for specifications of the CLP-785, CLP-775, CLP-745 and CLP-735.

Items			CLP-795GP	CLP-765GP
Product Name			Digital Piano	
Size/Weight	Width		1430 mm (56-5/16")	
	Height	With music rest closed	932 mm (36-11/16")	
		With music rest raised	1103 mm (43-7/16")	
	Height with lid up		1577 mm (62-1/16")	1400 mm (55-1/8")
	Depth		1237 mm (48-11/16")	1147 mm (45-3/16")
	Weight		126 kg (277 lb, 13 oz)	106 kg (233 lb, 11 oz)
Control Interface	Keyboard	Number of Keys	88	
		Type	GrandTouch Keyboard: wooden keys (white only), synthetic ebony and ivory key tops, escapement	GrandTouch-S Keyboard: synthetic ebony and ivory key tops, escapement
		88-key Linear Graded Hammers	Yes	—
		Counter weight	Yes	—
		Touch Response	Hard2/Hard1/Medium/Soft1/Soft2/Fixed	
	Pedal	Number of Pedals	3: Damper (with Half-pedal function), Sostenuto, Soft	
		Assignable Functions	Sustain (Switch), Sustain Continuously, Sostenute, Soft, Pitch Bend Up, Pitch Bend Down, Rotary Speed, Vibe Rotor, Song Play/Pause	
		GP Response Damper Pedal	Yes	—
	Display	Type	Full Dots LCD	
		Size	128 × 64 dots	
		Language	English, Japanese	
	Panel	Type	Touch sensors	Buttons
		Language	English	
	Cabinet	Key Cover Style		Sliding
Music Rest		Yes		
Music Braces		Yes		
Voices	Tone Generation	Piano Sound	Yamaha CFX, Bösendorfer Imperial	
		Binaural Sampling	Yes ("CFX Grand" and "Bösendorfer" only)	
	Piano Effect	VRM	Yes	
		Grand Expression Modeling	Yes	
		Key-off Samples	Yes	
		Smooth Release	Yes	
	Polyphony (max.)		256	
	Preset	Number of Voices	53 Voices + 14 Drum/SFX Kits + 480 XG Voices	38 Voices
	Compatibility		XG (GM), GS (for Song playback), GM2 (for Song playback)	—
	Effects	Types	Reverb	6 types
Chorus			3 types	
Brilliance			7 types + User	
Effect			12 types	
Intelligent Acoustic Control (IAC)			Yes	
Stereophonic Optimizer			Yes	
Functions		Dual	Yes	
		Split	Yes	
		Duo	Yes	

Items			CLP-795GP	CLP-765GP	
Songs (MIDI)	Preset	Number of Preset Songs	25 Voice Demo Songs + 50 Classics + 303 Lesson Songs	21 Voice Demo Songs + 50 Classics + 303 Lesson Songs	
	Recording	Number of Songs	250		
		Number of Tracks	16		
		Data Capacity	Approx. 500 KB/Song		
	Playback	Data Capacity	Approx. 500 KB/Song		
	Format	Playback	SMF (Format 0, Format 1)		
Recording		SMF (Format 0)			
Songs (Audio)	Recording Time (max.)		80 minutes/Song		
	Format	Playback	.wav (44.1 kHz sample rate, 16-bit resolution, stereo)		
		Recording	.wav (44.1 kHz sample rate, 16-bit resolution, stereo)		
Functions	Rhythms	Number of Rhythms	20		
	Overall Controls	Metronome	Yes		
		Tempo Range	5 – 500		
		Transpose	-12 – 0 – +12		
		Tuning	414.8 – 440.0 – 466.8 Hz (approx. 0.2 Hz increments)		
		Scale Type	7 types		
		USB audio interface	44.1 kHz, 24 bit, stereo		
	Miscellaneous	Piano Room	Yes		
Bluetooth (May not have this functionality depending on the country in which you purchased the product.)	Audio	Supported profile	A2DP		
		Compatible codec	SBC		
	MIDI		Comply with Bluetooth Low Energy MIDI Specification		
	Bluetooth version		4.2		
	Wireless output		Bluetooth Class 2		
	Maximum communication distance		Approx. 10 m		
	Radio Frequency (Operational Frequency)		2402 – 2480 MHz		
	Maximum output power (EIRP)		4 dBm		
	Type of modulation		FHSS		
Storage and Connectivity	Storage	Internal Memory	Total maximum size approx. 1.4 MB		
		External Drives	USB flash drive		
	Connectivity	DC IN	24 V		
		Headphones	Standard stereo phone jack (× 2)		
		MIDI	[IN] [OUT] [THRU]		
		AUX IN	Stereo Mini		
		AUX OUT	[L/L+R] [R]		
		AUX PEDAL	Yes	—	
		USB TO DEVICE	Yes		
USB TO HOST	Yes				
Sound System	Amplifiers		(50 W + 50 W + 50 W) × 2	(50 W + 42 W) × 2	
	Speakers		(16 cm + 8 cm + 2.5 cm (dome) + transducer) × 2, Spruce Cone Speaker	(16 cm + 5 cm) × 2	
Power Supply	AC Adaptor		PA-500		
	Power Consumption		60 W (When using PA-500 AC adaptor)	30 W (When using PA-500 AC adaptor)	
	Auto Power Off		Yes		
Included Accessories			<ul style="list-style-type: none"> • Owner's Manual • Warranty* • "50 Classical Music Masterpieces" Music Book • Online Member Product Registration • Bench* • Power cord*/AC adaptor* PA-500 <p>*May not be included depending on your area. Check with your Yamaha dealer.</p>		

Items	CLP-795GP	CLP-765GP
Separately Sold Accessories (May not be available depending on your area.)	<ul style="list-style-type: none"> • Headphones HPH-150, HPH-100, HPH-50 • (CLP-795GP) Footswitches FC4A, FC5 • (CLP-795GP) Foot controller FC7 • AC adaptor PA-500 • USB Wireless LAN Adaptor UD-WL01 • Wireless MIDI Adaptor MD-BT01, UD-BT01 	

*The contents of this manual apply to the latest specifications as of the publishing date. To obtain the latest manual, access the Yamaha website then download the manual file. Since specifications, equipment or separately sold accessories may not be the same in every locale, please check with your Yamaha dealer.

Index

Numerics

50 Classical 44, 109

A

AB Repeat 50
AC adaptor 15
Accesspoint Mode 84, 103
Assembly 115
Audio Loopback 76, 101
Audio Recording 54
Audio Song 43
Auto Backlight Off 101
Auto Power Off 17, 101
Aux Assign 98

B

Backup 104
Backup Setting 104
Bass 95
Bell 95
Binaural Sampling 22
Bluetooth 78, 80, 97, 142
Body Resonance (Res.) 28
Brightness 28
Brilliance 33

C

Chorus 34
Chorus Type List 90
Computer 76
Computer-related Operations 8
Connectors 71
Contrast 101
Convert 69
Copy 68

D

Damper Noise 28, 29
Damper pedal 23
Damper Resonance (Res.) 28
Data List 8
Delete 67
Demo 32
Detailed Settings 86
Dual 35
Dual/Split 37
Duo 38
Duplex Scale 29
Duplex Scale Resonance (Res.) 28

E

Edit (Song) 93
Edit (Voice) 88
Effect 34
Effect Depth 88
Effect Type List 90
Ending 42
EQ 34

F

Factory Reset 105
Fast forward 46
File Operation 65
Format (Song) 43
Format (USB flash drive) 100

G

GP Response Damper Pedal 23
Grand Expression 29
Grand Expression Modeling 29

H

Half Pedal Point 29, 98
Half-pedal 23
Headphones 21

I

Infrastructure Mode 103
Initial Setup 100
Intelligent Acoustic Control (IAC) 21
Intro 42

K

Key cover 15, 17

L

Language 101
Lesson 44, 109
Lid 20
Lid Position 28
Local Control 99

M

Master Tune 28
MASTER VOLUME 21
Message List 111
Metronome 39
Metronome/Rhythm menu 95
MIDI 99

MIDI Recording	54
MIDI Reference	8
MIDI Song	43
MIDI to Audio	69
Move	68
Music Rest	18

N

Network	81
---------------	----

O

Octave	88
--------------	----

P

Paring	78
Part Cancel	48
Pedal	23, 98
Pedal Function List	91
Piano Room	27
Piano Setting	87
Pitch Bend	98
Playback (Rhythm)	42
Playback (Song)	44
Power	15
Preset Voice List	106

R

Recording	54
Recording menu	96
Rename	70
Repeat	49
Restore	105
Reverb	28, 34, 87
Reverb Type List	90
Rewind	46
Rhythm	42
Rhythm List	110

S

Save (Backup file)	104
Scale Tune	97
Smart Device	77
Smart Device Connection Manual	8
Smart Pianist	8
Soft pedal	23
Song	43
Song category	44
Song List	109
Song menu	92
Song Repeat	51
Sostenuto pedal	23
Sound	98

Speaker	100
Split	36
Split Point	36
Stereophonic Optimizer	22
String Resonance (Res.)	28
System menu	97

T

Tempo	39
Tempo (Song)	47
Time signature	40
Touch	28, 97
Touch Panel Sound	101
Track	57
Transpose (Keyboard)	87
Transpose (Song)	92
Troubleshooting	113
Tuning	97

U

USB Audio Interface	76
USB Autoload	100
USB flash drive	74
USB Format	100
USB Properties	100
User	44
Utility	100

V

Version	101
Voice	30
Voice Demo Song List	108
Voice Edit	88
Voice List	106
Voice menu	87
Volume	21
Volume (Audio Song)	52
Volume (Metronome)	95
Volume (MIDI Song)	52
Volume balance	52
VRM	28, 29

W

Wireless LAN	81, 102
Wireless LAN Option	103
WPS	82

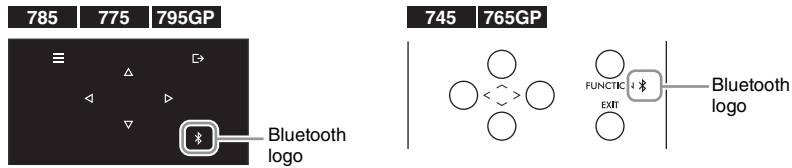
X

XG	30, 31
----------	--------

About Bluetooth

Bluetooth capability

The models CLP-785, CLP-775, CLP-745, CLP-795GP and CLP-765GP are equipped with Bluetooth functionality; however, even these models may not support Bluetooth, depending on the country in which you purchased the product. If the Bluetooth logo is shown or printed on the control panel, this means that the product is equipped with Bluetooth functionality.



- Bluetooth is a technology for wireless communication between devices within an area of about 10 meters (33 ft.) employing the 2.4 GHz frequency band.

■ Handling Bluetooth communications

- The 2.4 GHz band used by Bluetooth compatible devices is a radio band shared by many types of equipment. While Bluetooth compatible devices use a technology minimizing the influence of other components using the same radio band, such influence may reduce the speed or distance of communications and in some cases interrupt communications.
- The speed of signal transfer and the distance at which communication is possible differs according to the distance between the communicating devices, the presence of obstacles, radio wave conditions and the type of equipment.
- Yamaha does not guarantee all wireless connections between this unit and devices compatible with Bluetooth function.

MEMO

For models equipped with Bluetooth / Pour les modèles équipés de la fonctionnalité Bluetooth

For U.S.A.

This transmitter must not be co-located or operated in conjunction with any other antenna or transmitter.

This equipment complies with FCC radiation exposure limits set forth for an uncontrolled environment and meets the FCC radio frequency (RF) Exposure Guidelines. This equipment has very low levels of RF energy that is deemed to comply without testing of specific absorption rate (SAR).

For CANADA

This equipment complies with IC radiation exposure limits set forth for an uncontrolled environment and meets RSS-102 of the IC radio frequency (RF) Exposure rules. This equipment has very low levels of RF energy that is deemed to comply without testing of specific absorption rate (SAR).

Cet équipement est conforme aux limites d'exposition aux rayonnements énoncées pour un environnement non contrôlé et respecte les règles d'exposition aux fréquences radioélectriques (RF) CNR-102 de l'IC. Cet équipement émet une énergie RF très faible qui est considérée comme conforme sans évaluation du débit d'absorption spécifique (DAS).

This device complies with Industry Canada's licence-exempt RSSs. Operation is subject to the following two conditions:

- (1) This device may not cause interference; and
- (2) This device must accept any interference, including interference that may cause undesired operation of the device.

Le présent appareil est conforme aux CNR d'Industrie Canada applicables aux appareils radio exempts de licence. L'exploitation est autorisée aux deux conditions suivantes :

- (1) l'appareil ne doit pas produire de brouillage;
- (2) l'utilisateur de l'appareil doit accepter tout brouillage radioélectrique subi, même si le brouillage est susceptible d'en compromettre le fonctionnement.

For EU countries

BG Bulgarian

ОПРОСТЕНА ЕС ДЕКЛАРАЦИЯ ЗА СЪОТВЕТСТВИЕ

C настоящото Yamaha Music Europe GmbH декларира, че този тип радиосъоръжение [CLP-785, CLP-775, CLP-745, CLP-795GP, CLP-765GP] е в съответствие с Директива 2014/53/ЕС. Цялостният текст на ЕС декларацията за съответствие може да се намери на следния интернет адрес:

<https://europe.yamaha.com/en/support/compliance/doc.html>

ES Spanish

DECLARACIÓN UE DE CONFORMIDAD SIMPLIFICADA

Por la presente, Yamaha Music Europe GmbH declara que el tipo de equipo radioeléctrico [CLP-785, CLP-775, CLP-745, CLP-795GP, CLP-765GP] es conforme con la Directiva 2014/53/UE. El texto completo de la declaración UE de conformidad está disponible en la dirección Internet siguiente:

<https://europe.yamaha.com/en/support/compliance/doc.html>

CS Czech

ZJEDNODUŠENÉ EU PROHLÁŠENÍ O SHODĚ

Tímto Yamaha Music Europe GmbH prohlašuje, že typ rádiového zařízení [CLP-785, CLP-775, CLP-745, CLP-795GP, CLP-765GP] je v souladu se směrnicí 2014/53/UE. Uplně znění EU prohlášení o shodě je k dispozici na této internetové adrese:

<https://europe.yamaha.com/en/support/compliance/doc.html>

DA Danish

FORENKLET EU-OVERENSSTEMMELSESERKLÆRING

Hermed erklærer Yamaha Music Europe GmbH, at radioudstyrstypen [CLP-785, CLP-775, CLP-745, CLP-795GP, CLP-765GP] er i overensstemmelse med direktiv 2014/53/UE. EU-overensstemmelseserklæringens fulde tekst kan findes på følgende internetadresse:

<https://europe.yamaha.com/en/support/compliance/doc.html>

DE German

VEREINFACHTE EU-KONFORMITÄTSERKLÄRUNG

Hiermit erkläre Yamaha Music Europe GmbH, dass der Funkanlagentyp [CLP-785, CLP-775, CLP-745, CLP-795GP, CLP-765GP] der Richtlinie 2014/53/UE entspricht. Der vollständige Text der EU-Konformitätserklärung ist unter der folgenden Internetadresse verfügbar:

<https://europe.yamaha.com/en/support/compliance/doc.html>

ET Estonian

LIHTSUSTATUD ELI VASTAVUSDEKLARATSIOON

Käesolevaga deklareerib Yamaha Music Europe GmbH, et käesolev raadioseadme tüüp [CLP-785, CLP-775, CLP-745, CLP-795GP, CLP-765GP] vastab direktiivi 2014/53/EL nõuetele. ELi vastavusdeklaratsiooni täielik tekst on kätesaadav järgmisel internetiaadressil:

<https://europe.yamaha.com/en/support/compliance/doc.html>

EL Greek

ΑΠΛΟΥΣΤΕΥΜΕΝΗ ΔΗΛΩΣΗ ΣΥΜΜΟΡΦΩΣΗΣ ΕΕ

Με την παρούσα ο/η Yamaha Music Europe GmbH, δηλώνει ότι ο ραδιοεξοπλισμός [CLP-785, CLP-775, CLP-745, CLP-795GP, CLP-765GP] πληροί την οδηγία 2014/53/ΕΕ. Το πλήρες κείμενο της δήλωσης συμμόρφωσης ΕΕ διατίθεται στην ακόλουθη ιστοσελίδα στο διαδίκτυο:

<https://europe.yamaha.com/en/support/compliance/doc.html>

EN English

SIMPLIFIED EU DECLARATION OF CONFORMITY

Hereby, Yamaha Music Europe GmbH declares that the radio equipment type [CLP-785, CLP-775, CLP-745, CLP-795GP, CLP-765GP] is in compliance with Directive 2014/53/UE. The full text of the EU declaration of conformity is available at the following internet address:

<https://europe.yamaha.com/en/support/compliance/doc.html>

FR French

DECLARATION UE DE CONFORMITE SIMPLIFIEE

Le soussigné, Yamaha Music Europe GmbH, déclare que l'équipement radioélectrique du type [CLP-785, CLP-775, CLP-745, CLP-795GP, CLP-765GP] est conforme à la directive 2014/53/UE. Le texte complet de la déclaration UE de conformité est disponible à l'adresse internet suivante:

<https://europe.yamaha.com/en/support/compliance/doc.html>

HR Croatian

POJEDNOSTAVLJENA EU IZJAVA O SUKLADNOSTI

Yamaha Music Europe GmbH ovime izjavljuje da je radijska oprema tipa [CLP-785, CLP-775, CLP-745, CLP-795GP, CLP-765GP] u skladu s Direktivom 2014/53/UE. Cjeloviti tekst EU izjave o sukladnosti dostupan je na sljedećoj internetskoj adresi:

<https://europe.yamaha.com/en/support/compliance/doc.html>

IT Italian

DICHIARAZIONE DI CONFORMITÀ UE SEMPLIFICATA

Il fabbricante, Yamaha Music Europe GmbH, dichiara che il tipo di apparecchiatura radio [CLP-785, CLP-775, CLP-745, CLP-795GP, CLP-765GP] è conforme alla direttiva 2014/53/UE. Il testo completo della dichiarazione di conformità UE è disponibile al seguente indirizzo Internet:

<https://europe.yamaha.com/en/support/compliance/doc.html>

LV Latvian

VIENKĀRŠOTA ES ATBILSTĪBAS DEKLARĀCIJA

Ar šo Yamaha Music Europe GmbH deklarē, ka radioiekārta [CLP-785, CLP-775, CLP-745, CLP-795GP, CLP-765GP] atbilst Direktīvai 2014/53/ES. Pilns ES atbilstības deklarācijas teksts ir pieejams šādā internetā vietnē:

<https://europe.yamaha.com/en/support/compliance/doc.html>

LT Lithuanian

SUPAPRASTINTA ES ATITIKTIES DEKLARACIJA

Aš, Yamaha Music Europe GmbH, patvirtinu, kad radijo įrenginių tipas [CLP-785, CLP-775, CLP-745, CLP-795GP, CLP-765GP] atitinka Direktyvą 2014/53/ES. Visas ES atitikties deklaracijos tekstas prieinamas šiuo interneto adresu:

<https://europe.yamaha.com/en/support/compliance/doc.html>

HU Hungarian

EGYSZERŰSÍTETT EU-MEGFELELŐSÉGI NYILATKOZAT

Yamaha Music Europe GmbH igazolja, hogy a [CLP-785, CLP-775, CLP-745, CLP-795GP, CLP-765GP] típusú rádióberendezés megfelel a 2014/53/EU irányelvnek. Az EU-megfelelőségi nyilatkozat teljes szövege elérhető a következő internetes címen:

<https://europe.yamaha.com/en/support/compliance/doc.html>

NL Dutch

VEREENVOUDIGDE EU-CONFORMITEITSVERKLARING

Hierbij verklaar ik, Yamaha Music Europe GmbH, dat het type radioapparatuur [CLP-785, CLP-775, CLP-745, CLP-795GP, CLP-765GP] conform is met Richtlijn 2014/53/UE. De volledige tekst van de EU-conformiteitsverklaring kan worden geraadpleegd op het volgende internetadres:

<https://europe.yamaha.com/en/support/compliance/doc.html>

PL Polish

UPROSZCZONA DEKLARACJA ZGODNOŚCI UE

Yamaha Music Europe GmbH niniejszym oświadcza, że typ urządzenia radiowego [CLP-785, CLP-775, CLP-745, CLP-795GP, CLP-765GP] jest zgodny z dyrektywą 2014/53/UE. Pełny tekst deklaracji zgodności UE jest dostępny pod następującym adresem internetowym:

<https://europe.yamaha.com/en/support/compliance/doc.html>

PT Portuguese

DECLARAÇÃO UE DE CONFORMIDADE SIMPLIFICADA

O(a) abaixo assinado(a) Yamaha Music Europe GmbH declara que o presente tipo de equipamento de rádio [CLP-785, CLP-775, CLP-745, CLP-795GP, CLP-765GP] está em conformidade com a Diretiva 2014/53/UE. O texto integral da declaração de conformidade está disponível no seguinte endereço de Internet:

<https://europe.yamaha.com/en/support/compliance/doc.html>

RO Romanian

DECLARAȚIA UE DE CONFORMITATE SIMPLIFICATĂ

Prin prezenta, Yamaha Music Europe GmbH declară că tipul de echipamente radio [CLP-785, CLP-775, CLP-745, CLP-795GP, CLP-765GP] este în conformitate cu Directiva 2014/53/UE. Textul integral al declarației UE de conformitate este disponibil la următoarea adresă internet:

<https://europe.yamaha.com/en/support/compliance/doc.html>

SK Slovak

ZJEDNODUŠENÉ EÚ VYHLÁSENIE O ZHODE

Yamaha Music Europe GmbH týmto vyhlasuje, že rádiové zariadenie typu [CLP-785, CLP-775, CLP-745, CLP-795GP, CLP-765GP] je v súlade so smernicou 2014/53/UE. Uplné EÚ vyhlásenie o zhode je k dispozícii na tejto internetovej adrese:

<https://europe.yamaha.com/en/support/compliance/doc.html>

SL Slovenian

POENOSTAVLJENA IZJAVA EU O SKLADNOSTI

Yamaha Music Europe GmbH potrjuje, da je tip radijske opreme [CLP-785, CLP-775, CLP-745, CLP-795GP, CLP-765GP] skladen z Direktivo 2014/53/UE. Celotno besedilo izjave EU o skladnosti je na voljo na naslednjem spletnem naslovu:

<https://europe.yamaha.com/en/support/compliance/doc.html>

FI Finnish

YKSINKERTAISTETTU EU-VAATIMUSTENMUKAISUUSVAKUUTUS

Yamaha Music Europe GmbH vakuuttaa, että radiolaitetyypit [CLP-785, CLP-775, CLP-745, CLP-795GP, CLP-765GP] on direktiivin 2014/53/UE mukainen. EU-vaatimustenmukaisuusvakuutuksen täysimittainen teksti on saatavilla seuraavassa internetosoitteessa:

<https://europe.yamaha.com/en/support/compliance/doc.html>

SV Swedish

FÖRENKLAD EU-FÖRSÄKRAN OM ÖVERENSSTÄMMELSE

Härmed försäkrar Yamaha Music Europe GmbH att denna typ av radioutrustning [CLP-785, CLP-775, CLP-745, CLP-795GP, CLP-765GP] överensstämmer med direktiv 2014/53/UE. Den fullständiga texten till EU-försäkran om överensstämmelse finns på följande webbadress:

<https://europe.yamaha.com/en/support/compliance/doc.html>

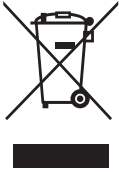
TR Turkey

BASİTLEŞTİRİLMİŞ AVRUPA BİRLİĞİ UYGUNLUK BİLDİRİMİ

İşbu belge ile, Yamaha Music Europe GmbH, radyo cihaz tipinin [CLP-785, CLP-775, CLP-745, CLP-795GP, CLP-765GP], Direktif 2014/53/AB'ye uygunluğunu beyan eder. AB uyumu beyanının tam metni aşağıdaki internet adresinden edinilebilir:

<https://europe.yamaha.com/en/support/compliance/doc.html>

Information for users on collection and disposal of old equipment:



This symbol on the products, packaging, and/or accompanying documents means that used electrical and electronic products should not be mixed with general household waste.

For proper treatment, recovery and recycling of old products, please take them to applicable collection points, in accordance with your national legislation.

By disposing of these products correctly, you will help to save valuable resources and prevent any potential negative effects on human health and the environment which could otherwise arise from inappropriate waste handling.

For more information about collection and recycling of old products, please contact your local municipality, your waste disposal service or the point of sale where you purchased the items.

For business users in the European Union:

If you wish to discard electrical and electronic equipment, please contact your dealer or supplier for further information.

Information on Disposal in other Countries outside the European Union:

This symbol is only valid in the European Union. If you wish to discard these items, please contact your local authorities or dealer and ask for the correct method of disposal.

(weee_eu_en_02)

Informations concernant la collecte et le traitement des déchets d'équipements électriques et électroniques



Le symbole sur les produits, l'emballage et/ou les documents joints signifie que les produits électriques ou électroniques usagés ne doivent pas être mélangés avec les déchets domestiques habituels.

Pour un traitement, une récupération et un recyclage appropriés des déchets d'équipements électriques et électroniques, veuillez les déposer aux points de collecte prévus à cet effet, conformément à la réglementation nationale.

En vous débarrassant correctement des déchets d'équipements électriques et électroniques, vous contribuerez à la sauvegarde de précieuses ressources et à la prévention de potentiels effets négatifs sur la santé humaine qui pourraient advenir lors d'un traitement inapproprié des déchets.

Pour plus d'informations à propos de la collecte et du recyclage des déchets d'équipements électriques et électroniques, veuillez contacter votre municipalité, votre service de traitement des déchets ou le point de vente où vous avez acheté les produits.

Pour les professionnels dans l'Union européenne :

Si vous souhaitez vous débarrasser des déchets d'équipements électriques et électroniques, veuillez contacter votre vendeur ou fournisseur pour plus d'informations.

Informations sur la mise au rebut dans d'autres pays en dehors de l'Union européenne :

Ce symbole est seulement valable dans l'Union européenne. Si vous souhaitez vous débarrasser de déchets d'équipements électriques et électroniques, veuillez contacter les autorités locales ou votre fournisseur et demander la méthode de traitement appropriée.

(weee_eu_fr_02)

Apache License 2.0

Copyright (c) 2009-2018 Arm Limited. All rights reserved.

SPDX-License-Identifier: Apache-2.0

Licensed under the Apache License, Version 2.0 (the License); you may not use this file except in compliance with the License.

You may obtain a copy of the License at www.apache.org/licenses/LICENSE-2.0

Unless required by applicable law or agreed to in writing, software distributed under the License is distributed on an AS IS BASIS, WITHOUT WARRANTIES OR CONDITIONS OF ANY KIND, either express or implied.

See the License for the specific language governing permissions and limitations under the License.

Modified BSD license

COPYRIGHT(c) 2016 STMicroelectronics

Redistribution and use in source and binary forms, with or without modification, are permitted provided that the following conditions are met:

1. Redistributions of source code must retain the above copyright notice, this list of conditions and the following disclaimer.
2. Redistributions in binary form must reproduce the above copyright notice, this list of conditions and the following disclaimer in the documentation and/or other materials provided with the distribution.
3. Neither the name of STMicroelectronics nor the names of its contributors may be used to endorse or promote products derived from this software without specific prior written permission.

THIS SOFTWARE IS PROVIDED BY THE COPYRIGHT HOLDERS AND CONTRIBUTORS "AS IS" AND ANY EXPRESS OR IMPLIED WARRANTIES, INCLUDING, BUT NOT LIMITED TO, THE IMPLIED WARRANTIES OF MERCHANTABILITY AND FITNESS FOR A PARTICULAR PURPOSE ARE DISCLAIMED. IN NO EVENT SHALL THE COPYRIGHT HOLDER OR CONTRIBUTORS BE LIABLE FOR ANY DIRECT, INDIRECT, INCIDENTAL, SPECIAL, EXEMPLARY, OR CONSEQUENTIAL DAMAGES (INCLUDING, BUT NOT LIMITED TO, PROCUREMENT OF SUBSTITUTE GOODS OR SERVICES; LOSS OF USE, DATA, OR PROFITS; OR BUSINESS INTERRUPTION) HOWEVER CAUSED AND ON ANY THEORY OF LIABILITY, WHETHER IN CONTRACT, STRICT LIABILITY, OR TORT (INCLUDING NEGLIGENCE OR OTHERWISE) ARISING IN ANY WAY OUT OF THE USE OF THIS SOFTWARE, EVEN IF ADVISED OF THE POSSIBILITY OF SUCH DAMAGE.



**Important Notice:
U.S. LIMITED WARRANTY for Customers in the United States**

For detailed information about this Yamaha product and warranty service, please either visit the following website address (printable file is available at our website) or contact Customer Service at the address or telephone number identified below.

Website Address:

Yamaha.io/ClavinovaWarranty

Customer Service:

Yamaha Corporation of America
6600 Orangethorpe Avenue, Buena Park, CA 90620-1273
Telephone: 800-854-1569

Important Notice: Guarantee Information for customers in European Economic Area (EEA) and Switzerland

Important Notice: Guarantee Information for customers in EEA* and Switzerland	English
For detailed guarantee information about this Yamaha product, and Pan-EEA* and Switzerland warranty service, please either visit the website address below (Printable file is available at our website) or contact the Yamaha representative office for your country. * EEA: European Economic Area	
Wichtiger Hinweis: Garantie-Information für Kunden in der EWR* und der Schweiz	Deutsch
Für nähere Garantie-Information über dieses Produkt von Yamaha, sowie über den Pan-EWR*- und Schweizer Garantieservice, besuchen Sie bitte entweder die folgend angegebene Internetadresse (eine druckfähige Version befindet sich auch auf unserer Webseite), oder wenden Sie sich an den für Ihr Land zuständigen Yamaha-Vertrieb. *EWR: Europäischer Wirtschaftsraum	
Remarque importante: informations de garantie pour les clients de l'EEE et la Suisse	Français
Pour des informations plus détaillées sur la garantie de ce produit Yamaha et sur le service de garantie applicable dans l'ensemble de l'EEE ainsi qu'en Suisse, consultez notre site Web à l'adresse ci-dessous (le fichier imprimable est disponible sur notre site Web) ou contactez directement Yamaha dans votre pays de résidence. * EEE : Espace Economique Européen	
Belangrijke mededeling: Garantie-informatie voor klanten in de EER* en Zwitserland	Nederlands
Voor gedetailleerde garantie-informatie over dit Yamaha-product en de garantieservice in heel de EER* en Zwitserland, gaat u naar de onderstaande website (u vindt een afdrukbaar bestand op onze website) of neemt u contact op met de vertegenwoordiging van Yamaha in uw land. * EER: Europese Economische Ruimte	
Aviso importante: información sobre la garantía para los clientes del EEE* y Suiza	Español
Para una información detallada sobre este producto Yamaha y sobre el soporte de garantía en la zona EEE* y Suiza, visite la dirección web que se incluye más abajo (la versión del archivo para imprimir esta disponible en nuestro sitio web) o póngase en contacto con el representante de Yamaha en su país. * EEE: Espacio Económico Europeo	
Avviso importante: informazioni sulla garanzia per i clienti residenti nell'EEA* e in Svizzera	Italiano
Per informazioni dettagliate sulla garanzia relativa a questo prodotto Yamaha e l'assistenza in garanzia nei paesi EEA* e in Svizzera, potete consultare il sito Web all'indirizzo riportato di seguito (è disponibile il file in formato stampabile) oppure contattare l'ufficio di rappresentanza locale della Yamaha. * EEA: Area Economica Europea	
Aviso importante: informações sobre as garantias para clientes da AEE* e da Suíça	Português
Para obter uma informação pormenorizada sobre este produto da Yamaha e sobre o serviço de garantia na AEE* e na Suíça, visite o site a seguir (o arquivo para impressão está disponível no nosso site) ou entre em contato com o escritório de representação da Yamaha no seu país. * AEE: Área Económica Europeia	
Σημαντική σημείωση: Πληροφορίες εγγύησης για τους πελάτες στον EOX* και Ελλάδα	Ελληνικά
Για λεπτομερείς πληροφορίες εγγύησης σχετικά με το παρόν προϊόν της Yamaha και την κάλυψη εγγύησης σε όλες τις χώρες του EOX και την Ελλάδα, επισκεφτείτε την παρακάτω ιστοσελίδα (Εκτυπώσιμη μορφή είναι διαθέσιμη στην ιστοσελίδα μας) ή απευθυνθείτε στην αντιπροσωπεία της Yamaha στη χώρα σας. * EOX: Ευρωπαϊκός Οικονομικός Χώρος	
Viktigt: Garantiinformation för kunder i EES-området* och Schweiz	Svenska
För detaljerad information om denna Yamaha-produkt samt garantiservice i hela EES-området* och Schweiz kan du antingen besöka nedanstående webbadress (en utskriftsvänlig fil finns på webbplatsen) eller kontakta Yamahas officiella representant i ditt land. * EES: Europeiska Ekonomiska Samarbetsområdet	
Viktig merknad: Garantiinformasjon for kunder i EØS* og Sveits	Norsk
Detaljert garantiinformasjon om dette Yamaha-produktet og garantiservice for hele EØS-området* og Sveits kan fås enten ved å besøke nettstedene nedenfor (utskriftsversjon finnes på våre nettsider) eller kontakte Yamahas kontoret i landet der du bor. *EØS: Det europeiske økonomiske samarbeidsområdet	
Vigtig oplysning: Garantioplysninger til kunder i EØO* og Schweiz	Dansk
De kan finde detaljerede garantioplysninger om dette Yamaha-produkt og den fælles garantiserviceordning for EØO* (og Schweiz) ved at besøge det websted, der er angivet nedenfor (der findes en fil, som kan udskrives, på vores websted), eller ved at kontakte Yamahas nationale repræsentationskontor i det land, hvor De bor. * EØO: Det Europæiske Økonomiske Område	
Tärkeä ilmoitus: Takuutiedot Euroopan talousalueen (ETA)* ja Sveitsin asiakkaille	Suomi
Tämän Yamaha-tuotteen sekä ETA-alueen ja Sveitsin takuuta koskevat yksityiskohtaiset tiedot saatte alla olevasta nettiosoitteesta. (Tulostettava tiedosto saatavissa sivustollamme.) Voitte myös ottaa yhteyttä paikalliseen Yamaha-edustajaan. *ETA: Euroopan talousalue	
Ważne: Warunki gwarancyjne obowiązujące w EOG* i Szwajcarii	Polski
Aby dowiedzieć się więcej na temat warunków gwarancyjnych tego produktu firmy Yamaha i serwisu gwarancyjnego w całym EOG* i Szwajcarii, należy odwiedzić wskazaną poniżej stronę internetową (Plik gotowy do wydruku znajduje się na naszej stronie internetowej) lub skontaktować się z przedstawicielstwem firmy Yamaha w swoim kraju. * EOG — Europejski Obszar Gospodarczy	
Dôležité oznámení: Záruční informace pro zákazníky v EHS* a ve Švýcarsku	Česky
Podrobné záruční informace o tomto produktu Yamaha a záručním servisu v celém EHS* a ve Švýcarsku naleznete na níže uvedené webové adrese (soubor k tisku je dostupný na našich webových stránkách) nebo se můžete obrátit na zástupce firmy Yamaha ve své zemi. * EHS: Evropský hospodářský prostor	
Fontos figyelmeztetés: Garancia-információk az EGT* területén és Svájcban élő vásárlók számára	Magyar
A jelen Yamaha termékre vonatkozó részletes garancia-információk, valamint az EGT*-re és Svájcra kiterjedő garanciális szolgáltatás tekintetében keresse fel webhelyünket az alábbi címen (a webhelyen nyomtatható fájl is található), vagy pedig lépjen kapcsolatba az országában működő Yamaha képviselői irodával. * EGT: Európai Gazdasági Térség	
Oluline märkus: Garantiiteave Euroopa Majanduspiirkonna (EMP)* ja Šveitsi klientidele	Eesti keel
Täpsem teave saamiseks selle Yamaha toote garantii ning kogu Euroopa Majanduspiirkonna ja Šveitsi garantiiteeninduse kohta, külastage palun veebisaiti alljärgneval aadressil (meie saidil on saadaval printitav fail) või pöörduge Teie regiooni Yamaha esinduse poole. * EMP: Euroopa Majanduspiirkond	
Svarīgs paziņojums: garantijas informācija klientiem EEZ* un Šveicē	Latviešu
Lai saņemtu detalizētu garantijas informāciju par šo Yamaha produktu, kā arī garantijas apkalpošanu EEZ* un Šveicē, lūdzu, apmeklējiet zemāk norādīto tīmekļa vietnes adresi (tīmekļa vietnē ir pieejams drukājams fails) vai sazinieties ar jūsu valsti apkalpojošo Yamaha pārstāvniecību. * EEZ: Eiropas Ekonomikas zona	
Děmesio: informacija dėl garantijos pirkėjams EEE* ir Šveicarijoje	Lietuvių kalba
Jei reikia išsamios informacijos apie šį „Yamaha“ produktą ir jo techninę priežiūrą visoje EEE* ir Šveicarijoje, apsilankykite mūsų svetainėje toliau nurodytu adresu (svetainėje yra spausdintinas failas) arba kreipkitės į „Yamaha“ atstovybę savo šaliai. * EEE – Europos ekonominė erdvė	
Dôležité upozornenie: Informácie o záruke pre zákazníkov v EHP* a Švajčiarsku	Slovenčina
Podrobné informácie o záruke týkajúce sa tohto produktu od spoločnosti Yamaha a garančnom servise v EHP* a Švajčiarsku nájdete na webovej stránke uvedenej nižšie (na našej webovej stránke je k dispozícii súbor na tlač) alebo sa obráťte na zástupcu spoločnosti Yamaha vo svojej krajine. * EHP: Európsky hospodársky priestor	
Pomembno obvestilo: Informacije o garanciji za kupce v EGP* in Švici	Slovenščina
Za podrobnejše informacije o tem Yamahinem izdelku ter garancijskem servisu v celotnem EGP in Švici, obiščite spletno mesto, ki je navedeno spodaj (natiljljiva datoteka je na voljo na našem spletnem mestu), ali se obrnite na Yamahinega predstavnika v svoji državi. * EGP: Evropski gospodarski prostor	
Важно съобщение: Информация за гаранцията за клиенти в ЕИП* и Швейцария	Български език
За подробна информация за гаранцията за този продукт на Yamaha и гаранционното обслужване в паневропейската зона на ЕИП* и Швейцария или посетете посочения по-долу уеб сайт (на нашия уеб сайт има файл за печат), или се свържете с представителния офис на Yamaha във вашата страна. * ЕИП: Европейско икономическо пространство	
Notificare importantă: Informații despre garanție pentru clienții din SEE* și Elveția	Limba română
Pentru informații detaliate privind acest produs Yamaha și serviciul de garanție Pan-SEE* și Elveția, vizitați site-ul la adresa de mai jos (fișierul imprimabil este disponibil pe site-ul nostru) sau contactați biroul reprezentanței Yamaha din țara dumneavoastră. * SEE – Spațiul Economic European	
Važna obavijest: Informacije o jamstvu za države EGP-a i Švicarske	Hrvatski
Za detaljne informacije o jamstvu za ovaj Yamahin proizvod te jamstvenom servisu za cijeli EGP i Švicarsku, molimo Vas da posjetite web-stranicu navedenu u nastavku ili kontaktirate ovlaštenog Yamahinog dobavljača u svojoj zemlji. * EGP: Europski gospodarski prostor	

<https://europe.yamaha.com/warranty/>

For details of products, please contact your nearest Yamaha representative or the authorized distributor listed below.

Pour plus de détails sur les produits, veuillez-vous adresser à Yamaha ou au distributeur le plus proche de vous figurant dans la liste suivante.

NORTH AMERICA

CANADA

Yamaha Canada Music Ltd.
135 Milner Avenue, Toronto, Ontario M1S 3R1,
Canada
Tel: +1-416-298-1311

U.S.A.

Yamaha Corporation of America
6600 Orangethorpe Avenue, Buena Park, CA 90620,
U.S.A.
Tel: +1-714-522-9011

CENTRAL & SOUTH AMERICA

MEXICO

Yamaha de México, S.A. de C.V.
Av. Insurgentes Sur 1647 Piso 9, Col. San José
Insurgentes, Delegación Benito Juárez, México,
D.F., C.P. 03900, México
Tel: +52-55-5804-0600

BRAZIL

Yamaha Musical do Brasil Ltda.
Rua Fidêncio Ramos, 302 – Cj 52 e 54 – Torre B –
Vila Olímpia – CEP 04551-010 – São Paulo/SP,
Brazil
Tel: +55-11-3704-1377

ARGENTINA

**Yamaha Music Latin America, S.A.,
Sucursal Argentina**
Olga Cossettini 1553, Piso 4 Norte,
Madero Este-C1107CEK,
Buenos Aires, Argentina
Tel: +54-11-4119-7000

PANAMA AND OTHER LATIN AMERICAN COUNTRIES/ CARIBBEAN COUNTRIES

Yamaha Music Latin America, S.A.
Edificio Torre Davivienda, Piso: 20
Avenida Balboa, Marbella, Corregimiento de Bella
Vista, Ciudad de Panamá, Rep. de Panamá
Tel: +507-269-5311

EUROPE

THE UNITED KINGDOM/IRELAND

Yamaha Music Europe GmbH (UK)
Sherbourne Drive, Tilbrook, Milton Keynes,
MK7 8BL, U.K.
Tel: +44-1908-366700

GERMANY

Yamaha Music Europe GmbH
Siemensstrasse 22-34, 25462 Rellingen, Germany
Tel: +49-4101-303-0

SWITZERLAND/LIECHTENSTEIN

**Yamaha Music Europe GmbH, Branch
Switzerland in Thalwil**
Seestrasse 18a, 8800 Thalwil, Switzerland
Tel: +41-44-3878080

AUSTRIA/CROATIA/CZECH REPUBLIC/ HUNGARY/ROMANIA/SLOVAKIA/ SLOVENIA

Yamaha Music Europe GmbH, Branch Austria
Schleiergasse 20, 1100 Wien, Austria
Tel: +43-1-60203900

POLAND

Yamaha Music Europe GmbH
Sp.z o.o. Oddział w Polsce
ul. Wielicka 52, 02-657 Warszawa, Poland
Tel: +48-22-880-08-88

BULGARIA

Dinacord Bulgaria LTD.
Bul. Iskarsko Schose 7 Targowski Zentar Ewropa
1528 Sofia, Bulgaria
Tel: +359-2-978-20-25

MALTA

Olimpus Music Ltd.
Valletta Road, Mosta MST9010, Malta
Tel: +356-2133-2093

NETHERLANDS/BELGIUM/ LUXEMBOURG

Yamaha Music Europe, Branch Benelux
Clarissenhof 5b, 4133 AB Vianen, The Netherlands
Tel: +31-347-358040

FRANCE

Yamaha Music Europe
7 rue Ambroise Croizat, Zone d'activités de Pariest,
77183 Croissy-Beaubourg, France
Tel: +33-1-6461-4000

ITALY

Yamaha Music Europe GmbH, Branch Italy
Via Tinelli N.67/69 20855 Gerno di Lesmo (MB),
Italy
Tel: +39-039-9065-1

SPAIN/PORTUGAL

**Yamaha Music Europe GmbH Ibérica, Sucursal
en España**
Ctra. de la Coruña km. 17,200, 28231
Las Rozas de Madrid, Spain
Tel: +34-91-639-88-88

GREECE

Philippos Nakas S.A. The Music House
19th km. Leof. Lavriou 190 02 Peania – Attiki,
Greece
Tel: +30-210-6686260

SWEDEN

**Yamaha Music Europe GmbH Germany filial
Scandinavia**
JA Wettergrensgata 1, 400 43 Göteborg, Sweden
Tel: +46-31-89-34-00

DENMARK

**Yamaha Music Denmark,
Filial of Yamaha Music Europe GmbH, Tyskland**
Generatorvej 8C, ST. TH., 2860 Soborg, Denmark
Tel: +45-44-92-49-00

FINLAND

F-Musiikki Oy
Antaksentie 4
FI-01510 Vantaa, Finland
Tel: +358 (0)96185111

NORWAY

**Yamaha Music Europe GmbH Germany -
Norwegian Branch**
Grini Næringspark 1, 1332 Østerås, Norway
Tel: +47-6716-7800

ICELAND

Hjodfaerahusid Ehf.
Sidumula 20
IS-108 Reykjavik, Iceland
Tel: +354-525-5050

CYPRUS

Nakas Music Cyprus Ltd.
Nikis Ave 2k
1086 Nicosia
Tel: +357-22-511080
Major Music Center
21 Ali Rizia Ave. Ortakoy
P.O.Box 475 Lefkoşa, Cyprus
Tel: (392) 227 9213

RUSSIA

Yamaha Music (Russia) LLC.
Room 37, entrance 7, bld. 7, Kievskaya street,
Moscow, 121059, Russia
Tel: +7-495-626-5005

OTHER EUROPEAN COUNTRIES

Yamaha Music Europe GmbH
Siemensstrasse 22-34, 25462 Rellingen, Germany
Tel: +49-4101-303-0

AFRICA

Yamaha Music Gulf FZE
JAFZA-16, Office 512, P.O.Box 17328,
Jebel Ali FZE, Dubai, UAE
Tel: +971-4-801-1500

MIDDLE EAST

TURKEY

Yamaha Music Europe GmbH
Merkezi Almanya Türkiye İstanbul Şubesi
Mor Sumbul Sokak Varyap Meridian Business
1.Blok No:1 113-114-115
Bati Atasehir Istanbul, Turkey
Tel: +90-216-275-7960

ISRAEL

RBX International Co., Ltd.
P.O Box 10245, Petach-Tikva, 49002
Tel: (972) 3-925-6900

OTHER COUNTRIES

Yamaha Music Gulf FZE
JAFZA-16, Office 512, P.O.Box 17328,
Jebel Ali FZE, Dubai, UAE
Tel: +971-4-801-1500

ASIA

THE PEOPLE'S REPUBLIC OF CHINA

Yamaha Music & Electronics (China) Co., Ltd.
2F, Yunhedasha, 1818 Xinzha-lu, Jingan-qu,
Shanghai, China
Tel: +86-400-051-7700

HONG KONG

Tom Lee Music Co., Ltd.
11/F., Silvercord Tower 1, 30 Canton Road,
Tsimshatsui, Kowloon, Hong Kong
Tel: +852-2737-7688

INDIA

Yamaha Music India Private Limited
P-401, JMD Megapolis, Sector-48, Sohna Road,
Gurugram-122018, Haryana, India
Tel: +91-124-485-3300

INDONESIA

PT. Yamaha Musik Indonesia (Distributor)
Yamaha Music Center Bldg. Jalan Jend. Gatot
Subroto Kav. 4, Jakarta 12930, Indonesia
Tel: +62-21-520-2577

KOREA

Yamaha Music Korea Ltd.
11F, Prudential Tower, 298, Gangnam-daero,
Gangnam-gu, Seoul, 06253, Korea
Tel: +82-2-3467-3300

MALAYSIA

Yamaha Music (Malaysia) Sdn. Bhd.
No.8, Jalan Perbandaran, Kelana Jaya, 47301
Petaling Jaya, Selangor, Malaysia
Tel: +60-3-78039000

SINGAPORE

Yamaha Music (Asia) Private Limited
Block 202 Hougang Street 21, #02-00,
Singapore 530202, Singapore
Tel: +65-6740-9200

TAIWAN

Yamaha Music & Electronics Taiwan Co., Ltd.
2F., No.1, Yuandong Rd., Banqiao Dist.,
New Taipei City 22063, Taiwan (R.O.C.)
Tel: +886-2-7741-8888

THAILAND

Siam Music Yamaha Co., Ltd.
3, 4, 15, 16th Fl., Siam Motors Building,
891/1 Rama 1 Road, Wangmai,
Pathumwan, Bangkok 10330, Thailand
Tel: +66-2215-2622

VIETNAM

Yamaha Music Vietnam Company Limited
15th Floor, Nam A Bank Tower, 201-203 Cach
Mang Thang Tam St., Ward 4, Dist.3,
Ho Chi Minh City, Vietnam
Tel: +84-28-3818-1122

OTHER ASIAN COUNTRIES

[https://asia-latinamerica-mea.yamaha.com/
index.html](https://asia-latinamerica-mea.yamaha.com/index.html)

OCEANIA

AUSTRALIA

Yamaha Music Australia Pty. Ltd.
Level 1, 80 Market Street, South Melbourne,
VIC 3205 Australia
Tel: +61-3-9693-5111

NEW ZEALAND

Music Works LTD
P.O. BOX 6246 Wellesley, Auckland 4680,
New Zealand
Tel: +64-9-634-0099

COUNTRIES AND TRUST

TERRITORIES IN PACIFIC OCEAN

[https://asia-latinamerica-mea.yamaha.com/
index.html](https://asia-latinamerica-mea.yamaha.com/index.html)

Yamaha Global Site
<https://www.yamaha.com/>
Yamaha Downloads
<https://download.yamaha.com/>

Manual Development Group
© 2020 Yamaha Corporation
Published 03/2020 MWMA* *- **B0

VDG2300